

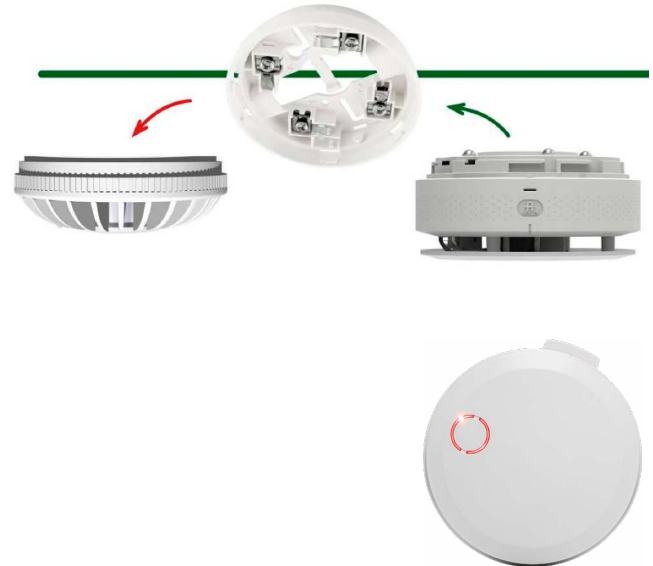


PRODUCT DATASHEET

AutroGuard® Retro spare part detector for replacing Autronica legacy detectors

Features

- Spare part detector used to replace Autronica legacy detectors 1 to 1
- The spare part detector provides the same functionality as the legacy detector it replaces
- Easily mounted onto existing AutoSafe/ Autroprime bases (BWA-100/BWA-101), no need to replace legacy bases
- No software upgrade or re-configuration is necessary
- Provides all detection benefits from AutroGuard® protector V-430
- Fully compatible with AutoSafe versions 3.6 and higher, and all versions of Autroprime



Application/Description

Autronica provides several different variants of spare part detectors specifically intended for replacing legacy detectors. Autronica legacy detectors are simply replaced with the spare part detector. The spare part detector provides the same functionality/ configurability as the legacy detector it replaces. For details, see the documentation for the specific legacy detector.

For details on spare part detector variants and the legacy detectors that can be replaced, see “AutroGuard Retro Spare Part Detector Variants” on the last page of this datasheet.

AutroGuard® multicriteria protectors provide a new generation multicriteria detection technology. Extreme sensor dynamics provide reliable detection that greatly reduces detection time and nuisance alarms, and expands the use to cover even more application areas.

DYFI^{3D} technology

AutroGuard® utilizes *DYFI^{3D}* technology; MultiAngle/ MultiWavelength detection with advanced algorithms analyze the unique signatures for each type of fire and nuisance source in a 3D space, enabling the protector to accurately distinguish between real fires and nuisance alarm sources.

SelfVerify®

The SelfVerify® system function provides a calibrated and automatic self-test every 24 hours. It tests the signal path to the system panel, alarm devices and output units. In this way, the self-test ensures that the protector is able to initiate an alarm when it should, and at the correct sensitivity level according to EN 54 part 5 and 7 throughout its lifetime.

Additionally, an advanced Pulse Response Signal analysis is run every other second, verifying 100 % of the components in the signal chain and 99% of the components in the protector.

The SelfVerify® system function is available for 300 and 500 series only (see “AutroGuard Retro Spare Part Detector Variants”).

Performance Classes

- Clean - for example, laboratories, data rooms etc
- Normal 1 - for example, offices and hospitals etc
- Normal 2- for example, offices and hospitals etc
- Industrial - for example, factories and warehouses etc.

Operation Classes

- MultiSensor (optical detection with heat enhancement)
- Heat only (thermal detection only) - class A1
- MultiSensor with Heat (a combination of optical detection with heat)

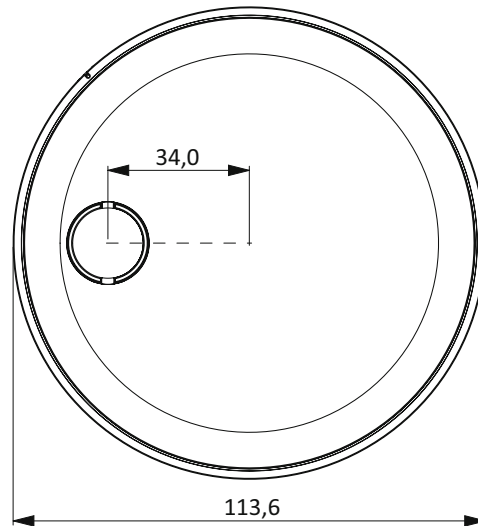
Technical specifications

Weight	127 g	
Housing material	PC ABS, flammability classification UL94 V-0	
Colour	White: RAL9010	
Ingress protection	IP44D (IP55 when used with conduit box)	
Current consumption protector - Average *	60 µA	
Current consumption – Normal (base + protector) *	120 µA	
Current consumption - alarm indicator * (Red LED indicator ON)	1.8 mA	
Average current consumption alarm *	1.9 mA (the alarm current is the quiescent current + LED indicator current)	
Remote LED output (V-110)	5 mA (non-supervised)	
System compatibility	Fully compatible with AutroSafe and Autroprime fire detection systems	
Operating temperature for EN54 variants	-30 to +70 °C	
Storage temperature	Maximum 85 °C	
Operating humidity	10 % - 95 % RH (non-condensing)	
Country of origin	Norway	
EN 54 approval	Heat	EN 54-5:2017
	Optical smoke	EN 54-7:2018
	Multisensor	EN 54-29:2015
	Short circuit isolator	EN 54-17:2005
For details on certifications, see Autronica’s product web.		

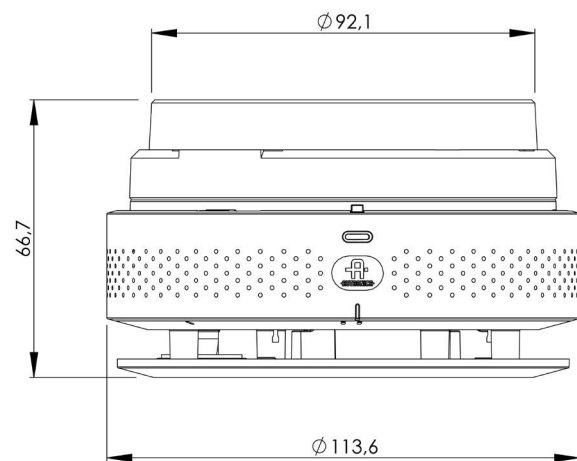
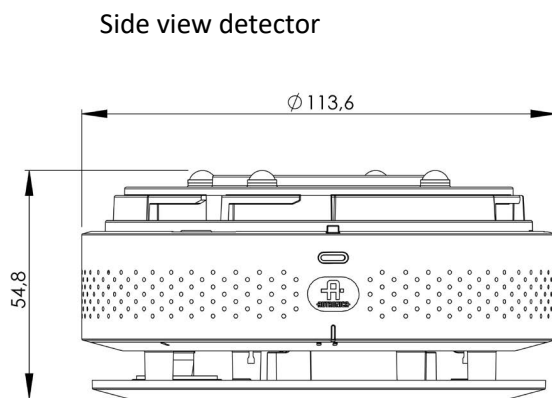
* Panels and PowerCalc use values for the legacy units.

Dimensions and outlines (in mm)

Front view detector



Side view detector
mounted on legacy base



AutoGuard Retro Spare Part Detector Variants

Part number	Model name	Description
HEAT		
116-BDH-200/SPARE	V-430/BD200	AutoGuard Retro variant - replaces 116-BDH-200
116-BDH-300/SPARE	V-430/BD300	AutoGuard Retro variant - replaces 116-BDH-300
116-BDH-500/SPARE	V-530/BD500	AutoGuard Retro variant - replaces 116-BDH-500
116-BDH-500/EX/SPARE	V-530-EXIA/BD500	AutoGuard Retro variant - replaces 116-BDH-500/EX
116-BDH-500/N/SPARE	V-530-EXIC/BD500	AutoGuard Retro variant - replaces 116-BDH-500/N
OPTICAL		
116-BHH-200/SPARE	V-430/BH200	AutoGuard Retro variant - replaces 116-BHH-200
116-BHH-300/SPARE	V-430/BH300	AutoGuard Retro variant - replaces 116-BHH-300
116-BHH-500/SPARE	V-530/BH500	AutoGuard Retro variant - replaces 116-BHH-500
116-BHH-500/EX/SPARE	V-530-EXIA/BH500	AutoGuard Retro variant - replaces 116-BHH-500/EX
116-BHH-500/N/SPARE	V-530-EXIC/BH500	AutoGuard Retro variant - replaces 116-BHH-500/N
116-BHH-500/S/SPARE	V-530/HS/BH500	AutoGuard Retro variant - replaces 116-BHH-500/S
116-BHH-500/S/EX/SPARE	V-530-EXIA/HS/BH500	AutoGuard Retro variant - replaces 116-BHH-500/S/EX
116-BHH-500/S/N/SPARE	V-530-EXIC/HS/BH500	AutoGuard Retro variant - replaces 116-BHH-500/S/N
MULTI		
116-BHH-220/SPARE	V-430/BH220	AutoGuard Retro variant - replaces 116-BHH-220
116-BHH-320/SPARE	V-430/BH320	AutoGuard Retro variant - replaces 116-BHH-320
116-BHH-520/SPARE	V-530/BH520	AutoGuard Retro variant - replaces 116-BHH-520
116-BHH-520/EX/SPARE	V-530-EXIA/BH520	AutoGuard Retro variant - replaces 116-BHH-520/EX
116-BHH-520/N/SPARE	V-530-EXIC/BH520	AutoGuard Retro variant - replaces 116-BHH-520/N

Accessories

Part number	Description
116-WAS-2000	AS2000 loop diagnostic tool (for best performance with an AutoGuard Retro spare part detector, AS-2000 should be version 7.10.8 or newer)
116-WBJ-5/07	Test gas
116-WBJ-20	Testifire XTR2 smoke and heat sensor test tool

The following *cannot* be used with the AutoGuard Retro spare part detector:

- AutoGuard Removal Tool, 116-WBJ-220
- Air duct sampling unit, 116-BWP-143A/AG
- Air duct sampling unit in stainless steel 116-BWP-143A-SS/AG
- Heated detector base BWP-145
- Conduit boxes 116-BWP-100/20 and 116-BWP-100/25
- Base Adapter 116-BWB-110