

Weight : 30 Kg

8	3	Cable gland PG 16	Brass nickle plated	116-141376
7	2	Channel UNI	Stainless steel	116-160594
6	1	Instruction sign	Plastic	116-030150
5	1	CO2 - Sign	Plastic	116-311010
4	1	1/2" Flexible hose HP 350 mm	Rubber / Steel	116-304001
3	3	Limit switch	Plastic 1 x NO / 1 x NC	116-140781
2	1	9 l / 6 Kg CO2 cylinder	Steel, TP 250 Bar	116-301108
1	1	Cabinet	GRP	116-171020
Item no.	Qty	Description	Specification	Part number

Material:

Data Sheet No.

301501-PDS-A

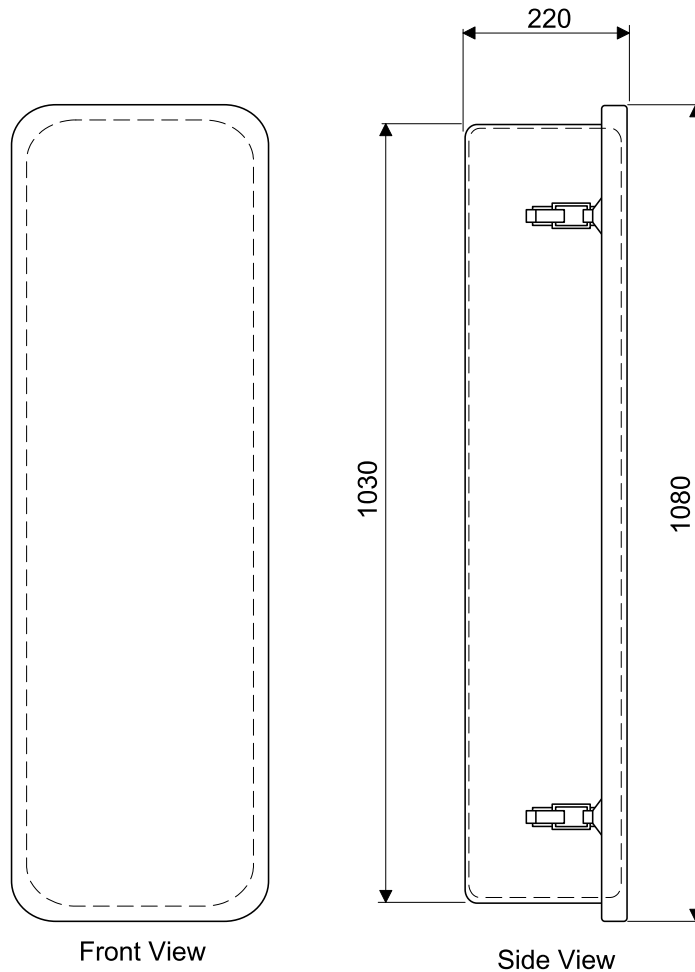
CO2 - Galley Duct System

To copy or use this document without owners permission is prohibited

Fire Suppression Systems

**Autronica Fire and Security AS**  
 Division Maritime  
 Industriveien 7, 3430 Spikkestad, Norway  
 Phone: + 47 31 29 55 00,  
 Fax: + 47 31 29 55 01  
 e-post: info@autronicafire.no





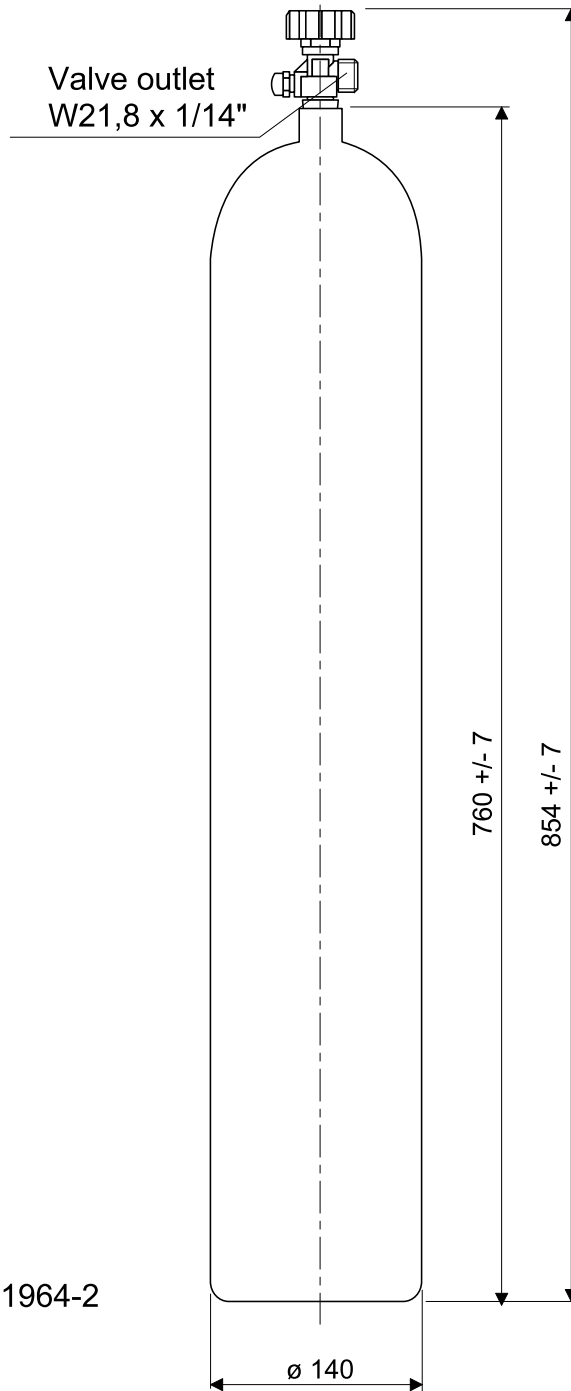
Finish: RED  
Weight: 5 Kg

Material:
E-Glass
Data Sheet No.
171020-PDS-A

<p>GRP Cabinet 1130 x 300 x 220</p> <p>To copy or use this document without owners permission is prohibited</p>
---

<p><b>Fire Suppression Systems</b></p> <p><b>Autronica Fire and Security AS</b>                  Division Maritime                  Industriveien 7, 3430 Spikkestad, Norway                  Phone: + 47 31 29 55 00,                  Fax: + 47 31 29 55 01                  e-post: info@autronicafire.no</p>
--



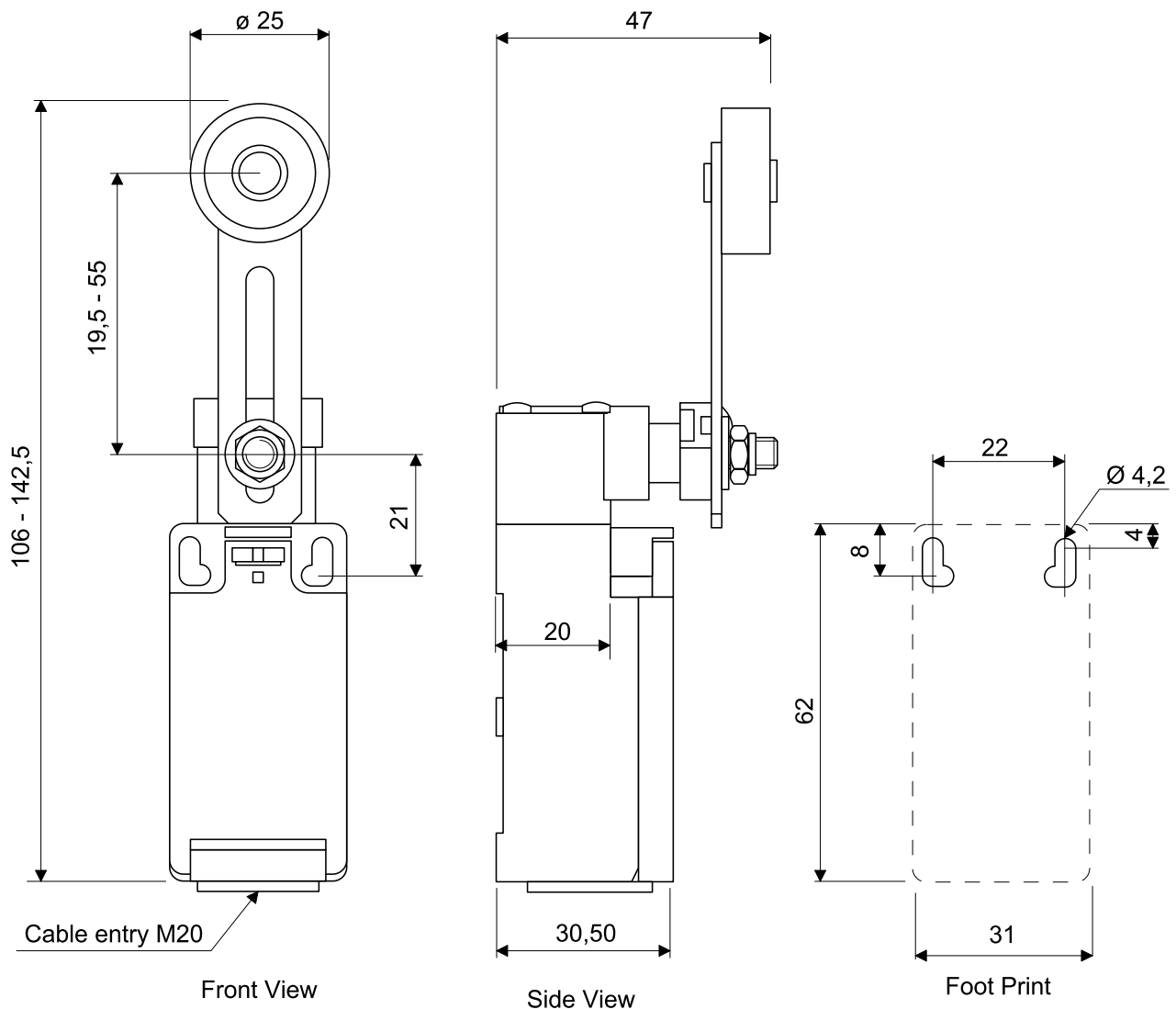


Cylinder material: Steel  
 Manufacturing standard: CE-TPED EN1964-2  
 Test pressure: 250 Bar  
 Finish: Grey  
 Neck thread: DIN 477 W 27,8 x 1/14" Tapered  
 Cylinder valve: Manual wheel  
 Cylinder valve standard: EN12094-4  
 Valve material: Brass  
 Safety disck: 190 Bar  
 Weight: ~ 22 Kg.  
 CO2-Weight: 6 Kg

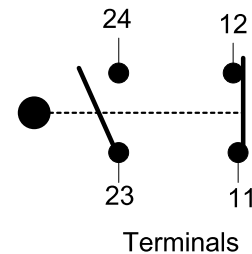
Material:
Data Sheet No.
301108-PDS-A

Cylinder manual, CO2 9 litre
To copy or use this document without owners permission is prohibited

<b>Fire Suppression Systems</b>
Autronica Fire and Security AS Division Maritime Industriveien 7, 3430 Spikkestad, Norway Phone: + 47 31 29 55 00, Fax: + 47 31 29 55 01 e-post: info@autronicafire.no
 <b>AUTRONICA</b> <small>AUTRONICA Fire &amp; Security Company</small>



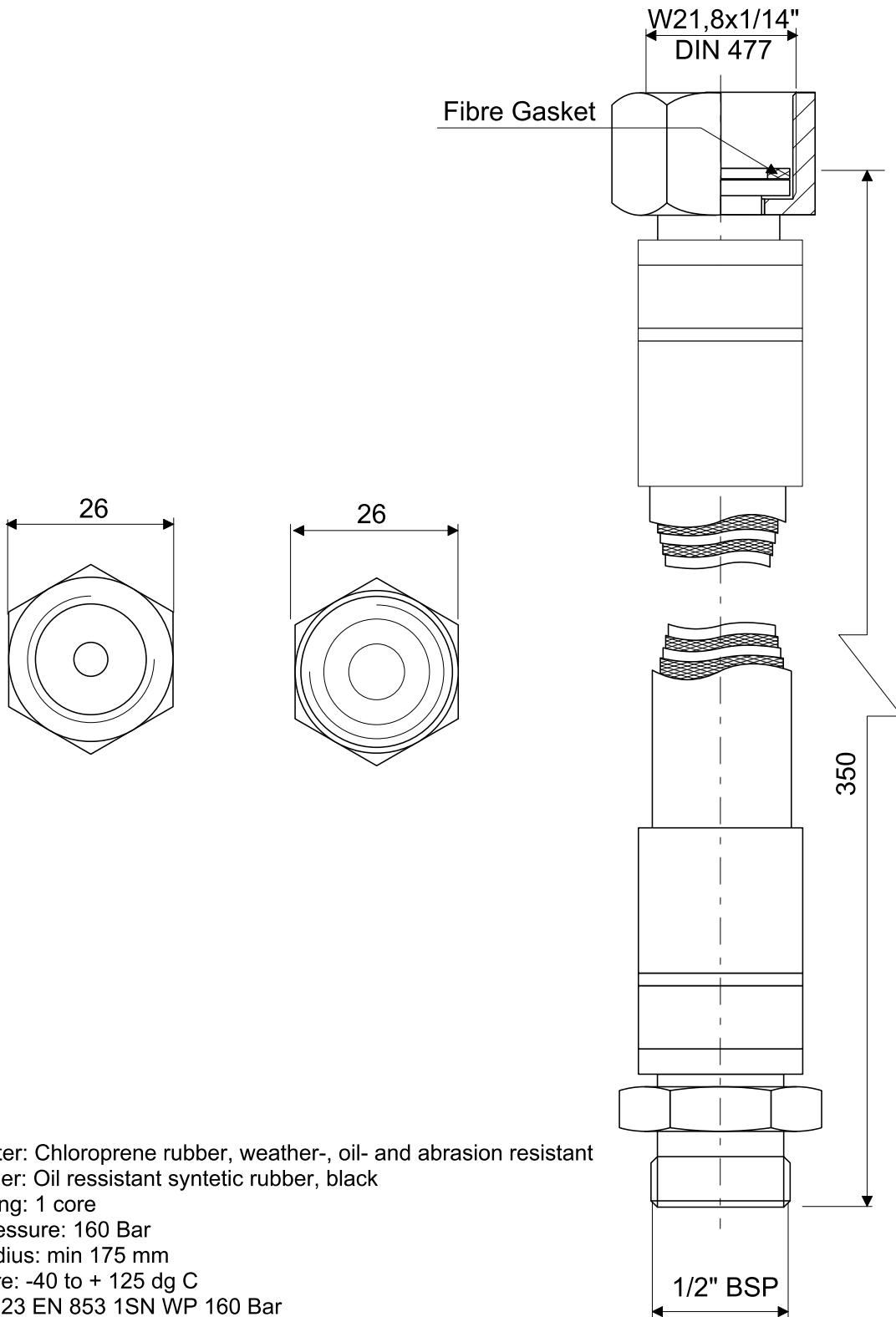
Material: Plastic  
 Operating temperature: - 30 to + 80 dg. C  
 Degree of protection: IP 65  
 Weight : 0,110 Kg  
 Permanent current: 10 A  
 Voltage: Max. 500 VAC  
 Cable entry: 1 x M20




Material: <b>Plastic</b>	<b>Limit Switch NC/NO 188-U1 AV</b>	<b>Fire Suppression Systems</b>
Data Sheet No. <b>140781-PDS-A</b>		Autronica Fire and Security AS Division Maritime Industriveien 7, 3430 Spikkestad, Norway Phone: + 47 31 29 55 00, Fax: + 47 31 29 55 01 e-post: info@autronicafire.no

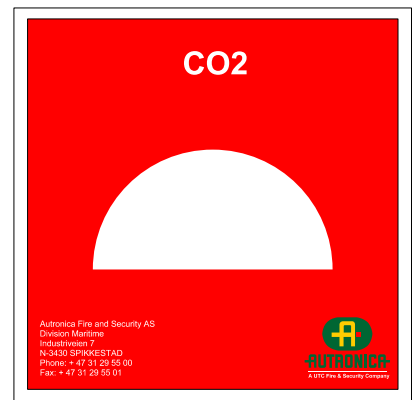
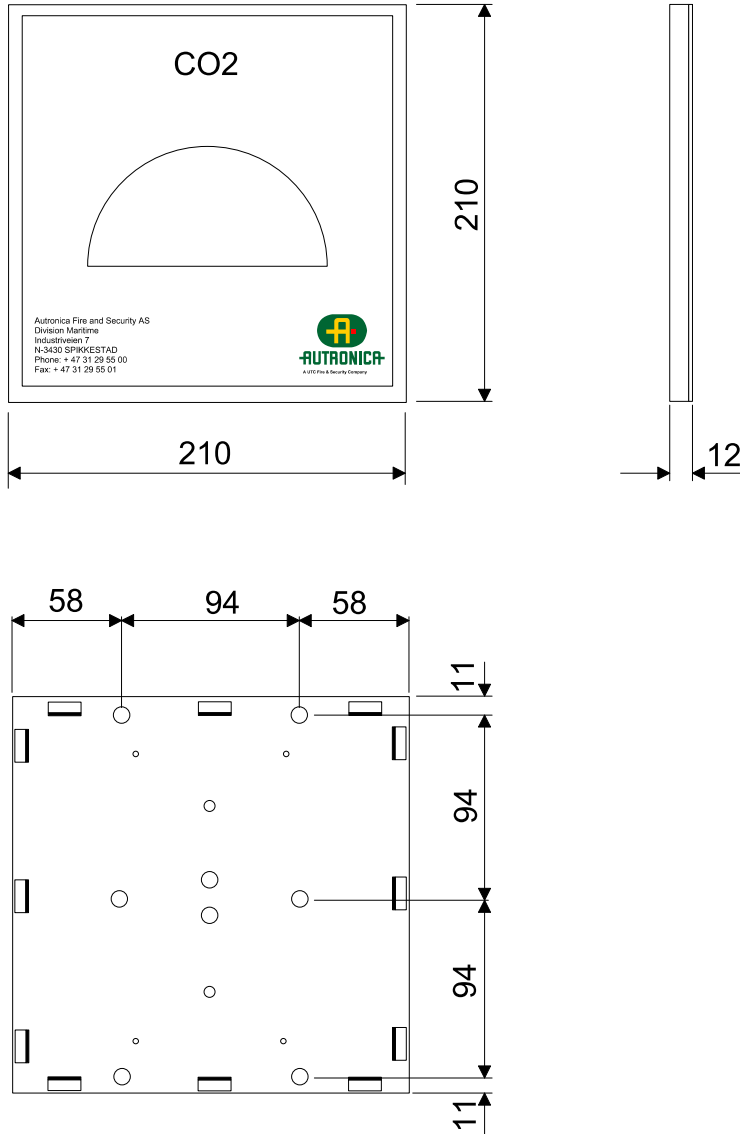


# Marine Fire Suppression CO2 hose W21,8 x 1/14" X 1/2" 304001



Material outer: Chloroprene rubber, weather-, oil- and abrasion resistant  
 Material inner: Oil resistant syntetic rubber, black  
 Steel braiding: 1 core  
 Working pressure: 160 Bar  
 Bending radius: min 175 mm  
 Temperature: -40 to + 125 dg C  
 Standard: 123 EN 853 1SN WP 160 Bar  
 Couplings: Steel  
 Weight: 0,370 Kg

Material: <b>See above</b>	<p style="text-align: center;"> <b>Hose rubber HP CO2</b>  <b>W21,8x1/14" x 1/2" BSP - 350 mm</b> </p> <p style="text-align: center; font-size: small;">To copy or use this document without owners permission is prohibited</p>	<b>Fire Suppression Systems</b>
Data Sheet No. <b>304001-PDS-A</b>		<p style="font-size: x-small;"> <b>Autronica Fire and Security AS</b>            Division Maritime            Industriveien 7, 3430 Spikkestad, Norway            Phone: + 47 31 29 55 00,            Fax: + 47 31 29 55 01            e-post: info@autronicafire.no         </p> 



Material:

Data Sheet No.  
311010-PDS-A

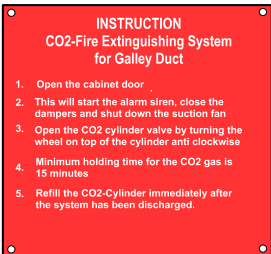
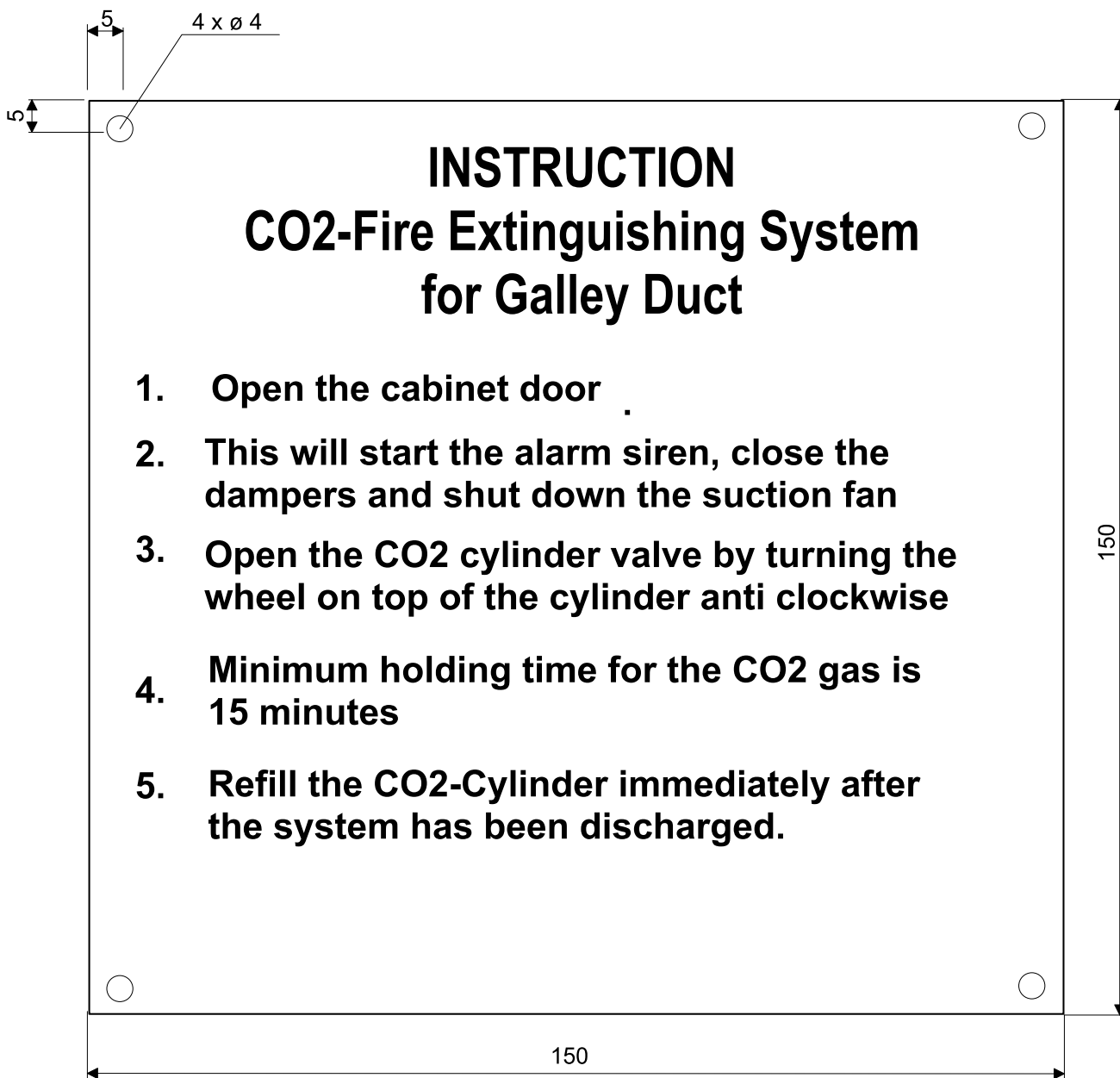
**Flourocent PVC Sign  
CO2**

To copy or use this document without owners permission is prohibited

**Fire Suppression Systems**

**Autronica Fire and Security AS**  
 Division Maritime  
 Industriveien 7, 3430 Spikkestad, Norway  
 Phone: + 47 31 29 55 00  
 Fax: + 47 31 29 55 01  
 e-post: info@autronicafire.no





Material: Resopal  
 Colour: RED  
 Text: White engraved

Material:	Resopal
Data Sheet No.	030150-PDS-B

Sign Instruction  
 CO2-Galley System

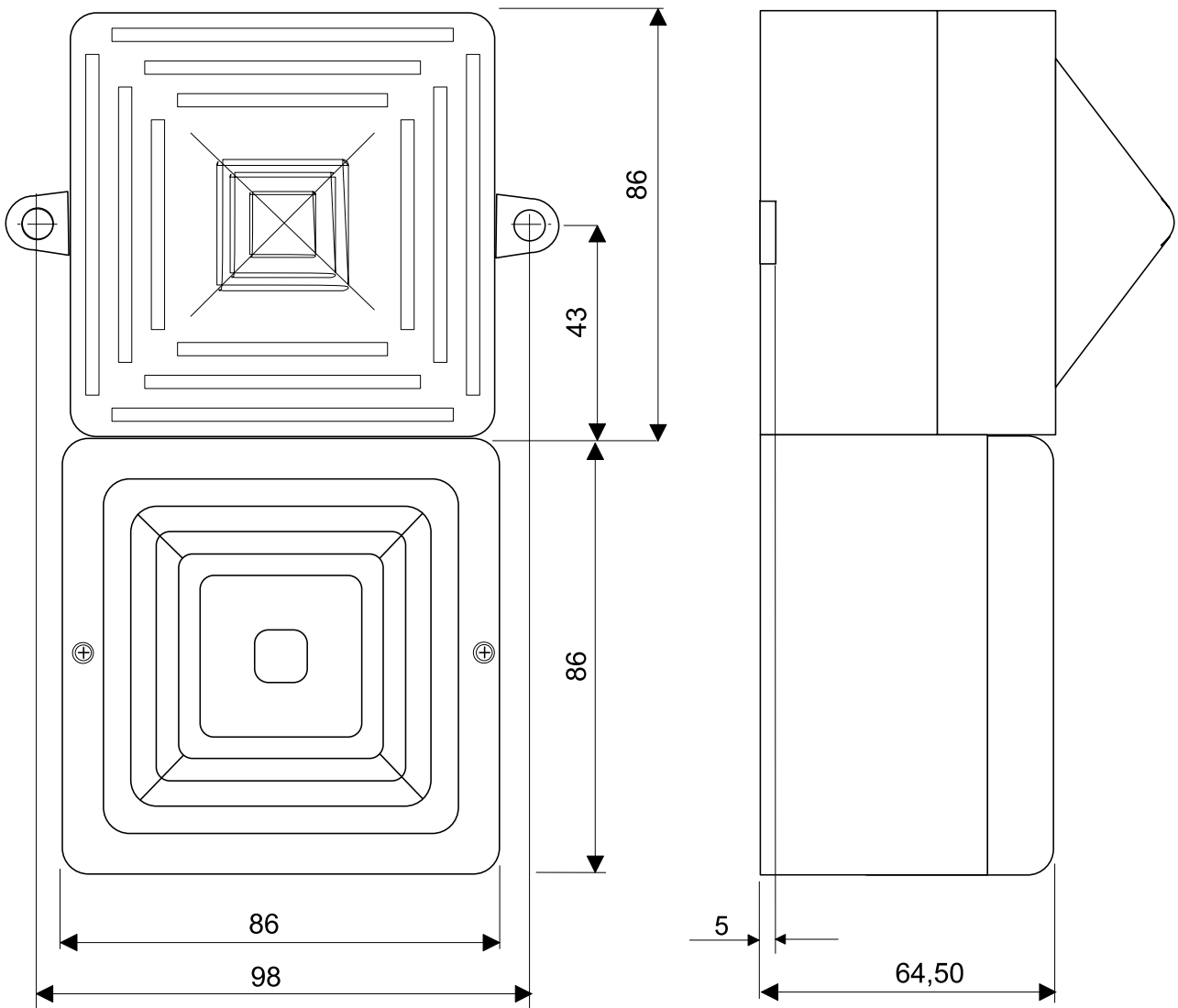
To copy or use this document without owners permission is prohibited

**Fire Suppression Systems**


**Autronica Fire and Security AS**  
 Division Maritime  
 Industriveien 7, 3430 Spikkestad, Norway  
 Phone: + 47 31 29 55 00,  
 Fax: + 47 31 29 55 01  
 e-post: info@autronicafire.no

AUTRONICA  
 A UTC Fire & Security Company

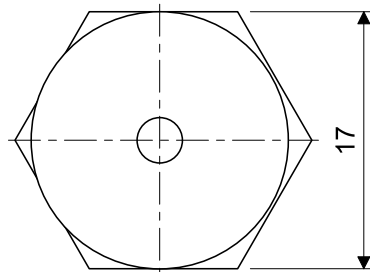
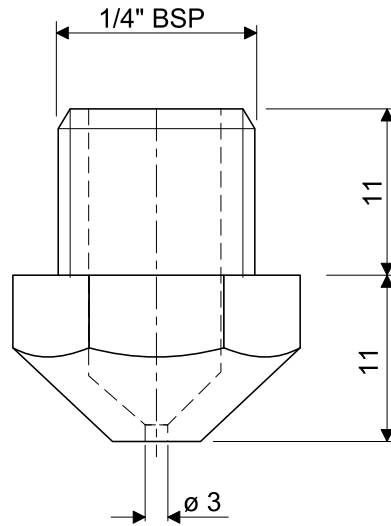
# Fire Suppression Alarm Audible Visible SONFL1-HO 139602



Material Housing : ABS Flame Retardand UL94VO  
 Material Mounting Lugs: ABS Reinforced  
 Voltage: 20 - 28 VDC  
 Finish: RED  
 Lens colour: RED  
 Flashing energy: 5 Joule  
 Flashing frequency: 60 Flash/Min  
 Nominal output: 100 dB(A) at 1 meter  
 Cable entry: 2 x  $\varnothing$  20 mm bottom entry  
 Enclosure protection: IP 55  
 Weight: 0,50 Kg.  
 Power consumption: 330 mA  
 Operating temp.: - 25 dgC to + 55 dg.C

Material: <b>ABS Flame retardant</b>	<b>Alarm Siren Audible / Visible SONFL1-HO 24 VDC</b>  <small>To copy or use this document without owners permission is prohibited</small>	<b>Fire Suppression Systems</b>
Data Sheet No. <b>139602-PDS-A</b>		<b>Autronica Fire and Security AS</b> Division Maritime Industriveien 7, 3430 Spikkestad, Norway Phone: + 47 31 29 55 00, Fax: + 47 31 29 55 01 e-post: info@autronicafire.no 





Weight: 0,020 Kg

Material:	Brass
Data Sheet No.	309101-PDS-A

<p>CO2 - Fog Nozzle small 1/4"</p> <p>To copy or use this document without owners permission is prohibited</p>
--

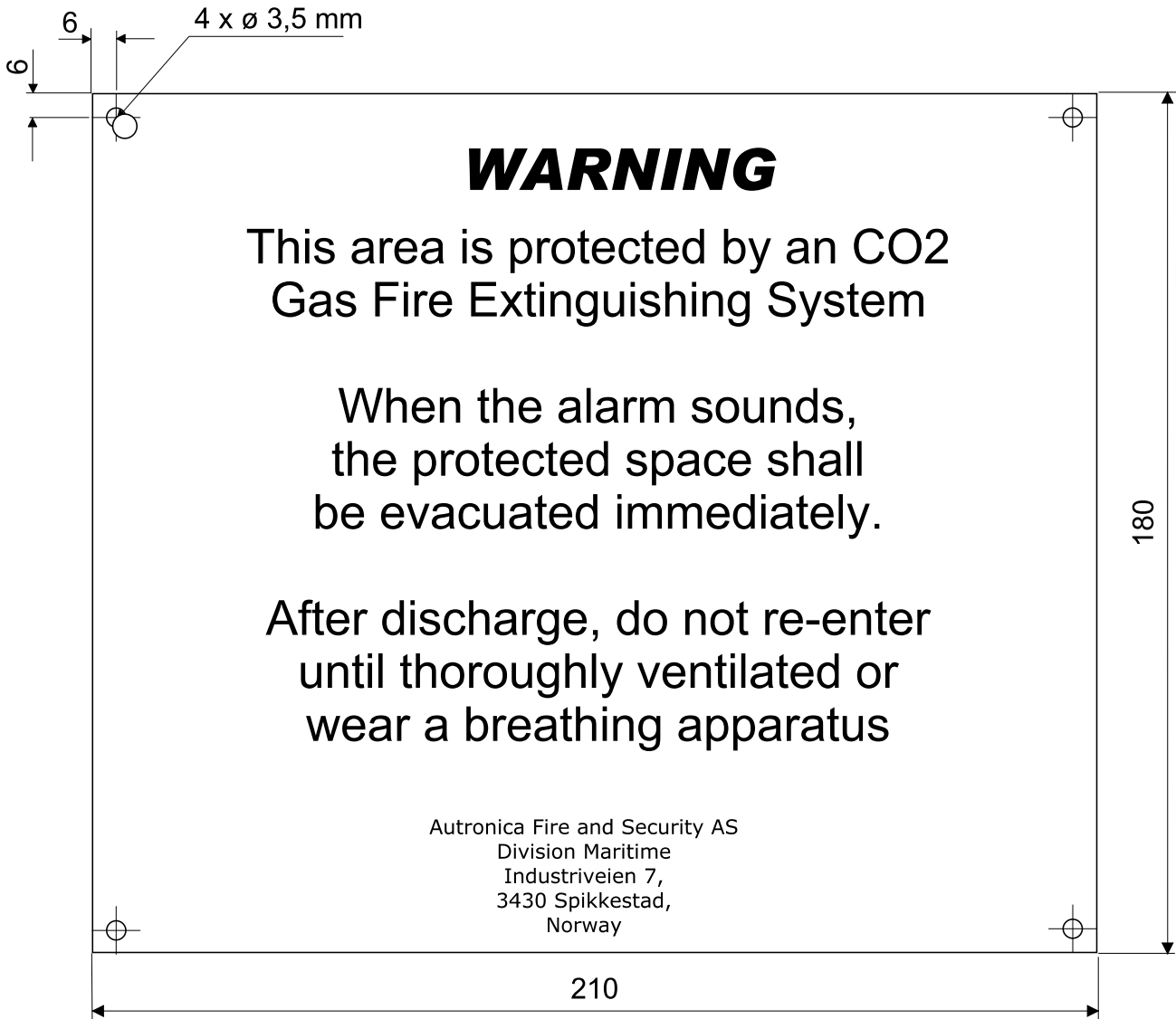
<p><b>Fire Suppression Systems</b></p> <p><b>Autronica Fire and Security AS</b>                  Division Maritime                  Industriveien 7, 3430 Spikkestad, Norway                  Phone: + 47 31 29 55 00,                  Fax: + 47 31 29 55 01                  e-post: info@autronicafire.no</p>	
--	---



Material:	Self adhesive red foil
Data Sheet No.	311001-PDS-A

<p>Sign CO2 - Alarm</p> <p>To copy or use this document without owners permission is prohibited</p>
---

<p><b>Fire Suppression Systems</b></p> <p><b>Autronica Fire and Security AS</b>                  Division Maritime                  Industriveien 7, 3430 Spikkestad, Norway                  Phone: + 47 31 29 55 00,                  Fax: + 47 31 29 55 01                  e-post: info@autronicafire.no</p>	
--	--



Text		Technical Data	
Heading	Arial Black 40 pt	Sign colour	Red
Instruction text	Arial 28 pt	Text colour	White
Address	Arial 10 pt		
Material:	Sign Warning English	<b>Fire Suppression Systems</b>	
Resopal		Autronica Fire and Security AS Division Maritime Industriveien 7, 3430 Spikkestad, Norway Phone: + 47 31 29 55 00, Fax: + 47 31 29 55 01 e-post: info@autronicafire.no	
Data Sheet No.			
031015-PDS-A	To copy or use this document without owners permission is prohibited		