



Data Sheets

Dry Chemical powder Fire Suppression System



COPYRIGHT ©

This publication, or parts thereof, may not be reproduced in any form, by any method, for any purpose.

Autronica Fire and Security AS and its subsidiaries assume no responsibility for any errors that may appear in the publication, or for damages arising from the information in it. No information in this publication should be regarded as a warranty made by Autronica Fire and Security. The information in this publication may be updated without notice.

Product names mentioned in this publication may be trademarks. They are used for identification purposes only.

Amendments

AMENDMENT INCORPORATION RECORD		
Amendment Number	Brief Description of Content	Name of Person Incorporating Amendment
1 2012-04-19	Issued for information	L. Elsrud
2 2012-08-30	Replaced data sheet for 116-117008 with rev B	L. Elsrud
3 2012-10-31	Updated data sheet 613010-PDS and 060010-PDS	L. Elsrud
4		
5		
6		
7		
8		
9		
10		

Table of Contents

Part number	Description	Document number
116-610259	DCP Pressure vessel assembly P225	610259-PDS-A
116-613010	Pneumatic release cabinet	613010-PDS-B
116-177472	Nozzle spiral jet ½" K55	177472-PDS-A
116-903040	Cylinder nitrogen 40 l pneumatic	903040-PDS-A
116-168020	Horizontal pressure vessel PN16 210 litre	168020-PDS-A
116-160148	Cylinder clamp, cylinder OD 229 mm	160148-PDS-A
116-060010	Sign DCP Pneumatic release cabinet	060010-PDS-B
116-060015.UK	Sign, operating instruction DCP	060015-PDS-A-UK
116-110220	Valve butterfly DN50, pneumatic	110220-PDS-A
116-111165	Manual declutchable gear operator	111165-PDS-A
116-100158	Valve ball DN8	100158-PDS-A
116-114220	Valve ball 3-way DN20	114220-PDS-A
116-115005	Valve in-line relief DN 8	115005-PDS-A
116-145160	Gauge pressure 0-25 Bar 63 mm	145160-PDS-A
116-170200	Sinterfilter DN 8	170200-PDS-A
116-117008	Valve Nitrogen pressure regulator DN 8	117008-PDS-B
116-117013	Valve Nitrogen pressure regulator R21	117013-PDS-A
116-116025	Valve safety with lever DN 25	116025-PDS-A
116-135365	Valve cylinder pneumatic, Nitrogen	135365-PDS-A
116-197029	Adapter W24,32 x 1/14" to M24 x 1,5	197029-PDS-A
116-145114	Gauge pressure with adapter for 116-135365	145114-PDS-A
116-161072	Pilot hose rubber HP ¼" 300 mm	161072-PDS-A
116-301110	Pilot cylinder CO2 2 l / 1,3 Kg	301110-PDS-A
116-197020	Adapter W21,8 x 1/14" to ¼" BSP	179020-PDS-A
116-102010	Valve ball HP SS DN 8	102010-PDS-A
116-135000	Valve cylinder wheel W19,8 CO2	135000-PDS-A
116-161074	Pilot hose rubber HP ¼" 300 mm	161074-PDS-A
116-161072	Pilot hose rubber HP ¼" 300 mm	161072-PDS-A
116-194108	Plug for pilot line 3/8" BSP	194108-PDS-A
116-609000	Dry chemical powder FUREX K	609000-PDS-A

1 FOREWORD

This manual is written for those who design, install and maintain Autronica Fire and Security Dry Chemical Powder (DCP) Fire Suppression Systems

IMPORTANT

Autronica Fire and Security AS assume no responsibility for application of any system other than those addressed in this manual. The technical data concerned herein is limited strictly for information purposes only. Autronica Fire and Security AS believe this data to be accurate, but it is published and presented without any guarantee or warranty whatsoever. Autronica Fire and Security AS disclaim any liability for any use that may be made of the data and information contained herein by any and all other parties.

The Autronica Fire and Security Dry Chemical powder Fire Suppression Systems are to be designed, installed, inspected, tested and recharged by qualified and trained personnel in accordance with the following.

All instructions, limitations, etc. contained in this manual.

Storage, handling, transportation, service, maintenance, recharge and test of agent storage containers shall be performed only by qualified and trained personnel in accordance with the information in this manual and the relevant compressed gas standard.

Regulations imposed by the class, flag state or Authorities Having Jurisdiction for the hazard to be protected.

Any questions concerning the information presented in this manual should be addressed to:

Autronica Fire and Security,
Division Maritime
Industriveien 7,
3410 Spikkestad, Norway
Phone: +47 73 58 25 00
Fax: +47 31 29 55 01
sales.maritime@autronicafire.no

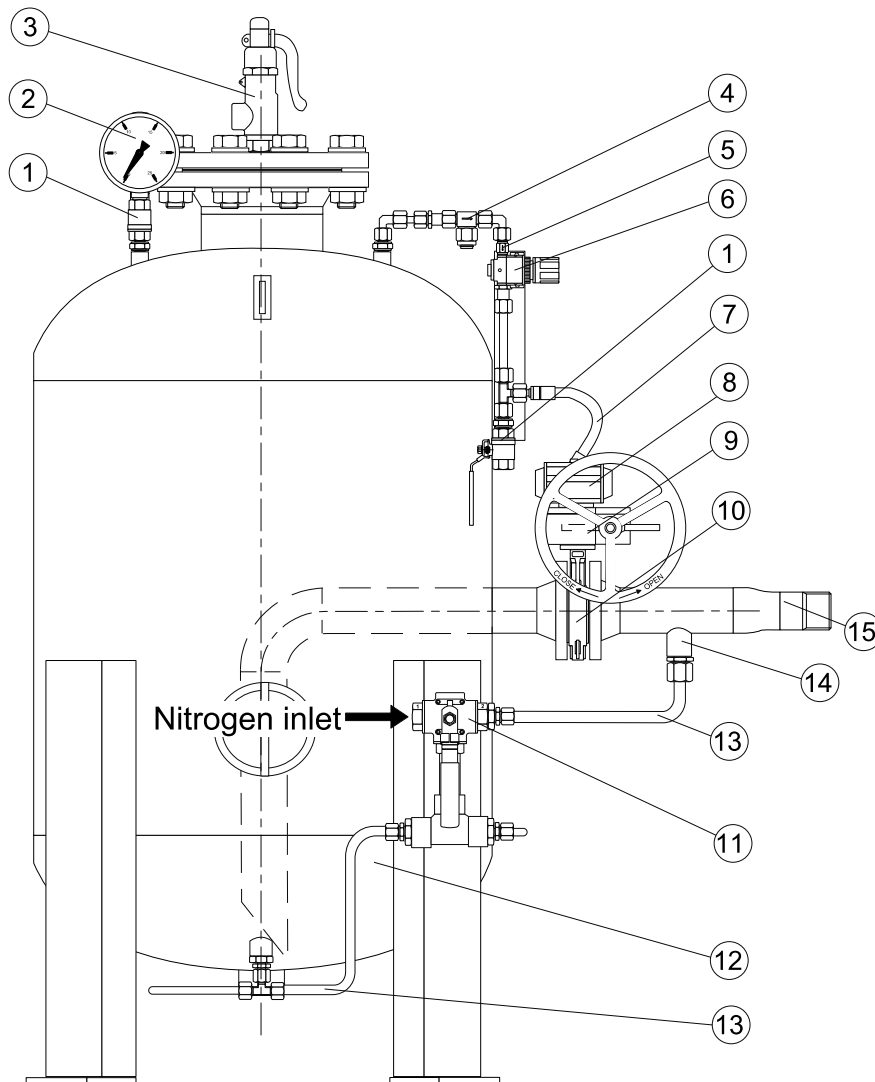
World Wide Service Assistance
Phone: +47 73 58 25 00
Fax: +47 73 58 24 75
service.maritime@autronicafire.no

Original Spare Parts
Phone: +47 73 58 25 00
Fax: +47 73 58 24 75
spares.maritime@autronicafire.no

24-hour Support
Fire Detection Systems
+47 48 25 60 00
Suppression Systems
+47 48 25 70 00

2 PRODUCT DATA SHEETS

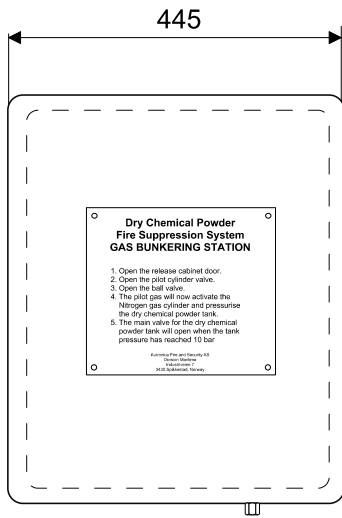
Product data sheets as listed in table of content are a part of this document. Total number of data sheets are 29.



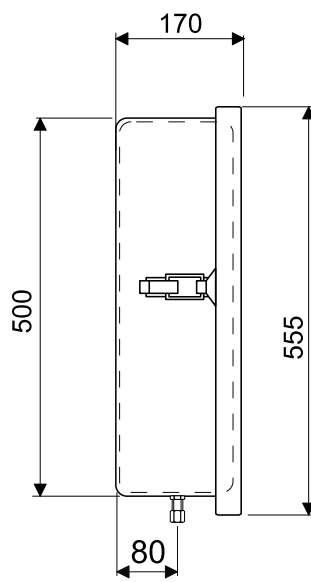
15	1	Nipple welding with 1 1/2" BSP	AISI 316
14	1	Socket 1/2" BSP	AISI 316
13	1	Tube 12 mm	Copper
12	1	Pressure vessel 210 litre PN16	Steel 116-168020
11	1	Valve ball three way L DN20	Stainless steel 116-114220
10	1	Valve butterfly DN50	Cast steel 116-110020 / With actuator 116-110220
9	1	Manual declutchable gear operator	Cast iron 116-111165
8	1	Valve actuator air operated	Aluminium 116-111170
7	1	Flexible hose HP 1/4" - 300 mm	Stainless steel couplings 116-161072
6	1	Valve pressure regulator DN8 Set 5 Bar	Aluminium 116-117008
5	1	Valve in-line relief DN8 Set 10 Bar	Brass 116-115005
4	1	Filter DN8	Brass 116-170200
3	1	Valve safety DN25 Set 16,50 Bar	Bronze, 12,5 - 19,3 Bar, 116-116025
2	1	Gauge pressure 63 mm 0-25 Bar	Stainless steel 116-145160
1	2	Valve ball DN8/PN16	Stainless steel 116-100158
Item no.	Qty	Description	Specification

Material:	Horizontal pressure vessel PN16 for dry chemical system P-225	Fire Suppression Systems
Steel		
Data Sheet No. 610259-PDS-A		
<small>To copy or use this document without owners permission is prohibited</small>		Autronica Fire and Security AS Division Maritime Industriveien 7, 3430 Spikkestad, Norway Phone: + 47 31 29 55 00, Fax: + 47 31 29 55 01 e-post: info@autronicafire.no

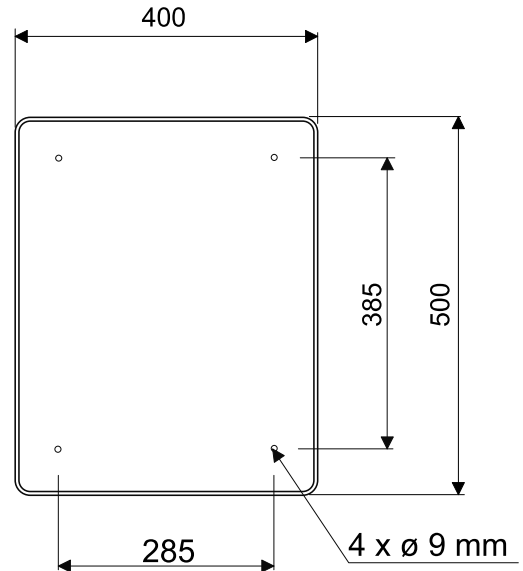




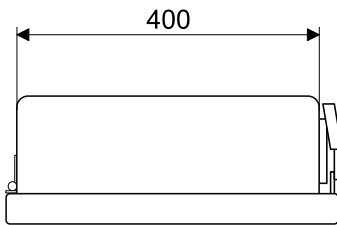
Front View



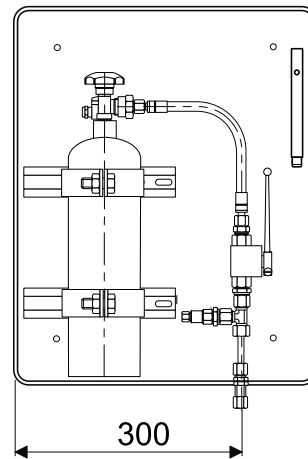
Side View



Front View door open



Top View



Internal View

Material cabinet: GRP
 Degree of protection: IP 66
 Finish: RED
 Release line: 8 mm compression coupling
 Pilot cylinder: 2 litre / 1,3 Kg CO₂

Material:	GRP
Data Sheet No.	613010-PDS-B

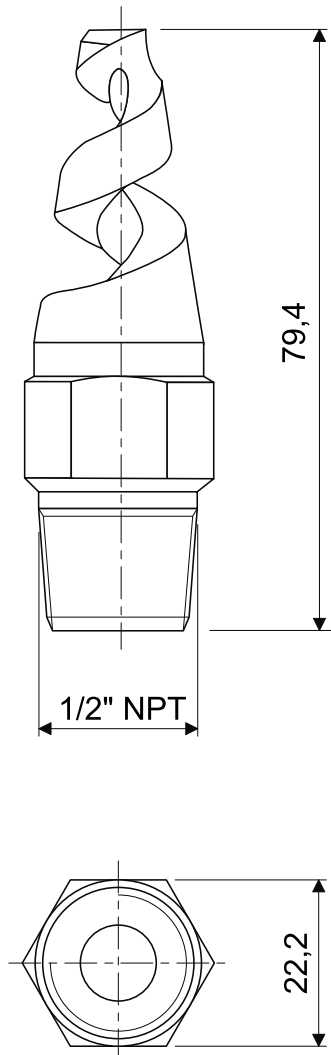
Fire suppression system Pneumatic release cabinet

To copy or use this document without owners permission is prohibited


Fire Suppression Systems

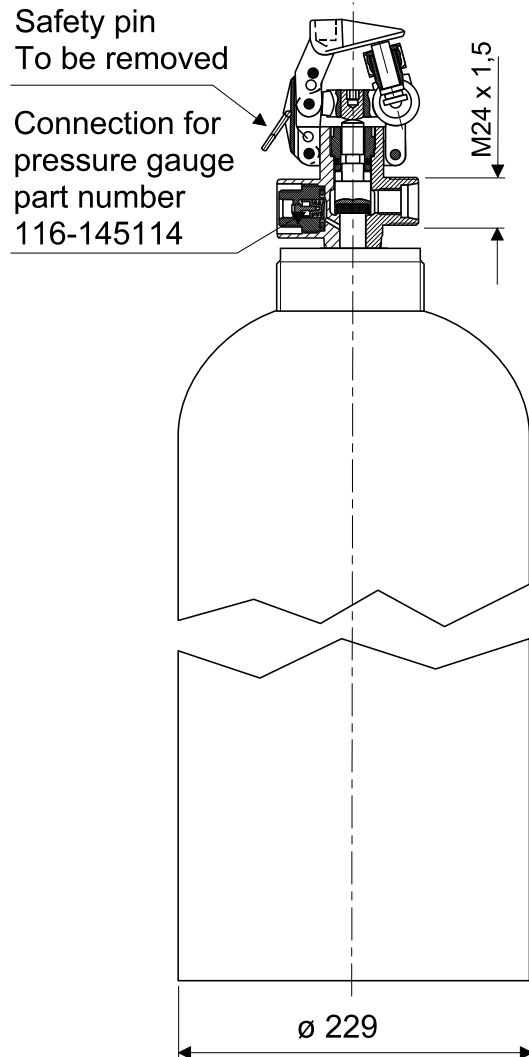
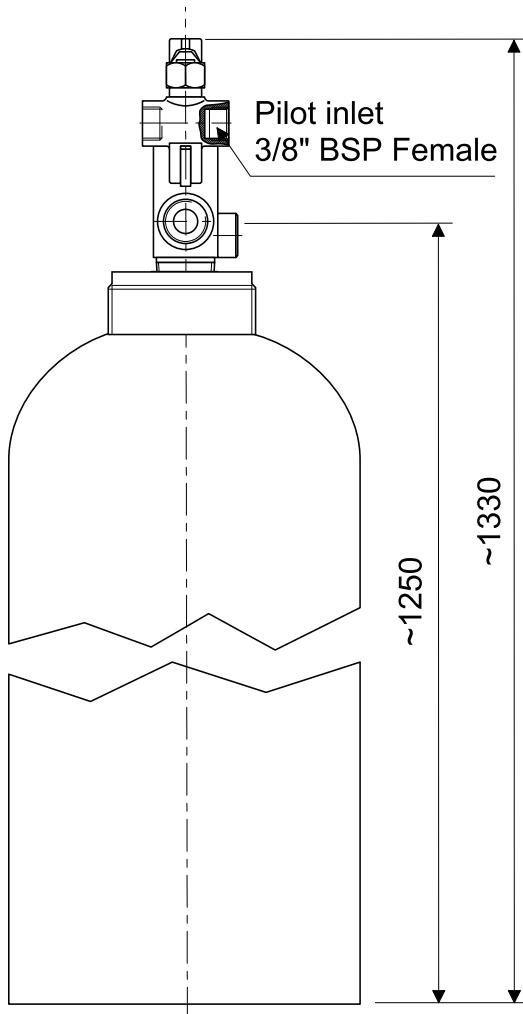
Autronica Fire and Security AS
 Division Maritime
 Industriveien 7, 3430 Spikkestad, Norway
 Phone: + 47 31 29 55 00,
 Fax: + 47 31 29 55 01
 e-post: info@autronicafire.no





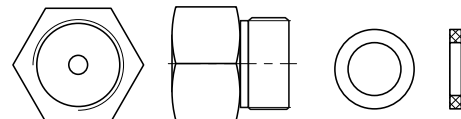
Finish: Natural
 Bore: 9,5 mm
 K-Factor: 55
 Spray angle: 60 dg
 Operating pressure: 0,7 - 25,0 Bar
 Installation: Pendent
 Weight: 0,10 Kg

Material: Naval brass	Nozzle Spiral Jet 1/2" 60 Dg / Kv 55 To copy or use this document without owners permission is prohibited	Fire Suppression Systems
Data Sheet No. 177472-PDS-A		Autronica Fire and Security AS Division Maritime Industriveien 7, 3430 Spikkestad, Norway Phone: + 47 31 29 55 00, Fax: + 47 31 29 55 01 e-post: info@autronicafire.no  AUTRONICA <small>Fire & Security Company</small>

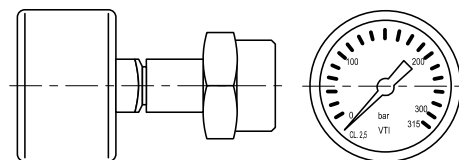


Cylinder material: Steel
 Manufacturing standard: CE-TPED EN1964-2
 Working pressure: 200 Bar
 Test pressure: 300 Bar
 Finish: Green
 Neck thread: DIN 477 W 27,8 x 1/14" Tapered
 Cylinder valve: Pneumatic
 Valve material: Brass
 Weight: ~ 50 Kg.

Adapter M24 x W14,32 PTFE Gasket
 116-197029 116-183910



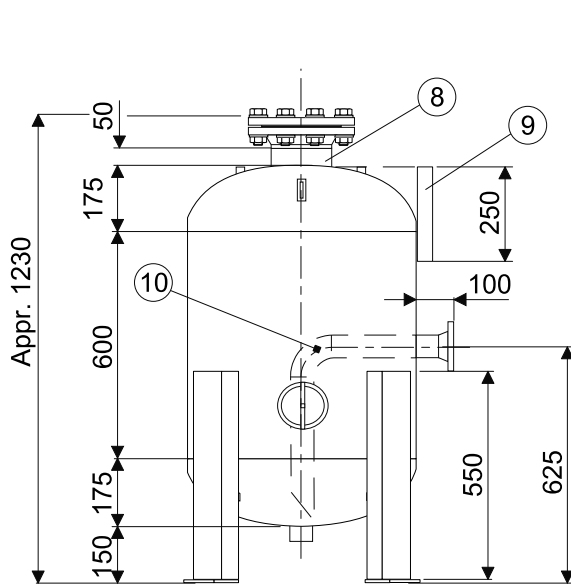
Pressure gauge 116-145114



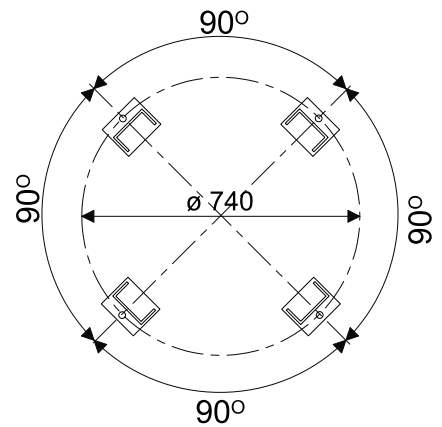
Material:
Data Sheet No.
903040PDS-A

<p>Cylinder, Nitrogen 40l, Pneumatic</p> <p>To copy or use this document without owners permission is prohibited</p>

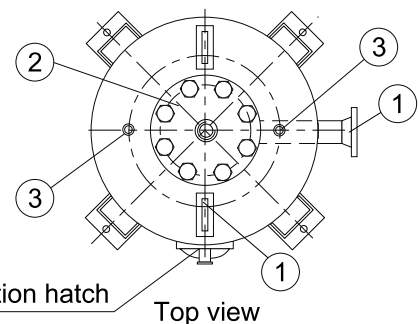
<p>Fire Suppression Systems</p> <p>Autronica Fire and Security AS Division Maritime Industriveien 7, 3430 Spikkestad, Norway Phone: + 47 31 29 55 00, Fax: + 47 31 29 55 01 e-post: info@autronicafire.no</p> 
--



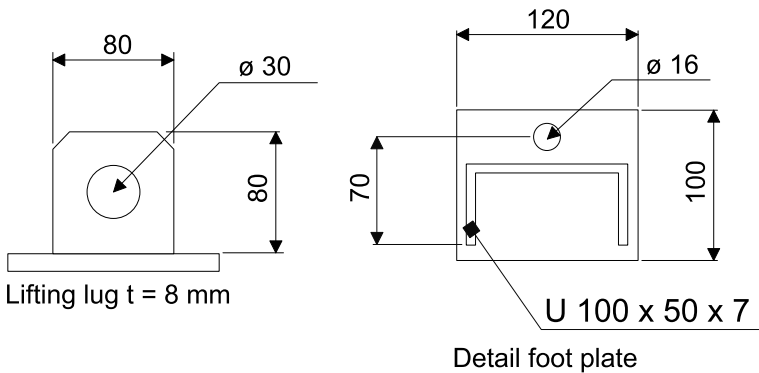
Side view



Foot print

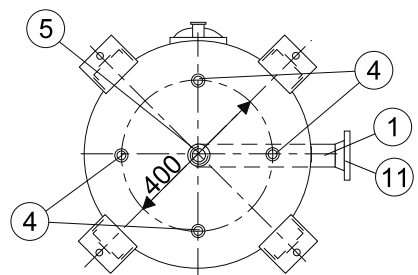


Inspection hatch
Top view



Lifting lug t = 8 mm

Detail foot plate



Bottom view

Material shell and dished ends: Carbon steel P265GH
 Material pipes and fittings: St 37.3
 Material BSP sockets: St 35 / 8-1
 Design pressure: 16 Bar
 Test pressure: 24 Bar
 Primer: Zinkromate
 Top coat: RED RAL 3000
 Weight: Appr. 350 Kg
 Tolerance: +/- 10 mm all dimensions

1. Outlet pipe, $\varnothing 60,3 \times 3,90$ Sch 40
2. Blind flange, DN 150, PN16 with 1" BSP threaded hole in centre
3. 1/2" BSP Socket
4. 1" BSP Socket, Nitrogen inlet
5. 2" BSP Socket, drain
7. Lifting lug
8. Flange weld neck, DN150, PN16
9. Flat iron bar 50 x 4 x 250
10. Butt weld elbow, long radius, 2", Sch. 40
11. Flange weld neck, DN 50, PN16

Material:	Steel
Data Sheet No.	168020-PDS-A

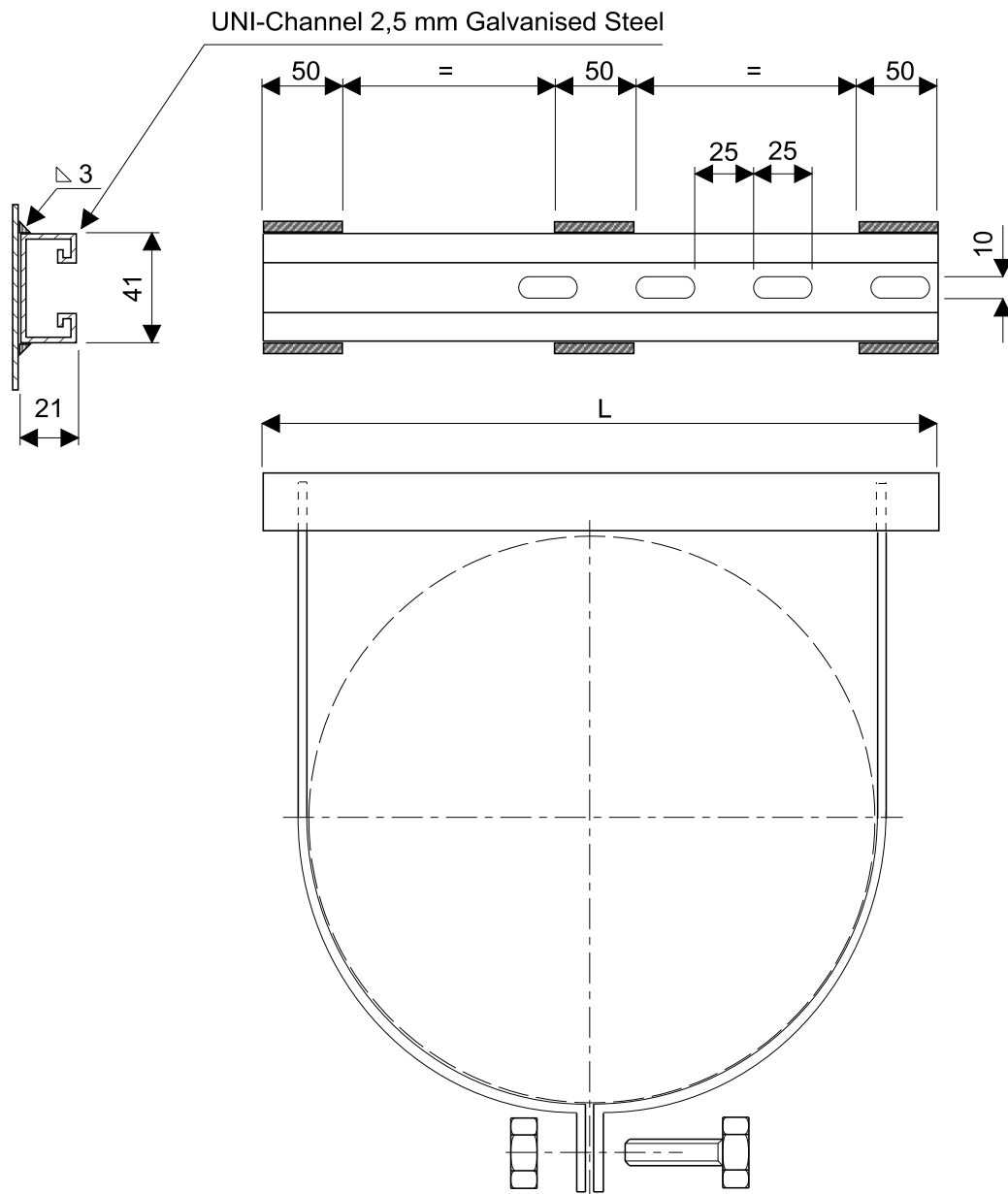
Horizontal pressure vessel PN16
 for dry chemical system
 Gross volume: appr. 210 litre

To copy or use this document without owners permission is prohibited

Fire Suppression Systems

Autronica Fire and Security AS
 Division Maritime
 Industriveien 7, 3430 Spikkestad, Norway
 Phone: + 47 31 29 55 00,
 Fax: + 47 31 29 55 01
 e-post: info@autronicafire.no





Part no.	No. of cylinders	Cyl. Dia mm	L mm	No. of cylinder clamps	Bolt M
903840	4 pcs	229 mm	900 mm	8 pcs	M10 x 60
903830	3 pcs	229 mm	600 mm	6 pcs	M10 x 60
903820	2 pcs	229 mm	300 mm	4 pcs	M10 x 60

Material:
Galvanized Steel

Data Sheet No.
160148-PDS-A

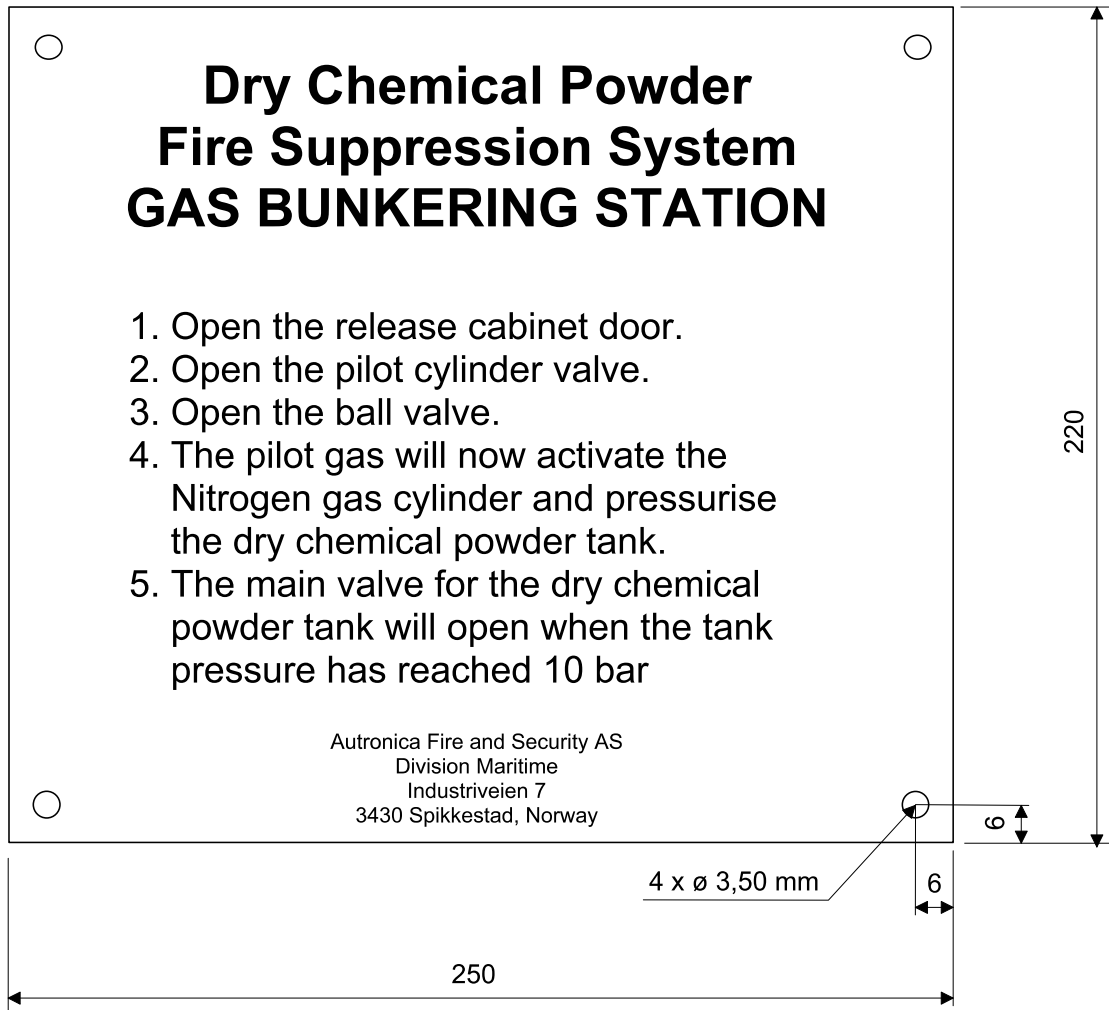
Cylinder clamp

To copy or use this document without owners permission is prohibited

Fire Suppression Systems

Autronica Fire and Security AS
 Division Maritime
 Industriveien 7, 3430 Spikkestad, Norway
 Phone: + 47 31 29 55 00,
 Fax: + 47 31 29 55 01
 e-post: info@autronicafire.no





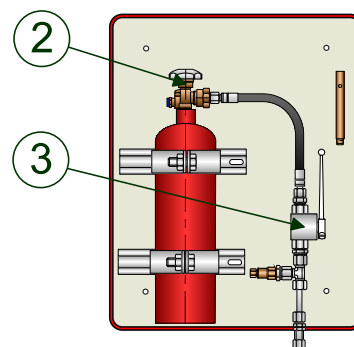
Text		Technical Data	
Heading	Arial 40 pt	Sign colour	Red
Instruction text	Arial 28 pt	Text colour	White
Address			
Material:	Sign for DCP Release cabinet	Fire Suppression Systems	
Resopal		Autronica Fire and Security AS Division Maritime Industriveien 7, 3430 Spikkestad, Norway Phone: + 47 31 29 55 00, Fax: + 47 31 29 55 01 e-post: info@autronicafire.no	
Data Sheet No.			
060010-PDS-B	To copy or use this document without owners permission is prohibited		

OPERATION PROCEDURE DRY CHEMICAL POWDER FIRE SUPPRESSION SYSTEM

Activation of the system upon detection of a fire at the protected object

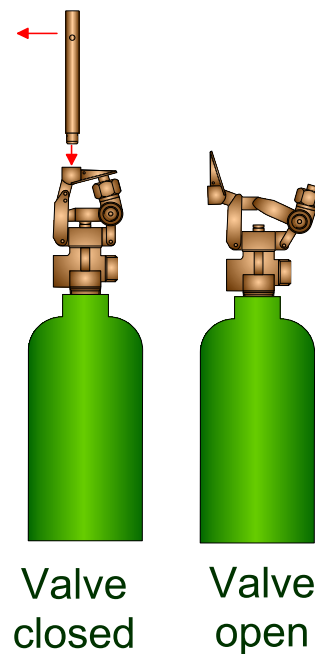
Activation of the system upon a fire in the space protected

1. Open the release cabinet door.
2. Open the pilot cylinder valve by turning the wheel anti-clockwise.
3. Open the release valve by pulling the valve lever outwards.



By malfunction of the pneumatic release

Locate the nitrogen cylinder.
Operate the nitrogen cylinder valve by using the valve lever located inside the release cabinet.
Insert the valve lever to the top of the nitrogen cylinder valve and pull the lever to the left.

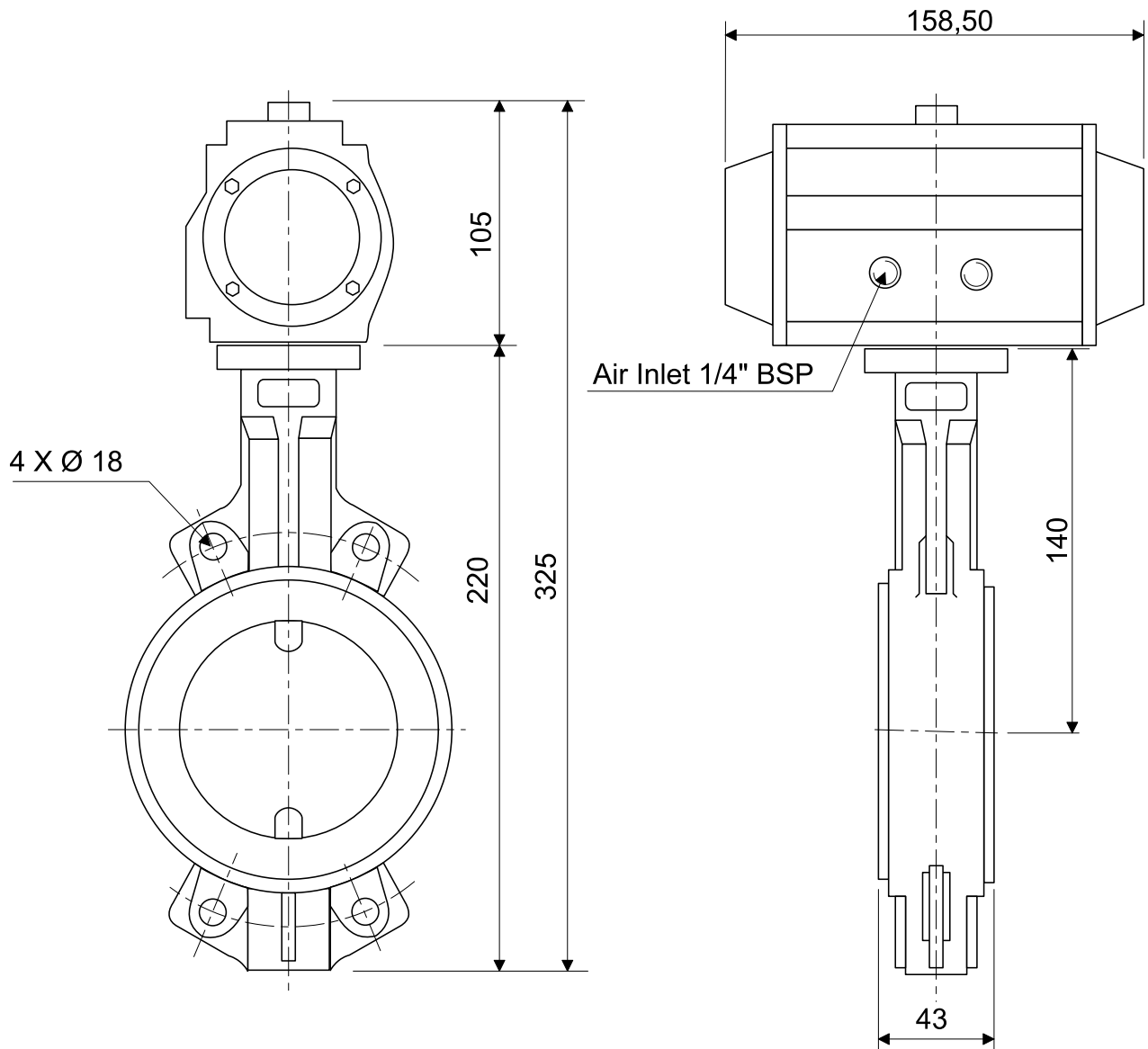


Release of dry chemical powder


The nitrogen propellant gas will pressurise the dry chemical powder tank when activated.
The nitrogen pressure will activate the pressure tank main valve when the pressure has reached 10 bar in the tank.

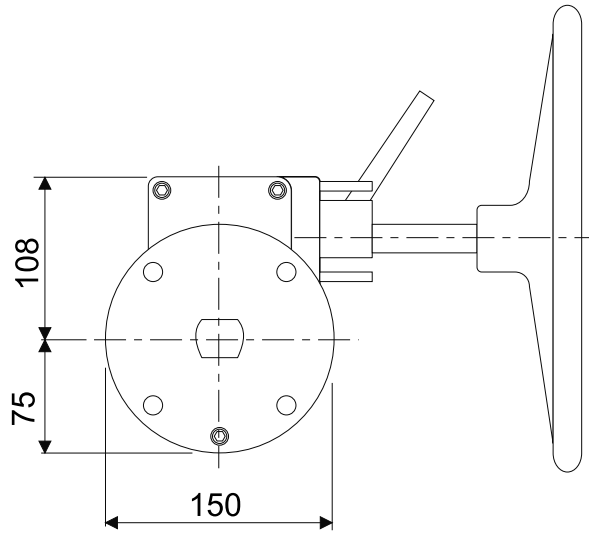
By malfunction of the main valve

The main outlet valve on the dry chemical powder tank is equipped with a manual override, declutchable gear operator.
Unlock the actuator using the handel on the gear. The valve can now be opened using the wheel.

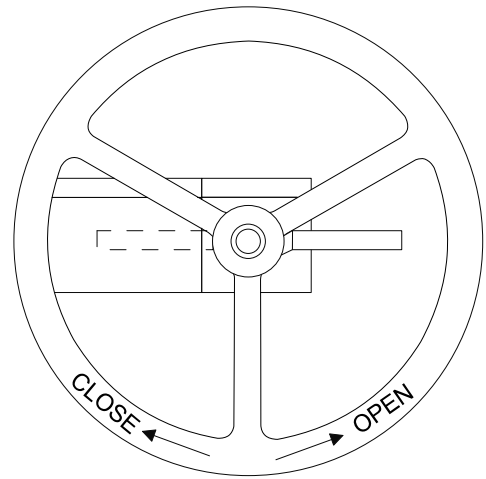


Valve:
 Pressure range: 0 - 16 Bar
 Max. working pressure: 16 Bar
 Max.test pressure closed: 18 Bar
 Max. test pressure open: 24 Bar
 Material housing: Cast Steel GG25
 Material seat: Buna N
 Material stem: Stainless Steel
 General:
 Weight: 7.50 Kg
 Installation: Wafer, DIN PN 16
 Actuator double acting:
 Material: Aluminium
 Working pressure: 5 - 6 Bar

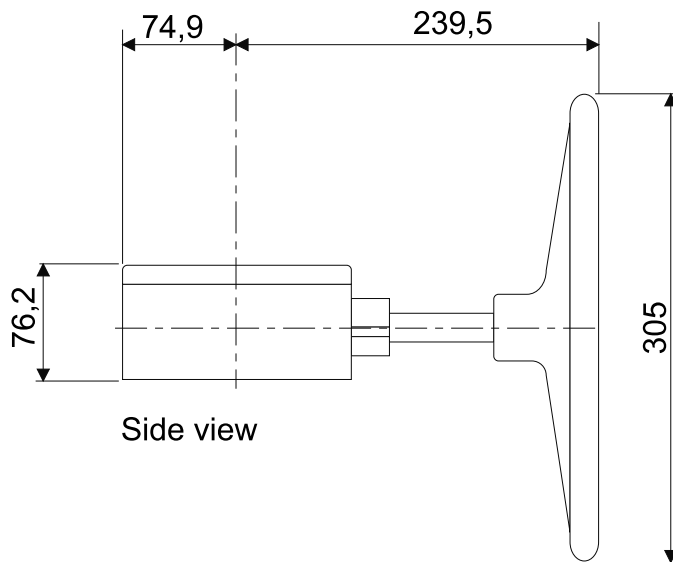
Material: Cast Steel GG25	Valve Butterfly DN 50 Wafer PN16 Pneumatic To copy or use this document without owners permission is prohibited	Fire Suppression Systems
Data Sheet No. 110220-PDS-A		Autronica Fire and Security AS Division Maritime Industriveien 7, 3430 Spikkestad, Norway Phone: + 47 31 29 55 00, Fax: + 47 31 29 55 01 e-post: info@autronicafire.no 



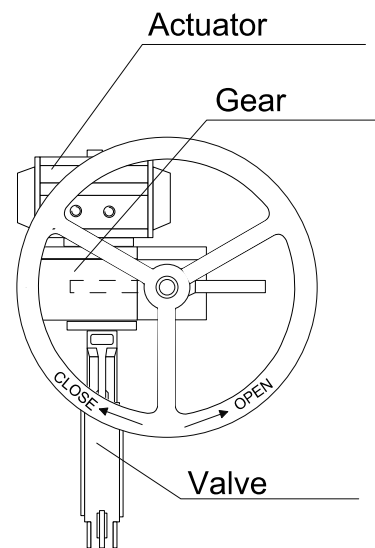
Top view



Front view



Side view



Typical assembly

Material body: Cast iron
Finish: Epoxy paint

Material:	Cast iron
Data Sheet No.	111165-PDS-A

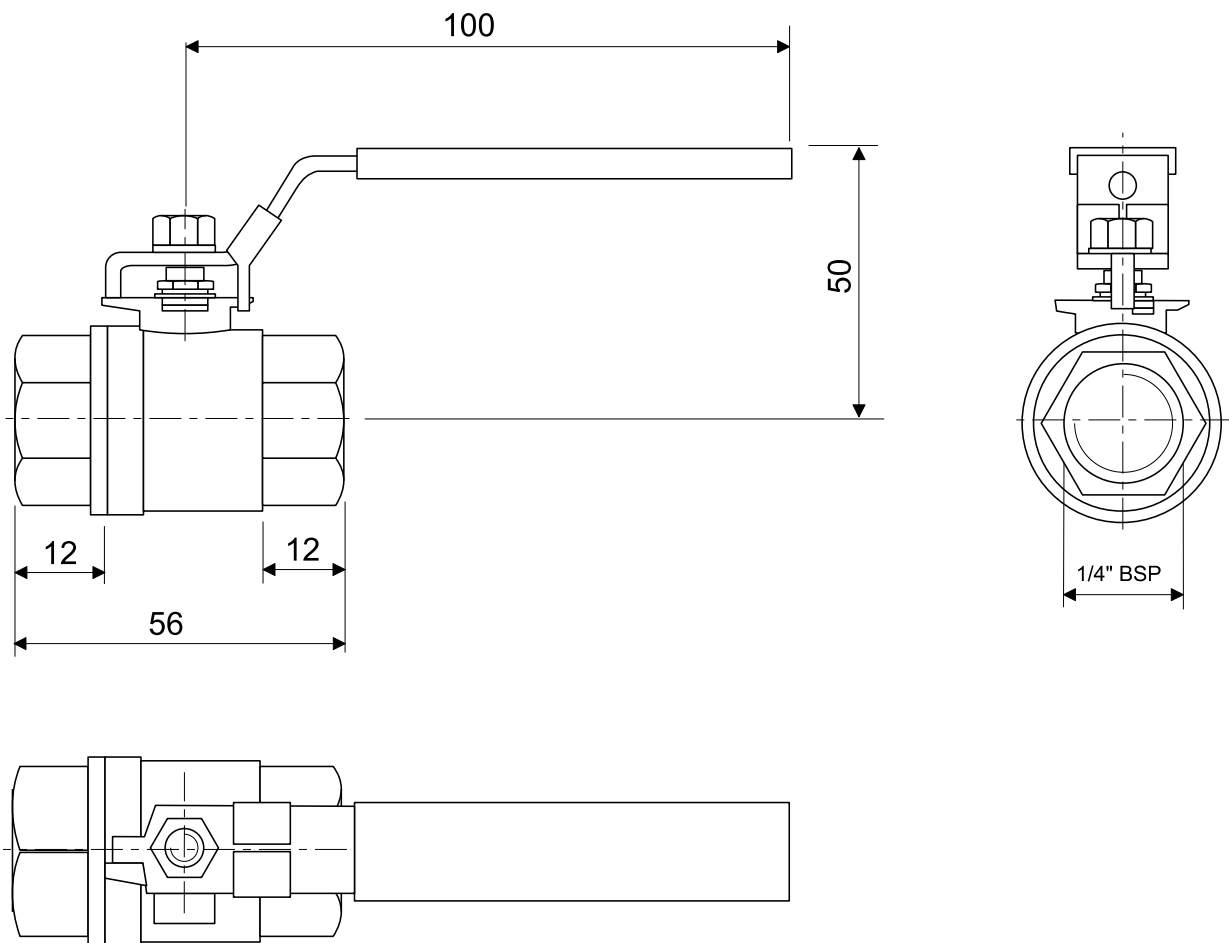
Manual declutchable gear operator
for butterfly valve with pneumatic
actuator

To copy or use this document without owners permission is prohibited


Fire Suppression Systems

Autronica Fire and Security AS
Division Maritime
Industriveien 7, 3430 Spikkestad, Norway
Phone: + 47 31 29 55 00,
Fax: + 47 31 29 55 01
e-post: info@autronicafire.no

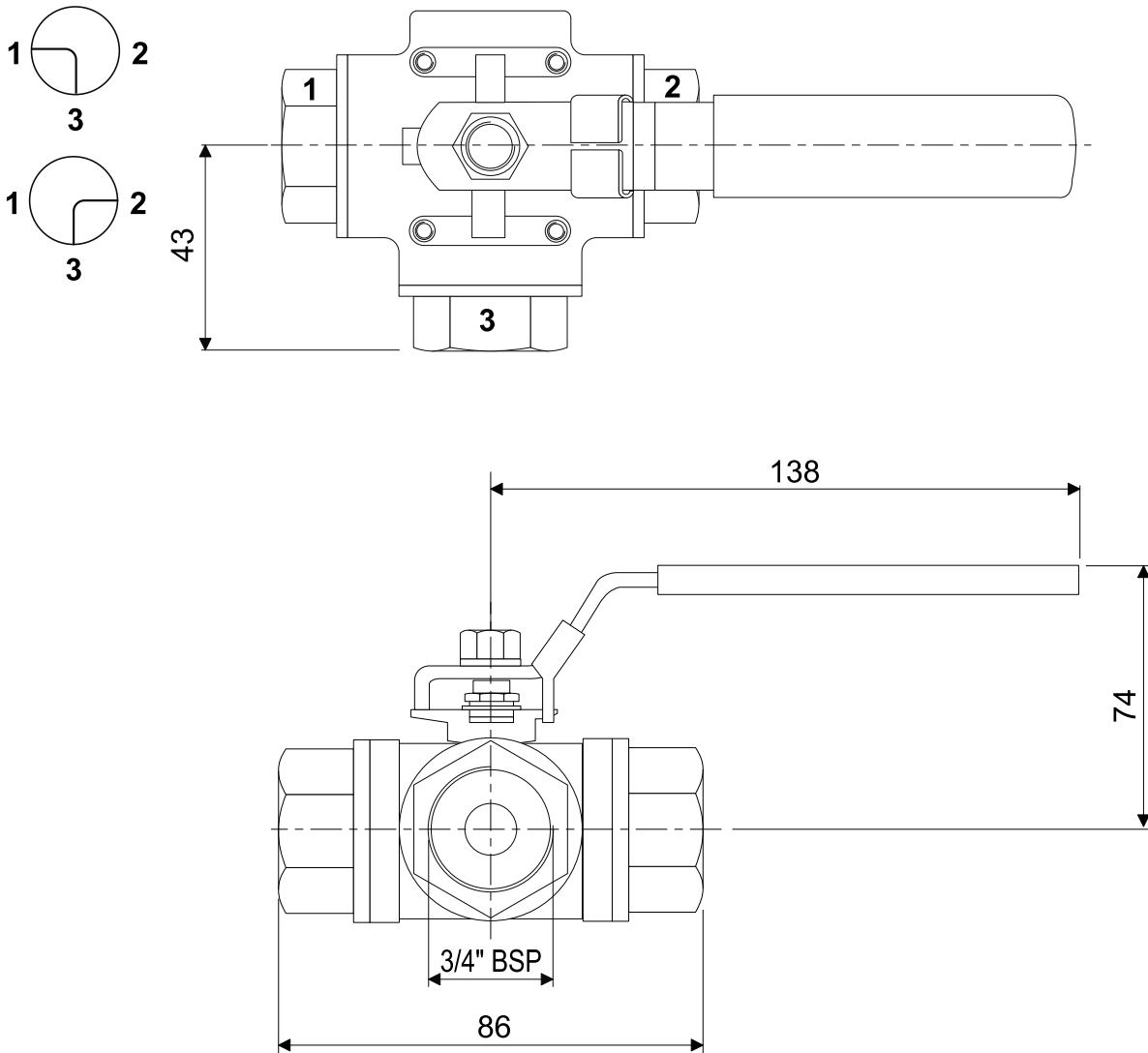




Pressure range: 0 - 40 Bar
 Max. working pressure: 40 Bar
 Max. test pressure closed: 44 Bar
 Max. test pressure open: 60 Bar
 Weight: 0.23 Kg
 Material housing: Stainless steel
 Material seat: PTFE
 Material handle: Stainless Steel
 Material stem: Stainless Steel
 Material gasket: PTFE

Material: Stainless Steel	Valve Ball DN 8 BSP	Fire Suppression Systems
Data Sheet No. 100158-PDS-A		Autronica Fire and Security AS Division Maritime Industriveien 7, 3430 Spikkestad, Norway Phone: + 47 31 29 55 00, Fax: + 47 31 29 55 01 e-post: info@autronicafire.no 

To copy or use this document without owners permission is prohibited



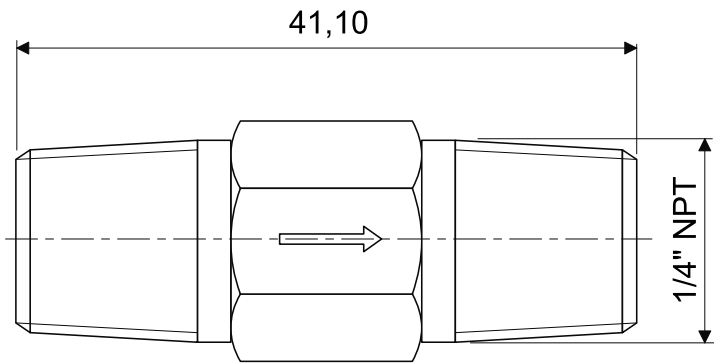
Pressure range: 0 - 40 Bar
 Max. working pressure: 40 Bar
 Max.test pressure closed: 44 Bar
 Max. test pressure open: 60 Bar
 Weight: 1.00 Kg
 Material housing: Stainless steel
 Material seat: PTFE
 Material handle: Stainless Steel
 Material stem: Stainless Steel
 Material gasket: PTFE



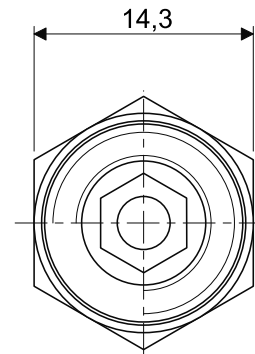
Material:	Valve Ball Three Way DN20 - 3/4" BSP
Stainless Steel	
Data Sheet No.	
114220-PDS-A	

To copy or use this document without owners permission is prohibited

Fire Suppression Systems
Autronica Fire and Security AS Division Maritime Industriveien 7, 3430 Spikkestad, Norway Phone: + 47 31 29 55 00, Fax: + 47 31 29 55 01 e-post: info@autronicafire.no
 AUTRONICA <small>A UTC Fire & Security Company</small>



Front view

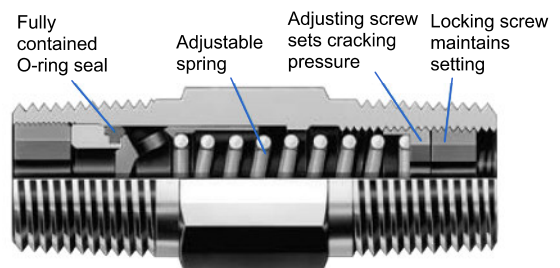


Side view

NOTE:

Check valves are designed for directional flow control only. Swagelok check valves should never be used as code safety relief devices.

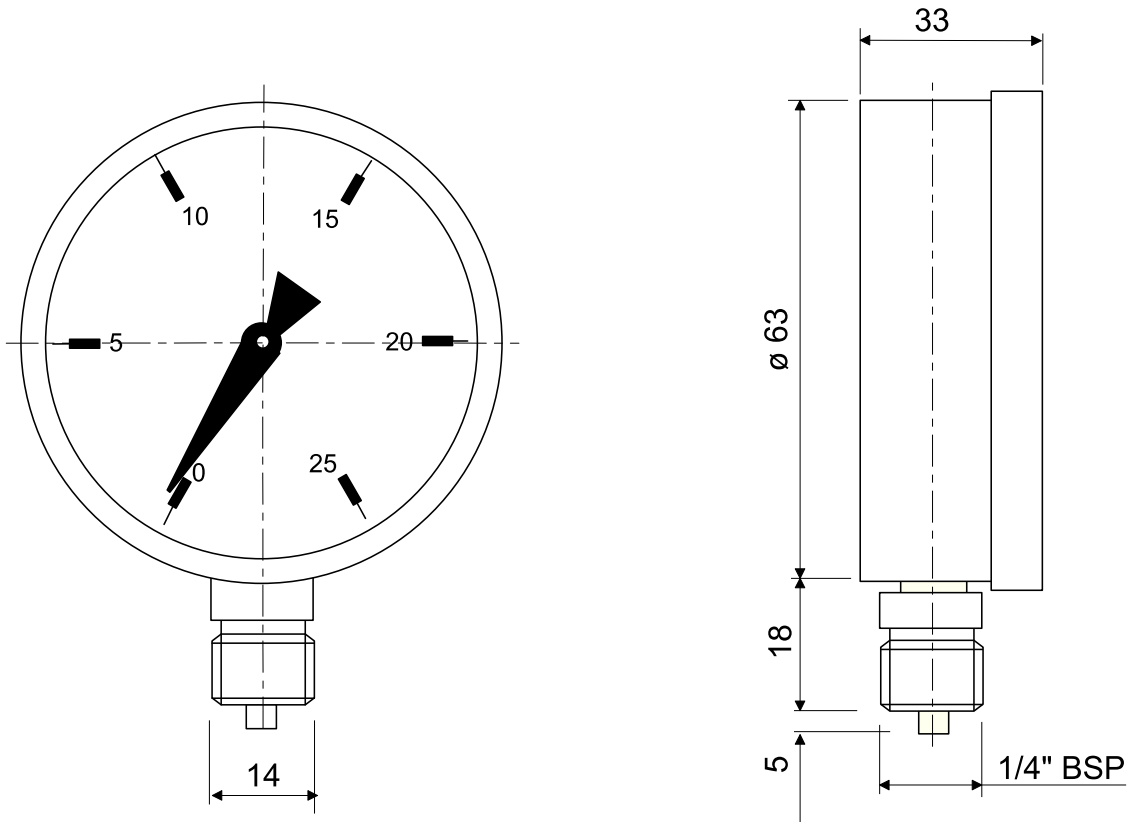
Cracking pressure range: 3,5 - 10,4 Bar
 Cracking pressure setting: 10 Bar
 Material body/insert: Brass
 Material spring: AISI 302
 O-Ring: Buna N
 Temperature rating: -23 dgC to + 121 dgC
 Max. working pressure: 165 Bar
 Weight: 0.04 Kg



Material: Brass
Data Sheet No. 115005-PDS-A

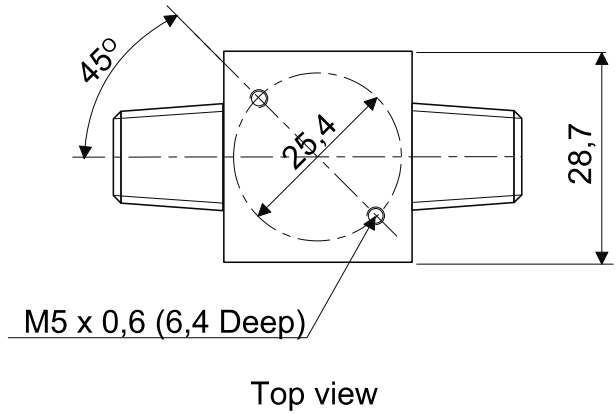
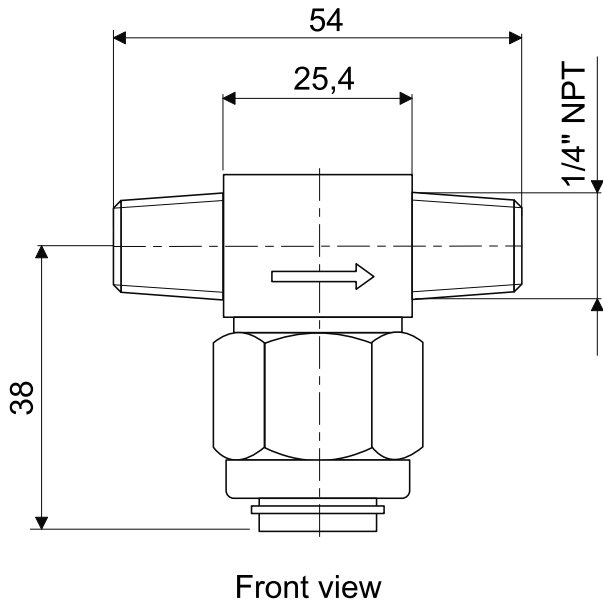
<p>Valve In-Line relief DN8 B-4CPA2-50</p> <p>To copy or use this document without owners permission is prohibited</p>
--

<p>Fire Suppression Systems</p> <p>Autronica Fire and Security AS Division Maritime Industriveien 7, 3430 Spikkestad, Norway Phone: + 47 31 29 55 00, Fax: + 47 31 29 55 01 e-post: info@autronicafire.no</p> 
--




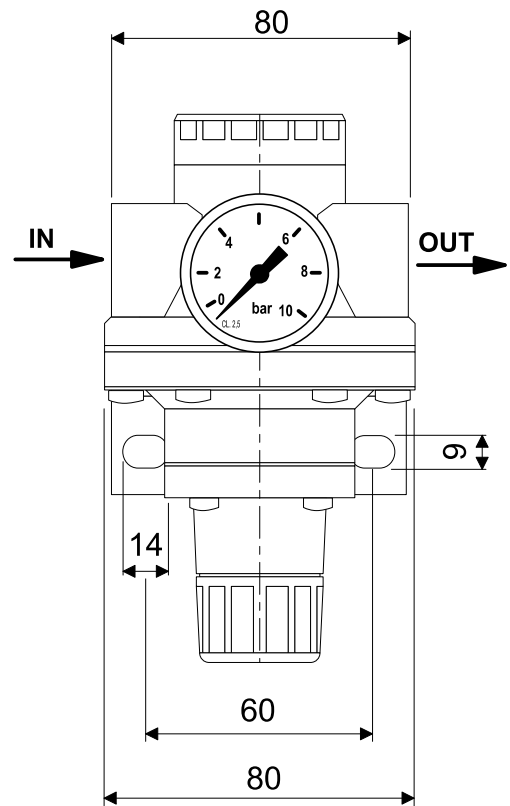
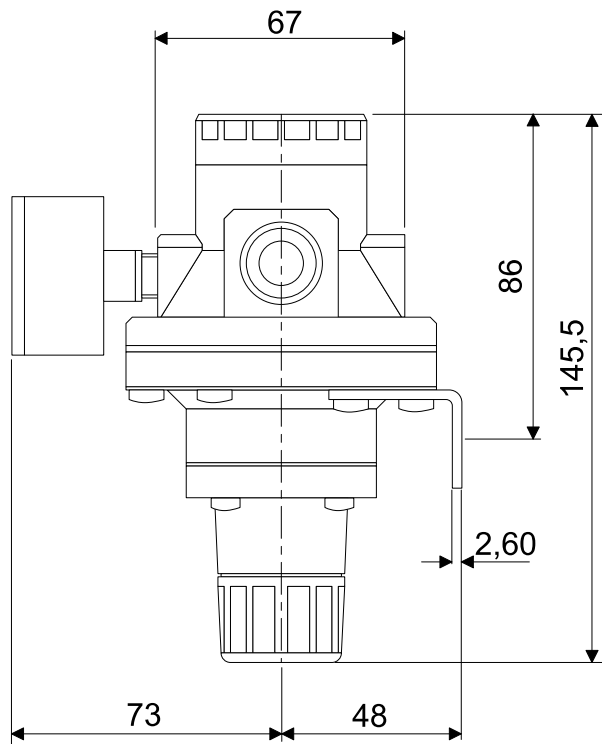
Material Housing: AISI 304
 Material processconnection: Brass
 Material Dial: Aluminium
 Material Pointer: Aluminium
 Material Element: Copper alloy
 Material glass: Plexiglas
 Pressure range: 0 - 25 Bar
 Weight: 0,2 Kg
 Accuracy: Class 1,0

Material: AISI 304	Gauge Pressure 63 mm 0 - 25 Bar To copy or use this document without owners permission is prohibited	Fire Suppression Systems
Data Sheet No. 145160-PDS-A		Autronica Fire and Security AS Division Maritime Industriveien 7, 3430 Spikkestad, Norway Phone: + 47 31 29 55 00, Fax: + 47 31 29 55 01 e-post: info@autronicafire.no 



Material housing: Brass
 Material spring: AISI 302
 Retaining ring: 15-7 Mo. St. steel
 Gasket: Aluminium
 Filter: AISI 316 Sinter 5 - 10 micron
 Finish: Natural
 Pressure range: 0 - 100 Bar
 Weight: 0,02 Kg

Material: Brass	Sinterfilter B-4TF2-7 To copy or use this document without owners permission is prohibited	Fire Suppression Systems
Data Sheet No. 170200-PDS-A		Autronica Fire and Security AS Division Maritime Industriveien 7, 3430 Spikkestad, Norway Phone: + 47 31 29 55 00, Fax: + 47 31 29 55 01 e-post: info@autronicafire.no 

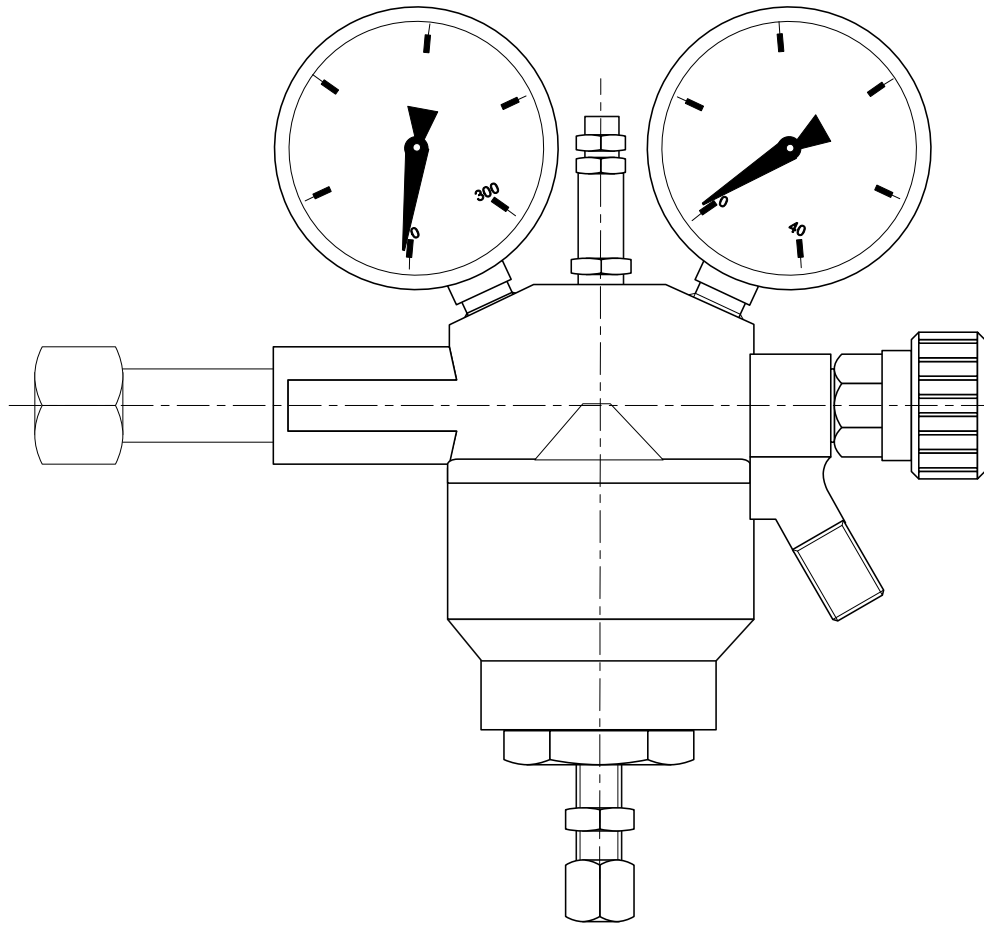


Max operating pressure: 10 Bar
 Max proof pressure : 15 Bar
 Set pressure range: 0,5 - 8,5 Bar
 Set pressure: 5,5 - 6,5 Bar
 Port size: 1/4" BSP Femal
 Pressure gauge port size: 1/4" BSP Female
 Material housing: Aluminium alloy
 Weight: 0,70 Kg


Material: Aluminium	Valve, Pressure regulator 1/4"	Fire Suppression Systems
Data Sheet No. 117008-PDS-B		Autronica Fire and Security AS Division Maritime Industriveien 7, 3430 Spikkestad, Norway Phone: + 47 31 29 55 00, Fax: + 47 31 29 55 01 e-post: info@autronicafire.no

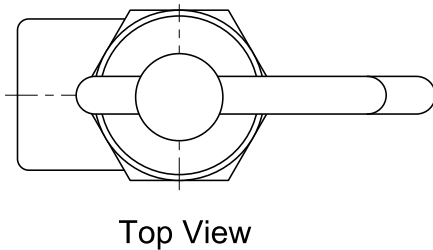
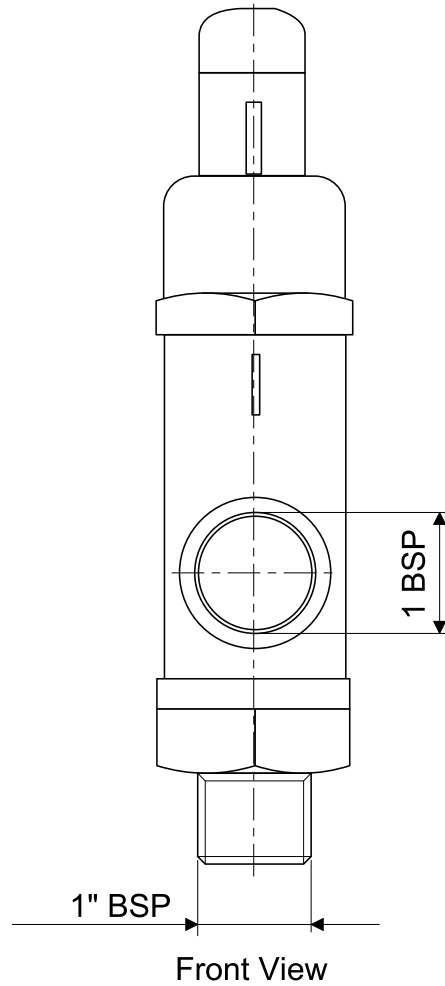
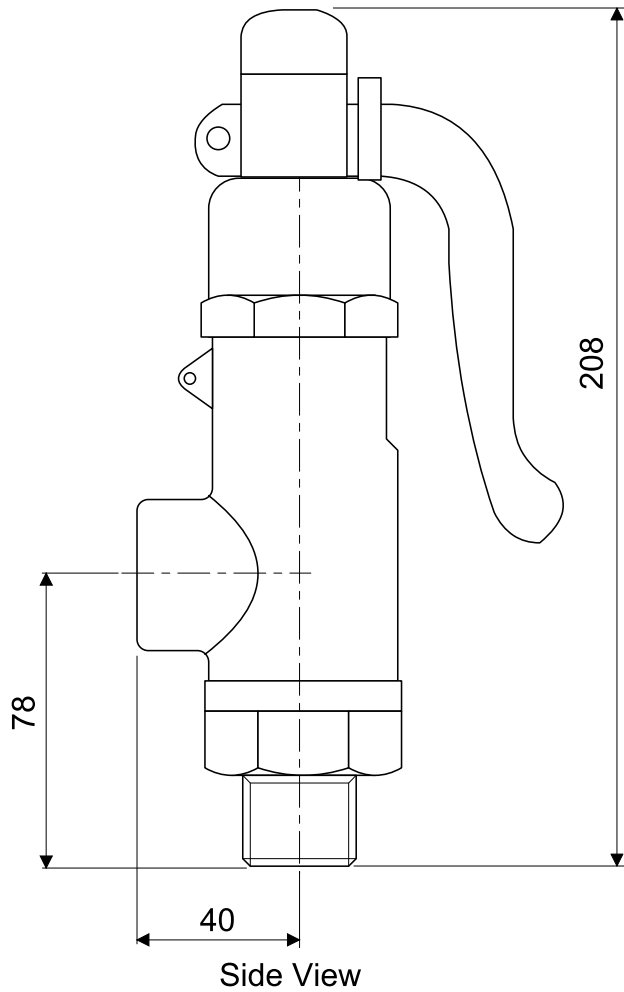
To copy or use this document without owners permission is prohibited






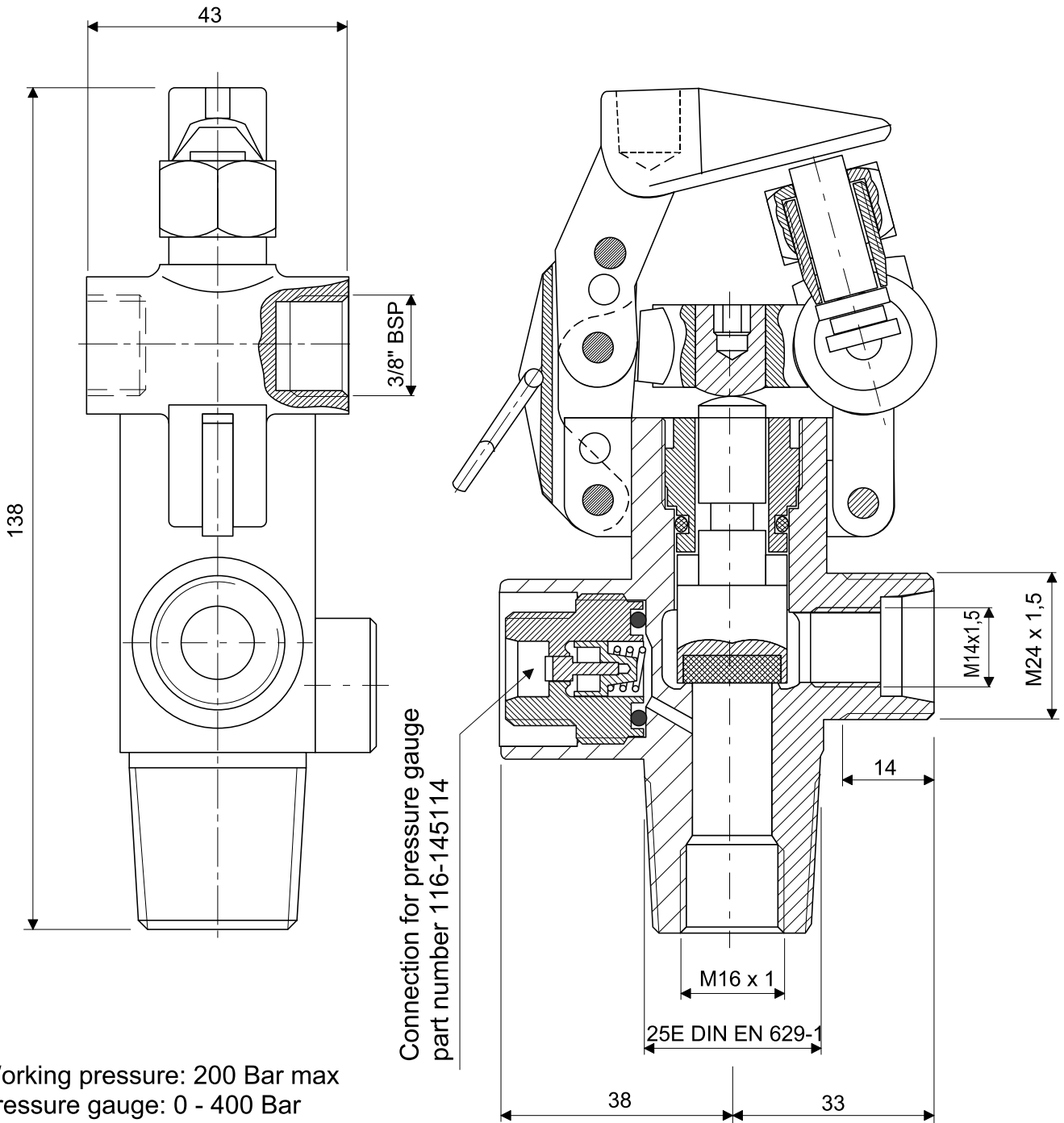
Working Pressure: 8 - 200 Bar
 Adjustable range pressure control: 8 - 28 Bar
 Content pressure gauge: 0 - 315 Bar
 Outlet pressure gauge: 0 - 40 Bar
 Material housing: Brass
 Finish: Natural
 Weight: 1,50 Kg
 Inlet: W24,32 x 1/14"
 Outlet: 3/8" BSP Male

Material: Brass	Valve, Nitrogen pressure regulator R21 <small>To copy or use this document without owners permission is prohibited</small>	Fire Suppression Systems
Data Sheet No. 117013-PDS-A		Autronica Fire and Security AS Division Maritime Industriveien 7, 3430 Spikkestad, Norway Phone: + 47 31 29 55 00, Fax: + 47 31 29 55 01 e-post: info@autronicafire.no 



Pressure range: 0,3 - 24 Bar
 Max. working pressure: 24 Bar
 Adjustable range: 12,5 - 19,3 Bar
 Max.test pressure closed: 26,2 Bar
 Max. test pressure open: 36 Bar
 Material housing: Bronze
 Material seat: Bronze
 Material spring: Stainless steel
 Material spindle: Brass
 Weight: 2,00 Kg

Material: Bronze	Valve safety with lever 1" BSP To copy or use this document without owners permission is prohibited	Fire Suppression Systems
Data Sheet No. 116025-PDS-A		Autronica Fire and Security AS Division Maritime Industriveien 7, 3430 Spikkestad, Norway Phone: + 47 31 29 55 00, Fax: + 47 31 29 55 01 e-post: info@autronicafire.no 

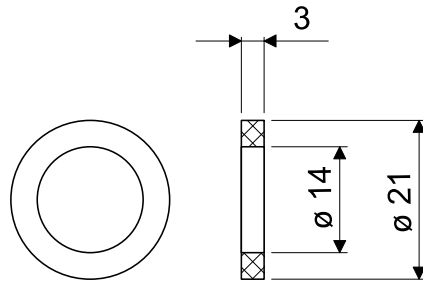


Working pressure: 200 Bar max
 Pressure gauge: 0 - 400 Bar
 Safety disc: 250 Bar
 Max. torque fitting to cylinder: 160 ⁺²⁰ Nm
 Max. torque fitting burst disc: 30 - 35 Nm
 Pilot pressure: Min 35 Bar Max 240 Bar
 Orifice: 12 mm

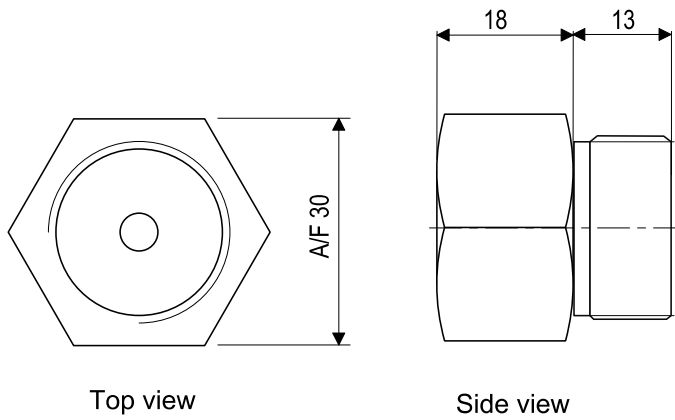
Material:	Cylinder valve pneumatic Nitrogen
Brass	
Data Sheet No. 135365-PDS-A	

To copy or use this document without owners permission is prohibited

Fire Suppression Systems
Autronica Fire and Security AS Division Maritime Industriveien 7, 3430 Spikkestad, Norway Phone: + 47 31 29 55 00, Fax: + 47 31 29 55 01 e-post: info@autronicafire.no
 AUTRONICA <small>Fire & Security Company</small>

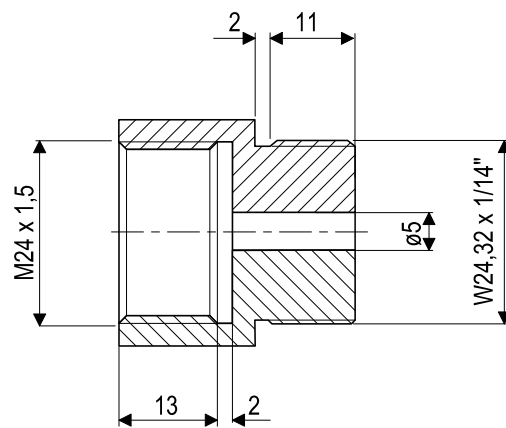


Teflon gasket, part number 183910
To be used between adapter and cylinder valve outlet.



Top view

Side view



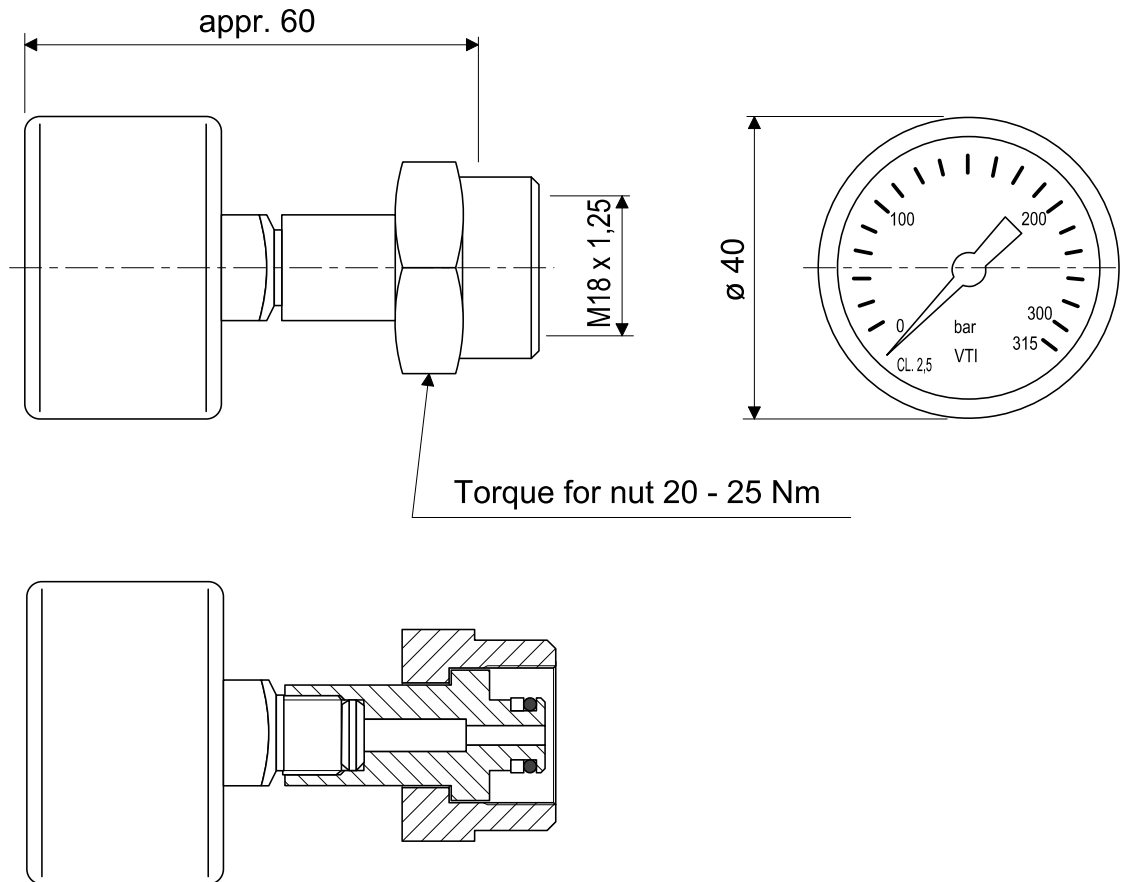
Section

Weight: 0,01 Kg


Material:	Brass
Data Sheet No.	197029-PDS-A

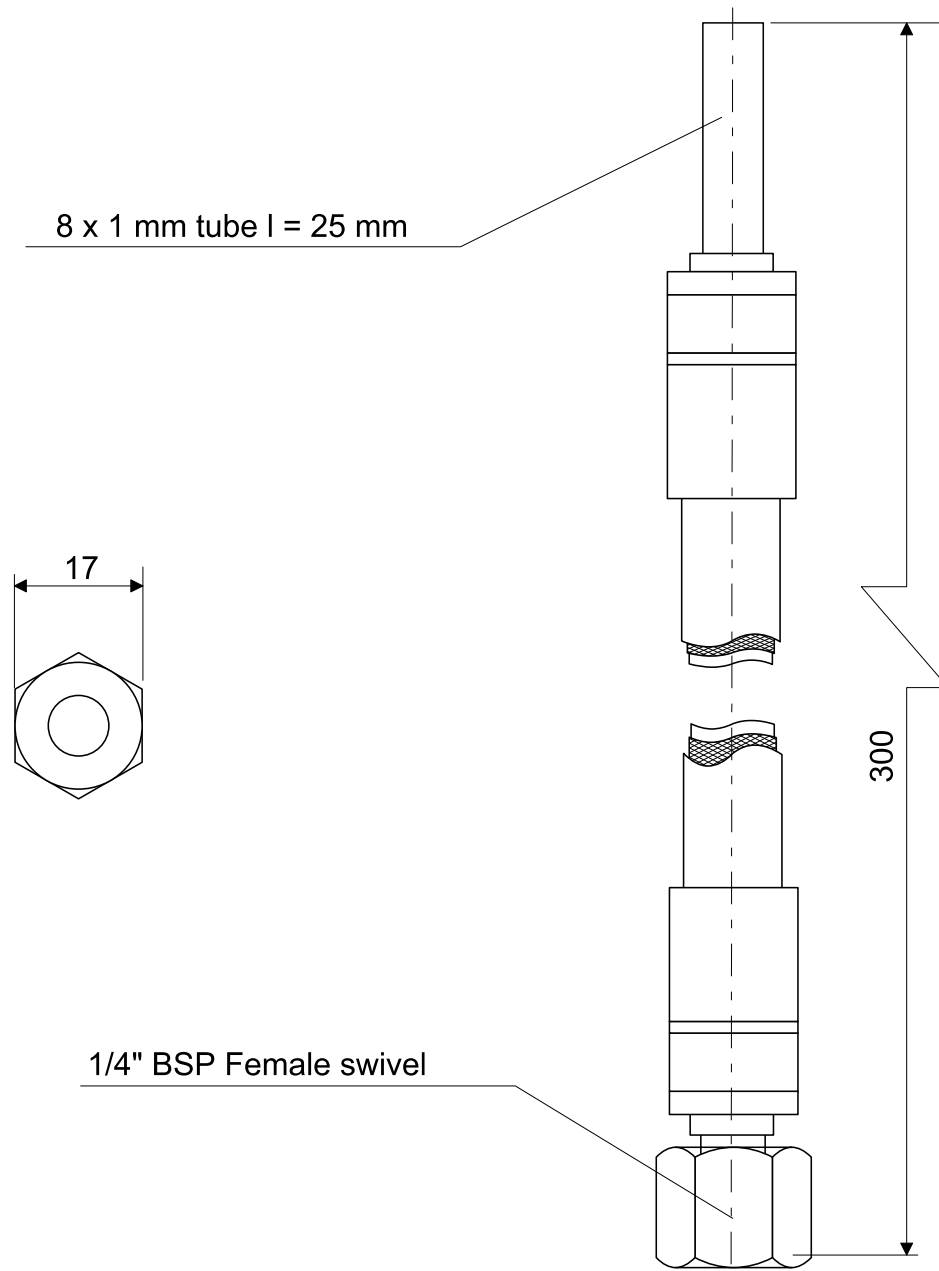
<p>Adapter N2 W24,32 x 1/14" M x M24 F</p> <p>To copy or use this document without owners permission is prohibited</p>

<p>Fire Suppression Systems</p> <p>Autronica Fire and Security AS Division Maritime Industriveien 7, 3430 Spikkestad, Norway Phone: + 47 31 29 55 00, Fax: + 47 31 29 55 01 e-post: info@autronicafire.no</p> 




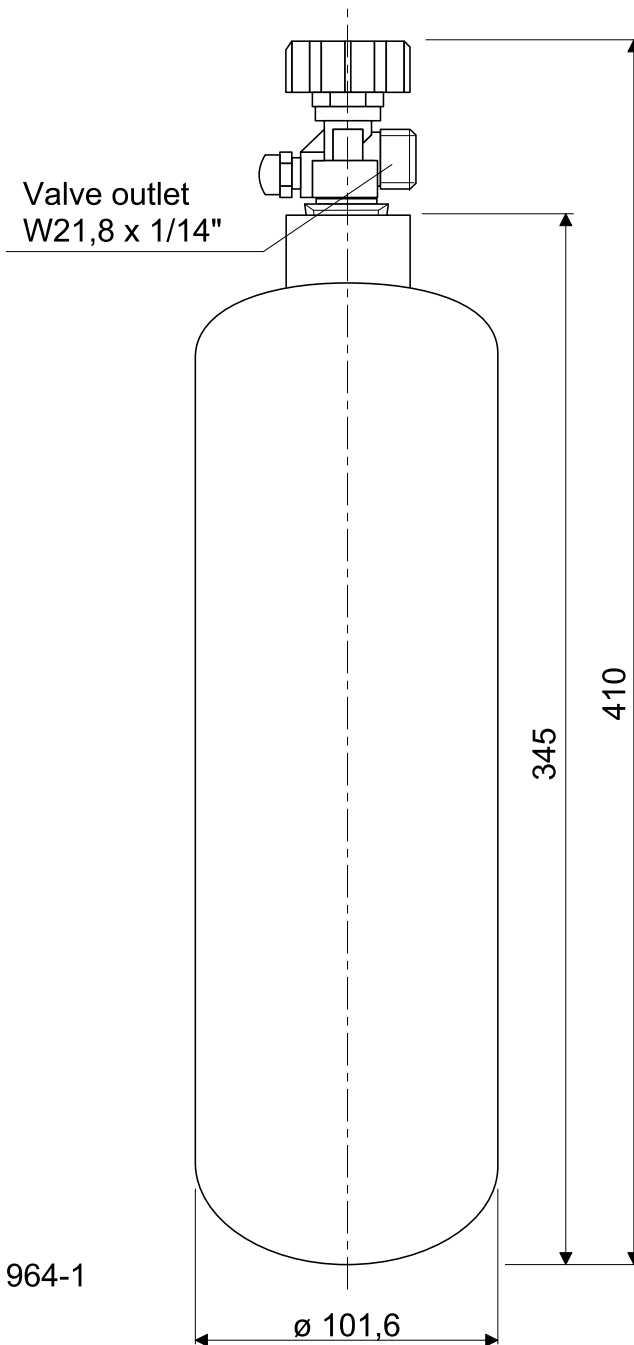
Design: per EN 837-1
 Nominal size: 40 mm
 Accuracy class: 2,5
 Scale range: NS 0 to 315 bar
 Weight: 0,1 Kg
Pressure limitation:
 Steady: 3/4 x full scale value
 Short time: full scale value
Operating temperatur:
 Smbient: -40 ... +60°C
 Sedium: +60 °C maximal
Helium leakage test
 Leak rate 10 mbar * l/s
 Case: black plastic -5

Material: Brass	Adapter / Pressure gauge unit for Nitrogen cylinder valve 116-135365 To copy or use this document without owners permission is prohibited	Fire Suppression Systems
Data Sheet No. 145114-PDS-A		Autronica Fire and Security AS Division Maritime Industriveien 7, 3430 Spikkestad, Norway Phone: + 47 31 29 55 00, Fax: + 47 31 29 55 01 e-post: info@autronicafire.no 





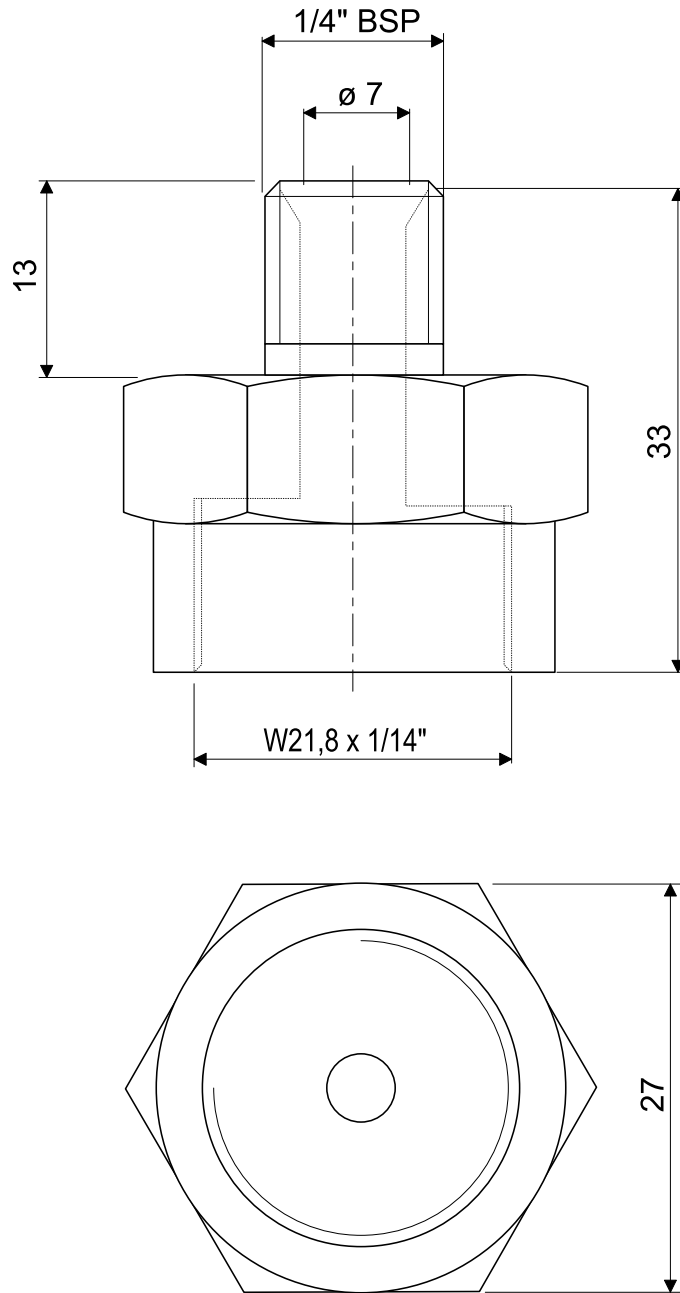
Material outer: Chloroprene rubber, weather-, oil- and abrasion resistant
 Material inner: Oil resistant synthetic rubber, black
 Steel braiding: 1 core
 Working pressure: 225 Bar
 Bending radius: min 175 mm
 Temperature: -40 to + 125 dg C
 Standard: 123 EN 853 1SN WP 160 Bar
 Couplings: Stainless steel
 Weight: 0,190 Kg

Material: See above	<p style="text-align: center;">Pilot hose rubber HP 1/4" 1/4" BSP straight x 8 tube 300 mm</p> <p style="text-align: center; font-size: small;">To copy or use this document without owners permission is prohibited</p>	Fire Suppression Systems
Data Sheet No. 161072-PDS-A		Autronica Fire and Security AS Division Maritime Industriveien 7, 3430 Spikkestad, Norway Phone: + 47 31 29 55 00, Fax: + 47 31 29 55 01 e-post: info@autronicafire.no  AUTRONICA <small>Fire & Security Company</small>




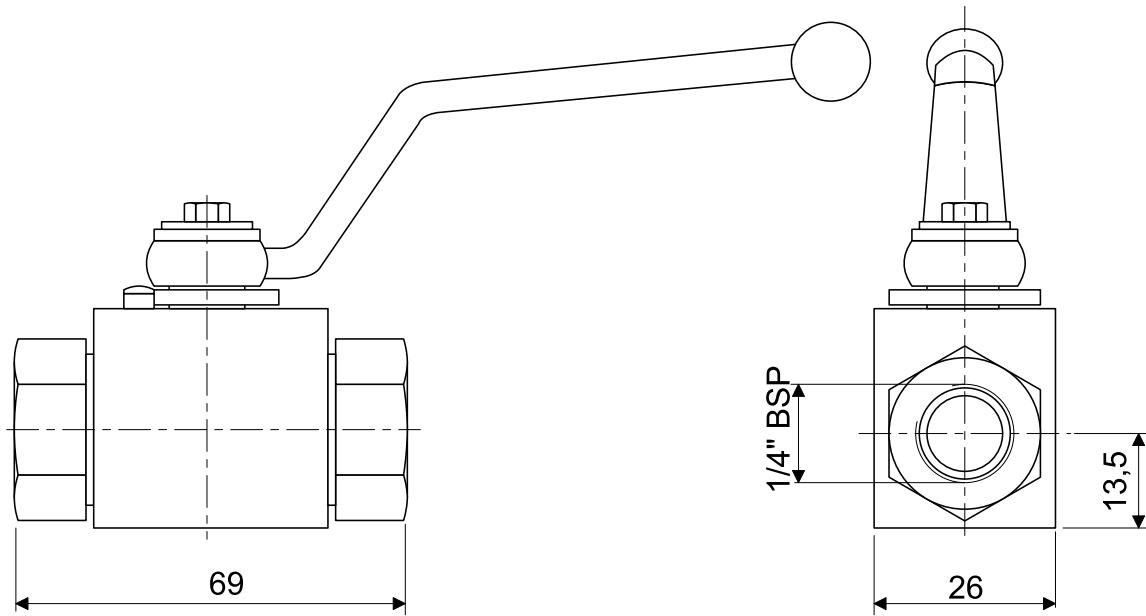
Cylinder material: Steel 34 CrMo4
 Manufacturing standard: CE-TPED EN1964-1
 Test pressure: 250 Bar
 Finish: Grey
 Neck thread: DIN 477 W 19,2 x 1/14" Tapered
 Cylinder valve: Manual wheel
 Cylinder valve standard: EN12094-4
 Valve material: Brass
 Safety disc: 190 Bar
 Volume: 2 litre
 Empty weight: ~ 3,00 Kg.
 CO2-Weight: 1,3 Kg

Material:	Pilot cylinder CO2 2 litre / 1,3 Kg CO2 <small>To copy or use this document without owners permission is prohibited</small>	Fire Suppression Systems
Data Sheet No. 301110-PDS-A		Autronica Fire and Security AS Division Maritime Industriveien 7, 3430 Spikkestad, Norway Phone: + 47 31 29 55 00, Fax: + 47 31 29 55 01 e-post: info@autronicafire.no  




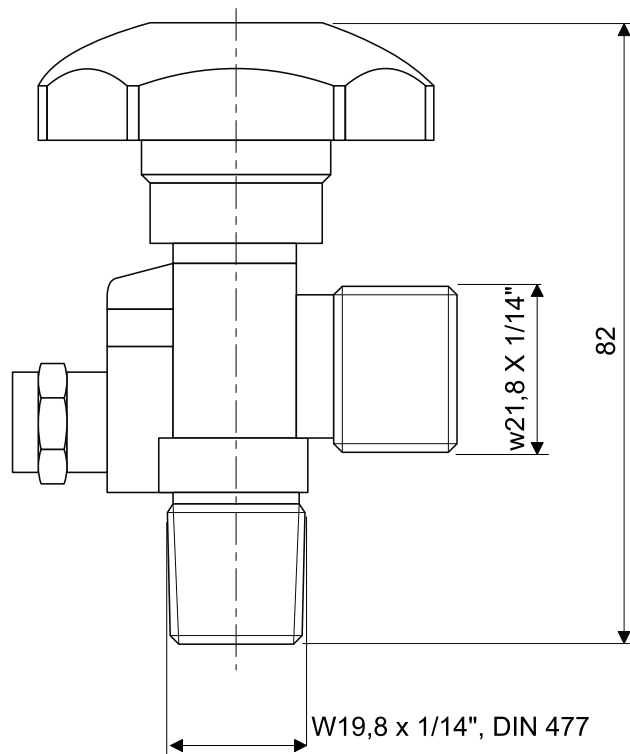
Working pressure: 100 Bar
 Weight: 0,074 Kg

Material: Brass	Adapter CO2 W21,8 F x 1/4 BSP To copy or use this document without owners permission is prohibited	Fire Suppression Systems
Data Sheet No. 197020-PDS-A		Autronica Fire and Security AS Division Maritime Industriveien 7, 3430 Spikkestad, Norway Phone: + 47 31 29 55 00, Fax: + 47 31 29 55 01 e-post: info@autronicafire.no 



Max. working pressure: 500 Bar
 Max. test pressure closed: 550 Bar
 Max. test pressure open: 750 Bar
 Weight: 0.40 Kg
 Material housing: Stainless steel
 Material ball: Stainless steel
 Material seat: POM
 Material handle: Aluminium
 Material stem: Stainless Steel
 Material sealing: NBR

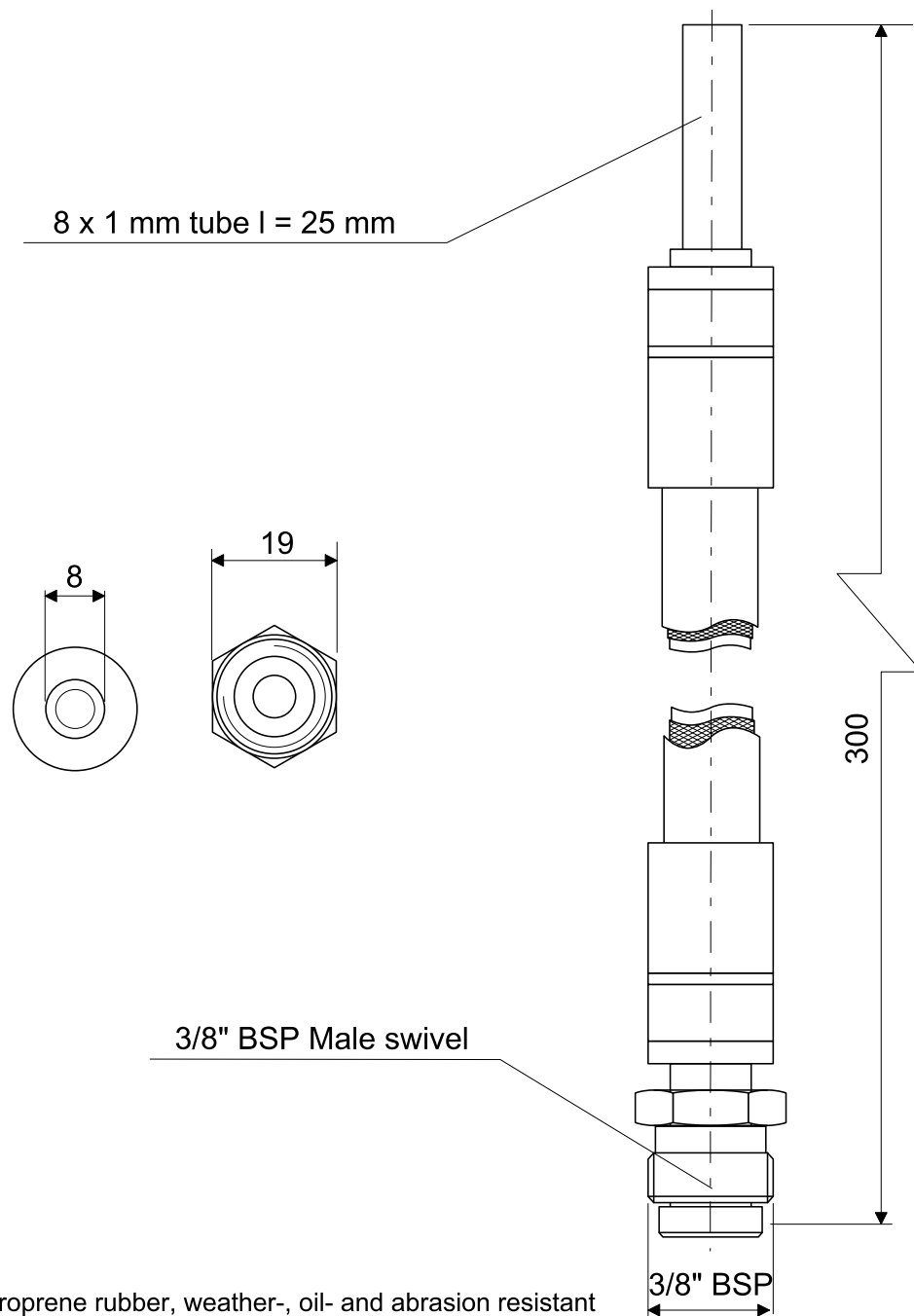
Material: Stainless Steel	Valve Ball High Pressure DN8 - 1/4" BSP - AISI 316 To copy or use this document without owners permission is prohibited	Fire Suppression Systems
Data Sheet No. 102010-PDS-A		Autronica Fire and Security AS Division Maritime Industriveien 7, 3430 Spikkestad, Norway Phone: + 47 31 29 55 00, Fax: + 47 31 29 55 01 e-post: info@autronicafire.no 




Working pressure: 200 Bar max
 Safety disc: 250 Bar
 Max. torque fitting to cylinder: 160 ⁺²⁰ Nm
 Max. torque fitting burst disc: 30 - 35 Nm
 Orifice: 2,5 mm
 Valve body: Brass
 Seat disc: Nylon
 O-rings: EPDM
 Handwheel: Aluminium

Material: Brass	Valve cylinder wheel W19,8 for CO2 Pilot cylinder <small>To copy or use this document without owners permission is prohibited</small>	Fire Suppression Systems
Data Sheet No. 135000-PDS-A		Autronica Fire and Security AS Division Maritime Industriveien 7, 3430 Spikkestad, Norway Phone: + 47 31 29 55 00, Fax: + 47 31 29 55 01 e-post: info@autronicafire.no

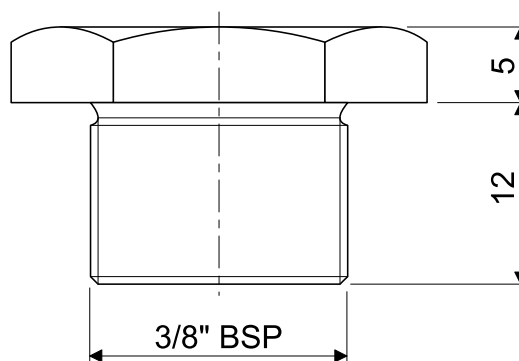
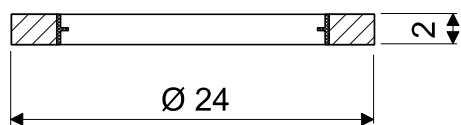
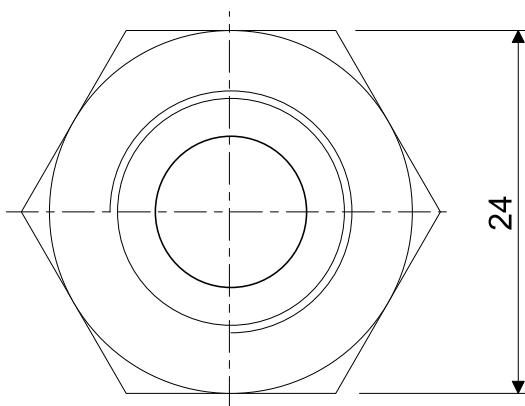
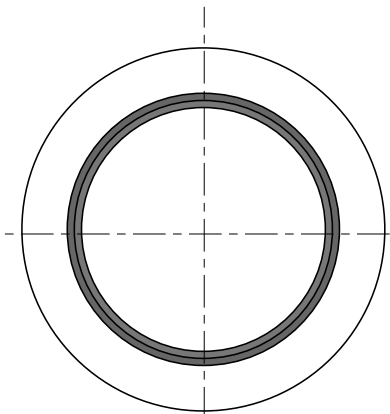




Material outer: Chloroprene rubber, weather-, oil- and abrasion resistant
 Material inner: Oil resistant synthetic rubber, black
 Steel braiding: 1 core
 Working pressure: 225 Bar
 Bending radius: min 175 mm
 Temperature: -40 to + 125 dg C
 Standard: 123 EN 853 1SN WP 160 Bar
 Couplings: Stainless steel
 Weight: 0,190 Kg

Material: See above	Pilot hose rubber HP 1/4" 3/8" BSP straight x 8 tube 300 mm To copy or use this document without owners permission is prohibited	Fire Suppression Systems
Data Sheet No. 161074-PDS-A		Autronica Fire and Security AS Division Maritime Industriveien 7, 3430 Spikkestad, Norway Phone: + 47 31 29 55 00, Fax: + 47 31 29 55 01 e-post: info@autronicafire.no 

Gasket part no. 116-183008



Gasket material: Steel w/Buna N sealing
 Weight: 0,05Kg

Material: Brass
Data Sheet No. 194108-PDS-A

**Plug for pilot line
 3/8" BSP**

To copy or use this document without owners permission is prohibited

Fire Suppression Systems

Autronica Fire and Security AS
 Division Maritime
 Industriveien 7, 3430 Spikkestad, Norway
 Phone: + 47 31 29 55 00,
 Fax: + 47 31 29 55 01
 e-post: info@autronicafire.no



FUREX K		
Main component:		potassium bicarbonate 90% +/-3%
Standard colour:		pale blue
Apparent density: (acc. DIN)	g/100 ml	> 80
Particle size: < 63 um	ca. %	75 - 95
Fluidity:	g/sec.	> 70
Temperature stability:	°C	-45 to +60
Water repellency:	All raw materials are carefully selected and of superior quality. With treatment of high grade silicons the Furex powder is non-hygroscopic under awide range of temperatures and humidity.	
Physiological safety declaration:	There are no toxicological objections upon Furex powders while handling properly and it application in case of fire	
Durability:	Long durability, if properly stored and sheltered from humidity (min. 5 years). The apperance of lumps caused by storage pressure will disappere once the powder is moved.	
Foam compatibility:	Furex powders are compatible with foams.	
Note:	<p>The mixing of different types of powder (ABC and BC) may result in caking, and the production of gas, which will invezase pressure in the container to an unsafe level.</p> <p>Recovered powder may have previously contaminated, and may have absorbed moisture. If it is then recycled the powder may eventually become lumpy and interrupt the flow of powder when used on a fire.</p> <p>Furex powder complies with the European Standard EN 615.</p>	
Packing:	The powder are supplied in 25 Kg paper bags	

Material: Potassium bicarbonate
Data Sheet No. 609000-PDS-A

<p>Dry chemical powder FUREX K</p> <p>To copy or use this document without owners permission is prohibited</p>

<p>Fire Suppression Systems</p> <p>Autronica Fire and Security AS Division Maritime Industriveien 7, 3430 Spikkestad, Norway Phone: + 47 31 29 55 00, Fax: + 47 31 29 55 01 e-post: info@autronicafire.no</p>	
--	---

Autronica Fire and Security is an international company, headquartered in Trondheim, one of the largest cities in Norway.

Our products cover a broad range of systems for integrated solutions, including fire detection systems, integrated fire and gas detection systems, control and presentation systems, voice alarm systems, public address systems, emergency light systems, plus suppression systems.

All products are easily adaptable to a wide variety of applications, among others, hospitals, airports, churches and schools, as well as to heavy industry and high-risk applications such as power plants, computer sites, offshore installations and to the marine market, world wide.

The company's strategy and philosophy is plainly manifested in the business idea:

Protecting life, environment and property.

Quality Assurance

Stringent control throughout Autronica Fire and Security assures the excellence of our products and services. Our products are CE marked and developed for worldwide standards and regulations, and conform to the CEN regulation EN54 in addition to IMO, classification societies and marine administrations. Our quality system conforms to the Quality System Standard NS-EN ISO 9001:2000 and is valid for the following product and service ranges: marketing, sales, development, engineering, manufacture, installation, commissioning and servicing of suppression, integrated fire and gas detection and alarm systems, plus petrochemical, oil and gas instrumentation systems for monitoring and control.

Autronica Fire and Security AS

Headquarters, Trondheim, Norway. Phone: + 47 73 58 25 00, fax: + 47 73 58 25 01.

Head Office Oil & Gas, Stavanger, Norway. Phone: + 47 51 84 09 00, fax: + 47 51 84 09 99.

Division Oil & Gas, Oslo, Norway. Phone: + 47 23 17 50 50, Fax: + 47 23 17 50 51

Division Oil & Gas, PO Box 416, Farnborough GU14 4AT, UK. Phone: + 47 51 84 09 00, Fax: + 44 84 52 80 20 55

Division Maritime, Suppression/New Build Detection & Alarm, Norway. Phone: + 47 31 29 55 00, Fax: + 47 31 29 55 01

Division Maritime, After Sales/Service Detection & Alarm, Norway. Phone: +47-73 58 25 00, Fax: +47-73 58 25 01

Visit Autronica Fire and Security's Web site: www.autronicafire.com