



Installation Handbook

AutoSafe Interactive Fire Detection System



COPYRIGHT ©

This publication, or parts thereof, may not be reproduced in any form, by any method, for any purpose.

Autronica Fire and Security AS and its subsidiaries assume no responsibility for any errors that may appear in the publication, or for damages arising from the information in it. No information in this publication should be regarded as a warranty made by Autronica Fire and Security AS. The information in this publication may be updated without notice.

Product names mentioned in this publication may be trademarks. They are used only for identification.



This product contains static-sensitive devices. Avoid any electrostatic discharge.

The WEEE Directive

When the marking below is shown on the product and/or its literature, it means that the product should not be disposed with other household wastes at the end of its life cycle. During waste treatment, disposal and collection, please separate the product from other types of wastes and recycle it responsibly to promote the sustainable reuse of material resources. This product should not be mixed with other commercial wastes for disposal.

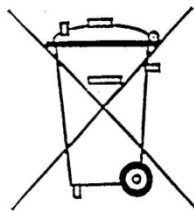


Table of Contents

1. Introduction.....	7
1.1 About the Handbook.....	7
1.2 Hardware / Software.....	7
1.3 The Reader	7
1.4 Reference Documentation.....	8
2. Safety.....	9
2.1 Important Safety Information.....	9
2.2 National Standards and Regulations.....	10
2.3 Technical Documentation.....	10
2.4 Recommendations for latest available Firmware and Operating System.....	10
2.5 System Design, Installation, Commissioning, Testing and Validation.....	11
2.6 Modifications to the products	11
2.7 Safety Notices	12
2.8 Compliance with Standards and Directives.....	12
2.8.1 Standards NFPA 70 and NFPA 72	12
2.9 Environment Compatibility.....	13
2.9.1 Recycling.....	13
2.9.2 Disposal	13
3. Pre-installation.....	14
3.1 Location	14
3.2 Environmental Requirements.....	14
3.3 Mounting Height / Space Requirement	14
4. System Units – Overview	15
4.1 Power Supplies	17
5. Loop Panels – Overview.....	18
6. Mounting Instructions	19
6.1 Introduction.....	19
6.2 Mounting Fire Alarm Control Panel BS-420/Controller BC-420.....	20
6.3 Mounting the Operator Panel BS-430	22
6.4 Mounting Repeater Panel BU-BV-420	23
6.5 Mounting Loop Panels (BV-110 and BU-110).....	25
6.6 Mounting Power Cabinet STX Range	26
6.7 Mounting Power Supply Unit BPS-410	27
6.8 Inserting Text Foils	28
6.9 Cable Inlets / Outlets.....	29
6.10 Cut Out Dimensions for Flush Mounting in a Wall	30
6.10.1 Repeater Panel BU-BV-420.....	30
6.10.2 Operator Panel BS-430.....	31

7. Power Consumption	32
7.1 Mains Power	32
7.1.1 STX Power	32
7.1.2 BPS-410	32
7.2 System Units	32
7.3 Loop Units	32
7.4 Phoenix Ethernet Switches	33
8. Cable Connection Overview	34
9. Connecting Internal Cables	35
9.1 Overview – BS-420 / BC-420	35
9.2 BS-420 / BC-420	36
9.2.1 AL_Com+ Connection on Controller Board BSA-400	36
9.2.2 AL_Com+ Connection on Communication Module BSL-310	36
9.2.3 Multifunction Serial Port Connection on Controller Board BSA-400	36
9.2.4 Multifunction Serial Port Connection on Terminal Block, List L1	37
9.2.5 Multifunction Serial Port Connection Overview – BSA-400	37
9.3 BC-440	38
9.4 Internal Earth Cabling	38
10. Connecting External Cables	39
10.1 Introduction	39
10.2 Before Connecting Cables	39
10.3 Cyber Security	39
10.4 Mains Wiring - Two-pole Disconnect Device	39
10.4.1 115/230VAC Voltage BPS-410	40
10.5 AutoFieldBus Connections	40
10.5.1 Connections to BS-420/BC-420 - Terminal Block (List 1)	40
10.5.2 Connections to Connector J2, Power Board BSF-400	41
10.5.3 Example of the Interconnection of Several Power Cabinets	41
10.6 Connection of Network Cables (AutroNet)	42
10.6.1 AutroNet Redundant Star Topology	42
10.6.2 AutroNet Single Star Topology	43
10.6.3 AutroNet Ring Topology	44
10.6.4 Connection to Controller Board BSA-400	45
10.6.5 Common Earth Connections	45
10.7 RS-485 Connections to Terminal Block, List L1	46
10.8 RS-422 Connections to Terminal Block, List L1	46
10.9 RS-232 Connections to Terminal Block, List L1	46
10.10 24V Power Connections	47
10.10.1 Connections to Controller Board BSA-400A	47
10.10.2 Connections to Power Board BSF-400	48
10.10.3 Power Connection Overview	49
10.11 Mains Power Connections	50
10.11.1 Power Cabinet STX	50
10.11.2 Power Supply BPS-410	50
11. Installing I/O Modules	51
11.1 Introduction	51
11.2 Front View of I/O Module	51

11.3	Mounting / Removing I/O Modules	52
11.3.1	General	52
11.3.2	Mounting	52
11.3.3	Removing	53
11.3.4	Before Connecting Cables	53
11.4	Data Sheets - I/O Modules	53
12.	Dual Safety Installation	54
12.1	Dual Safety System Overview	54
12.2	Rules of Thumb	54
12.2.1	Example 1: Connections Using AL_Com+ only	55
12.2.2	Example 2: Connections using both AL_Com+ and AutroFieldBus	56
12.3	Connections Overview	56
12.3.1	Connections – AutoKeeper BN-180	58
12.3.2	Switch Settings – AutoKeeper BN-180	58
13.	Cable Specifications	59
14.	Service and Maintenance	60
14.1	Introduction	60
14.2	Monthly Maintenance	60
14.3	Annual Service and Maintenance	61
14.4	Fuse Replacements	62
14.5	Battery Replacement and Maintenance	62
14.6	Testing	62
14.7	Safety Measures during Commissioning and Maintenance	63
14.8	SIL2 Approved Systems	63
14.9	Contact Information Local Service Representative	63
15.	Appendix A - Controller Board BSA 400A	64
15.1	Circuit Board Layout	64
15.2	Location inside Fire Alarm Control Panel BS-420	65
15.3	Description	65
15.4	Internal LED Indicators	66
15.5	Power Input Connector J18 (screw terminal)	66
15.6	Two-stage Push Button Reset (S5)	67
15.7	USB Ports (J10, J11)	67
15.8	Multifunction Serial Port Connector J3 - AutroFieldBus and Fault Relay	68
15.9	AutroFieldBus Connections	69
15.9.1	15.9.1 Ribbon Cable Connector BSA-400 to Terminal Block L1	69
15.10	Multifunction Serial Port Dipswitch Settings – Switch S6	70
15.11	CAN Bus Termination Dipswitch Settings - Switch S7	70
15.12	RS-485 Connections	71
15.12.1	Ribbon Cable Connector BSA-400 to Terminal Block L1	71
15.12.2	Switch Setting – Switch S6 and S1	71
15.13	RS-422 Connections	72
15.13.1	Ribbon Cable Connector BSA-400 to Terminal Block L1	72
15.13.2	Switch Setting – Switch S6 and S1	72
15.13.3	Schematic of port equivalent:	72

15.14 RS-232 Connections	73
15.14.1 Ribbon Cable Connector BSA-400 to Terminal Block L1	73
15.14.2 Switch Setting – Switch S6 and S1	73
15.15 Serial Debug Connector J21	73
15.16 AL_Com+ Connector J5.....	74
15.17 LCD Backlight Connector J17	74
15.18 Ethernet Ports (RJ-45 Connectors).....	75
15.18.1 Ethernet Straight Through Cable	75
16. Appendix B – Power	76
16.1 Power Unit BPS-410	76
16.2 Power Board BSF-400	76
16.3 Description	77
16.4 Power Block Diagram – Example.....	77
16.5 Batteries	78
16.6 Power Unit BPS-410	78
16.7 Battery Charging	78
16.8 Button S2 – Start on S2 on Standby Source.....	79
16.9 Configuration Settings.....	80
16.10 Dipswitch table – S5 and S6	81
16.11 Connector Description BPS-410	82
16.13 Fault Relay Watchdog J26	83
16.14 Battery Resistance Measurement.....	84
16.15 Electronic fuses	84
16.15.1 Power outputs	84
16.15.2 Battery Input.....	84
16.16 Part of an AutoFieldBus Network.....	85
16.17 Power Unit BPS-410 as Standalone	85
17. Appendix B - Fault messages Power Board BSF 400	86
18. Appendix C – BP 405 (Obsolete)	88
18.1 Mounting Power Cabinet BP-405 (obsolete).....	88
18.2 Power Cabinet and Power Units	91
18.2.1 Power Cabinet BP-405 (OBSOLETE).....	91
18.2.2 Power Unit BPS-405 (OBSOLETE)	91
19. Appendix D – ETL/UL Approval	92
19.1 Intertek ETL Listed Directory.....	92

1. Introduction

1.1 About the Handbook

This handbook is intended to provide all necessary information for the installation of a standard AutoSafe Interactive Fire Detection System, Release 4. It also gives detailed information on connections to Autronica's local area network (AutroNet) and guidelines for the installation and addressing of loop units.

Information on the connection of detectors and other loop units to the detection loop is found in a separate handbook.

Note that this handbook deals with the mechanical and electrical installation only. All tasks described in the handbook are to be performed without applying power to the system. Power must not be applied before commissioning, refer to Commissioning Handbook.

The chapter «Service and Maintenance» outlines the recommended monthly and annual service and maintenance procedures that should be performed after the system has been commissioned.

1.2 Hardware / Software

Systems with SW version 4.10.0 and later can have a mixed environment consisting of BSA-400A and BSA-400 based panels. Appendix A provides details on BSA-400A Controller Board in respect to circuit board layout, components, switches, connectors etc.

For more information about replacement of previous BSA-400 Controller Boards with BSA-400A Controller Boards, refer to separate handbook.

1.3 The Reader

The handbook is intended to be used by Autronica Fire and Security trained service and technical personnel who are responsible for the installation of the AutoSafe Interactive Fire Detection System, Release 4.

1.4 Reference Documentation

The table below shows an overview of the technical marketing documentation for AutoSafe Interactive Fire Detection System, Release 4.

Document Name
System Description
Installation Handbook
Commissioning Handbook
User Guide, Remote Access
Installer's Guide
Operator's Handbook
User Guide
Wall Chart
Menu Structure
Datasheet; Fire Alarm Control Panel BS-420
Datasheet; Operator Panel BS-430
Datasheet; Repeater Panel BU-BV-420
Datasheet; Fire Brigade Loop Panel BU-110
Datasheet; Information Loop Panel BV-110
Datasheet; Controller BC-420
Datasheet; Controller Unit Rack BC-440
Datasheet; Power Cabinet STX Range with power supply (2A, 5A, 10A)
Datasheet; Power Cabinet BP-405 (obsolete)
Datasheet; Power Unit BPS-405 (obsolete)
Datasheet; Power Unit BPS-410
Datasheet; AutoKeeper BN-180

NOTE:

Autronica Fire and Security provides documentation in other languages and will be continuously updated according to changes in the English version.

All documents can be downloaded at
<http://product.autronicafire.com/products/>

For detailed technical information on Phoenix Ethernet Switches, refer to Phoenix Contact web site at
<http://select.phoenixcontact.com/phoenix/dwl/dwlfr1.jsp?lang=en>

2. Safety

2.1 Important Safety Information



IMPORTANT SAFETY INFORMATION. READ ENCLOSED WARNINGS AND SAFETY INFORMATION.

THIS MANUAL CONTAINS PRODUCT SAFETY WARNINGS, WARRANTY DISCLAIMERS, LIMITATIONS OF LIABILITY

PRODUCT WARNINGS

THESE PRODUCTS ARE INTENDED FOR SALE TO, AND INSTALLATION BY, AN EXPERIENCED PROFESSIONAL. AUTRONICA FIRE AND SECURITY CANNOT PROVIDE ANY ASSURANCE THAT ANY PERSON OR ENTITY BUYING ITS PRODUCTS, INCLUDING ANY "AUTHORIZED DEALER", IS PROPERLY TRAINED OR EXPERIENCED TO CORRECTLY INSTALL FIRE RELATED PRODUCTS.

A PROPERLY INSTALLED AND MAINTAINED PRODUCT/SYSTEM MAY ONLY REDUCE THE RISK OF EVENTS SUCH AS FIRE, SMOKE; IT IS NOT INSURANCE OR A GUARANTEE THAT SUCH EVENTS WILL NOT OCCUR, THAT ADEQUATE WARNING OR PROTECTION WILL BE PROVIDED, OR THAT THERE WILL BE NO DEATH, PERSONAL INJURY, AND/OR PROPERTY DAMAGE AS A RESULT.

AUTRONICA FIRE AND SECURITY BATTERY OPERATED SENSORS, DETECTORS AND PANEL ACCESSORIES HAVE A LIMITED BATTERY LIFE. WHILE THESE PRODUCTS ARE DESIGNED TO PROVIDE SOME WARNING OF IMMINENT BATTERY DEPLETION THE ABILITY TO DELIVER SUCH WARNINGS IS LIMITED AND SUCH WARNINGS MAY NOT BE PROVIDED IN ALL CIRCUMSTANCES. PERIODIC TESTING OF THE SYSTEM IN ACCORDANCE WITH THE INSTRUCTIONS PROVIDED IN THE USER MANUAL IS THE ONLY WAY TO ENSURE ALL SENSORS, DETECTORS AND PANEL ACCESSORIES ARE FUNCTIONING PROPERLY.

WARRANTY DISCLAIMERS

TO THE MAXIMUM EXTENT PERMITTED BY LAW, AUTRONICA FIRE AND SECURITY HEREBY DISCLAIMS ALL WARRANTIES AND REPRESENTATIONS, WHETHER EXPRESS, IMPLIED, STATUTORY OR OTHERWISE INCLUDING (BUT NOT LIMITED TO) ANY WARRANTIES OF MERCHANTABILITY OR FITNESS FOR A PARTICULAR PURPOSE WITH RESPECT TO ITS PRODUCTS AND RELATED SOFTWARE. AUTRONICA FIRE AND SECURITY FURTHER DISCLAIMS ANY OTHER IMPLIED WARRANTY OF MERCHANTABILITY OR FITNESS.

AUTRONICA FIRE AND SECURITY MAKES NO REPRESENTATION, WARRANTY, COVENANT OR PROMISE THAT ITS PRODUCTS AND/OR RELATED SOFTWARE (I) WILL NOT BE HACKED, COMPROMISED AND/OR CIRCUMVENTED; (II) WILL PREVENT, OR PROVIDE ADEQUATE WARNING OR PROTECTION FROM, FIRE, SMOKE; OR (III) WILL WORK PROPERLY IN ALL ENVIRONMENTS AND APPLICATIONS.

2.2 National Standards and Regulations

Products from Autronica Fire and Security are developed and manufactured in compliance with international safety standards. Any additional national or local safety standards that apply where the equipment is installed and operated, must also be taken into account together with the safety regulations in the product documentation.

2.3 Technical Documentation



Anyone installing, commissioning, using or maintaining Autronica Fire and Security products must follow the instructions in this handbook and other applicable handbooks or standards in order to ensure safe operation of the products and services. It is their responsibility to ensure that updated documentation is used. The most recent electronic versions can be downloaded from the Autronica product web <http://product.autronicafire.com/products/>

2.4 Recommendations for latest available Firmware and Operating System



We strongly recommend to always make sure that the systems are operated with the latest available firmware/operating system in order to ensure optimal operation and performance at all times.

2.5 System Design, Installation, Commissioning, Testing and Validation



When installing and commissioning an Autronica system, including interfacing Autronica systems with external systems, the following applies:

- All equipment used for interfacing must comply with the intended purpose and specified ratings and limits (e.g., but not limited to, current, voltage or temperature limits) during both normal (e.g. standby or activation) and faulty operating conditions/modes (e.g. short circuit or break).
- Safety systems, including external interfaced systems and their status transmission paths (e.g. alarm, fault transmission or monitored input/outputs), must be tested according to applicable regulations (e.g. EN54, UL) to ensure proper operation during both normal and faulty operating conditions (e.g. short circuit or break).
- During system commissioning, to ensure that the system works as intended, the complete system (including, but not limited to the following: control panel, detectors, control functions, activation groups, activation of inputs/outputs and cause-and-effect configuration) must be tested and verified. The same applies when making changes to the system (e.g. changes to the loop setup and configuration or addition of alarm devices). Any part of the system affected by the changes must be tested to ensure normal and intended operation.
- During commissioning, system maintenance or similar, service personnel must take appropriate action in order to avoid unmotivated activation of outputs connected to safety-critical systems. Such actions may be, but is not limited to, SW disablement of outputs or physically disconnection of solenoids.

2.6 Modifications to the products





Modifications to the products mentioned in this handbook shall **not** be carried out. If a fault or malfunction occurs, the product in question shall be replaced with a new one. Contact your local Autronica contact or dealer for further information.

Autronica Fire and Security AS disclaims all liability or responsibility for any injuries or death, damage, faults, malfunctioning and safety risks that may occur due to the use of a product that has been modified.

2.7 Safety Notices

Throughout this handbook you will find safety notices, warnings and cautions.

Safety Words	Symbol / Description
NOTICE	 Notifies people of important installation, operation, or maintenance information that is NOT HAZARD RELATED
CAUTION	 Indicates the presence of a hazard that will or could cause personal injury or property damage if ignored

2.8 Compliance with Standards and Directives

Our product portal <http://product.autronicafire.com/certificates/> provides information about certificates, standards and approval bodies.

2.8.1 Standards NFPA 70 and NFPA 72

To meet UL 864 installation requirements, the AutoSafe installation must be in accordance with the following standards:

- National Electrical Code, NFPA 70
- National Fire Alarm Code, NFPA 72

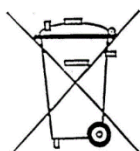
2.9 Environment Compatibility

2.9.1 Recycling



The product is manufactured using materials and procedures which comply with current environmental protection standards EMC, RoHS, LVD and WEEE.

2.9.2 Disposal



The WEEE Directive

The product is considered an electronic device for disposal in accordance with the European Guidelines. The device must be disposed through channels provided for this purpose.

The product should not be disposed with other household wastes at the end of its life cycle. During waste treatment, disposal and collection, please separate the product from other types of wastes and recycle it responsibly to promote the sustainable reuse of material resources. This product should not be mixed with other commercial wastes for disposal.

Make sure to comply with all local and currently applicable laws and regulations.

3. Pre-installation

3.1 Location

The Fire Alarm Control Panel or Operator Panel must be located in, or nearby, the entrance according to local regulations and in consultation with the fire brigade.

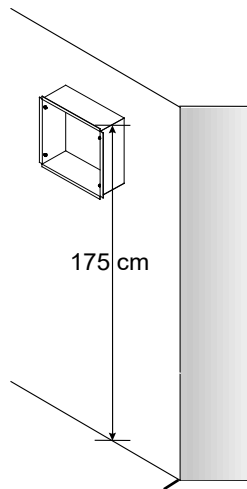
Repeater Panels (Fire Brigade Panels and Information Panels), Controllers and Power Cabinets must be placed according to local regulations and in consultation with the fire brigade.

3.2 Environmental Requirements

For information on environmental requirements for AutoSafe equipment, refer to separate datasheets.




3.3 Mounting Height / Space Requirement

To ensure optimal readability of the Fire Alarm Control Panel's display, the recommended mounting height of this cabinet top is approximately 175 cm above the floor. Other panels should be mounted accordingly.

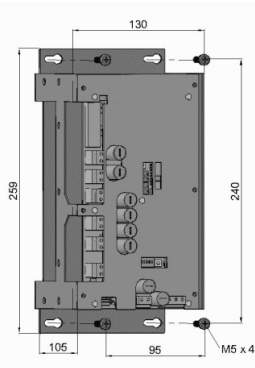


4. System Units – Overview

For detailed information on each system unit, refer to separate datasheets.

System Unit	Description
	<p>Fire Alarm Control Panel BS-420</p> <p>BS-420 is a complete fire alarm control panel with full operation capabilities. The panel serves as an operating panel for one or several defined <i>operation</i> zones. All alarm handling and system features can be controlled and monitored from the panel.</p> <p>The panel provides connections for:</p> <ul style="list-style-type: none"> • 2 Ethernet ports and 2 USB host ports • 1 RS-232, RS-422 or RS-485 serial port for communication with third party equipment • 1 AutoFieldBus (AFB) interface • 1 ACom+ interface • Panel Operational State output • Power redundant <p>Dimensions: HxWxD (mm): 350 x 350 x 161</p>
	<p>Operator Panel BS-430</p> <p>BS-430 serves as an operating panel for one or several defined <i>operation</i> zones.</p> <p>All alarm handling and system features can be controlled and monitored from the panel.</p> <p>Dimensions: HxWxD (mm): 350 x 350 x 84</p>
	<p>Repeater Panel BU-BV-420</p> <p>The Repeater Panel BU-BV-420 serves as both a Fire Brigade Panel and an Information Panel. Settings on a dipswitch determine the type of panel.</p> <p>The Fire Brigade Panel displays alarms and allows you to operate alarms and receive additional information related to the relevant operation zone.</p> <p>The Information Panel serves as an indication device only. It provides information related to the defined operation zone(s).</p> <p>Dimensions: HxWxD (mm): 195 x 350 x 84</p>

	<p>Controller BC-420</p> <p>The Controller, BC-420, serves as a connection unit for the detection loop, alarm sounders, controls and inputs.</p> <p>It can accommodate up to a maximum of 12 modules.</p> <p>The panel provides connections for:</p> <ul style="list-style-type: none"> • 2 Ethernet ports and 2 USB host ports • 1 RS-232, RS-422 or RS-485 serial port for communication with third party equipment • 1 AutoFieldBus (AFB) interface • 1 ACom+ interface • Panel Operational State output <p>Dimensions: HxWxD (mm): 350 x 350 x 161</p>
	<p>Controller BC-440</p> <p>The Controller Rack Unit BC-440 serves as a connection unit for the detection loop, alarm sounders, controls and inputs. It is a variant of the BC-420 Controller prepared for rack installations. Together with the IO modules the unit will have the full functionality of the BC-420 Controller.</p> <p>Dimensions: 3Ux12HPx200mm</p>
	<p>Power Cabinet STX Range with power supply</p> <p>The Power Cabinet STX is available in three different versions, including either a 2A, 5A or 10A power supply. All versions have space for two 12V/18Ah batteries (<i>not</i> included).</p> <p>If larger batteries are required, a battery box can be ordered separately. The battery box provides space for two 12V/65Ah batteries (<i>not</i> included).</p> <p>Power supply failures that may occur must be reported to the AutoSafe panel. In order to report such failures, an additional input module is required. Other input modules can be used for this purpose, for example, BN-303, BN-304 or BN-305.</p> <p>Dimensions power cabinet: HxWxD (mm): 420 x 400 x 80</p> <p>Dimensions battery box: HxWxD (mm): 534 x 465 x 268</p> <p>For further information, see datasheet.</p>

	<p>Power Unit BPS-410</p> <p>BPS-410: 24V/10A power supply</p> <p>The unit includes: Power Board BSF-400, including: AutoFieldBus interface 115VAC /230VAC input 6 outputs 24VDC (max. 2A each) 1 fault relay output</p> <p>Dimensions: HxWxD (mm): 130 x 259 x 120</p>
---	--

4.1 Power Supplies

The power cabinet STX Range (three variants) and the BPS-410 Power Unit are all approved according to EN-54.

In general, the type of power supply must be selected according to project specifications.

Note:

If BSD-330 (interface between the AutoSafe detector loop protocol and BS-100 loop protocol) is to be used, the BPS-410 Power Unit must be used.


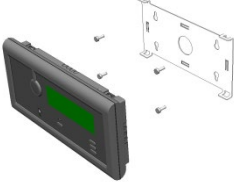

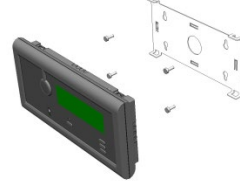
Refer to chapter 6.6 and chapter 6.7 for details on mounting.

For further details, refer to datasheets for these power supplies which you can find on the Autronica product web

<http://product.autronicafire.com/products/>

5. Loop Panels – Overview

The 100-series provides the following panels and wall brackets:

<p>Information Loop Panel (BV-110)</p> <p>Mounted onto a wall bracket (UD-732).</p> <p>Dimensions (mm): HxWxD (mm): 154 x 310 x 45</p>		
<p>Fire Brigade Loop Panel (BU-110)</p> <p>Mounted onto a wall bracket (UD-732).</p> <p>Dimensions (mm): HxWxD (mm): 154 x 310 x 45</p>		

6. Mounting Instructions

6.1 Introduction

The following chapters deal with the mounting of:

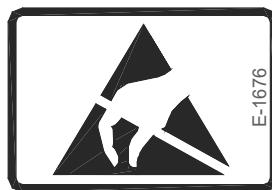
- Fire Alarm Control Panel BS-420 / Controller BC-420
- Operator Panel BS-430
- Repeater Panel BU-BV-420 (Fire Brigade Panel / Information Panel)
- Loop Panels (Information Loop Panel BV-110 and Fire Brigade Loop Panel BU-110)
- Power Cabinet STX Range
- Power Unit BPS-410

The following is delivered together with the system units:

- Fireman's key (delivered with all system units, except for BC-420 and BPS-410)
- Unbraco key (to lock/unlock the front panel) – (not delivered with BPS-410)
- Plastic cap to cover the key hole (Repeater Panel only; when Repeater Panel BU-BV-420 is to be used as an Information Panel)
- 11 Rubber glands for entry of external cables
- Text foils

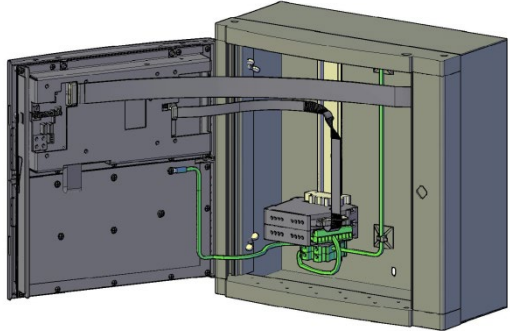
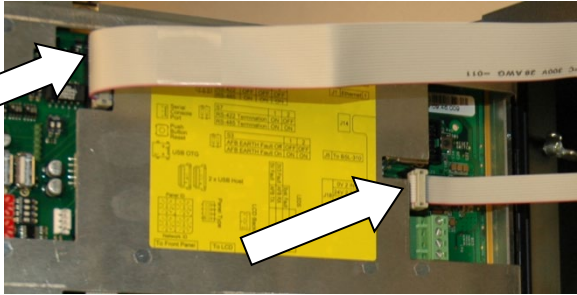
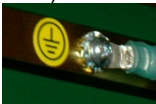
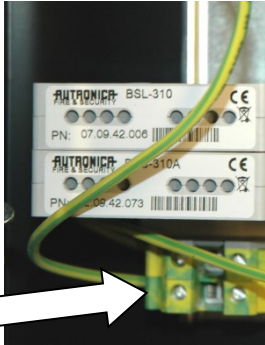
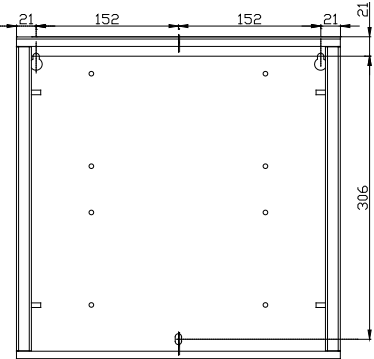
A general description of flush mounting Repeater Panel BU-BV-420 and Operator Panel BS-430 in a wall is described in a chapter 5.10.

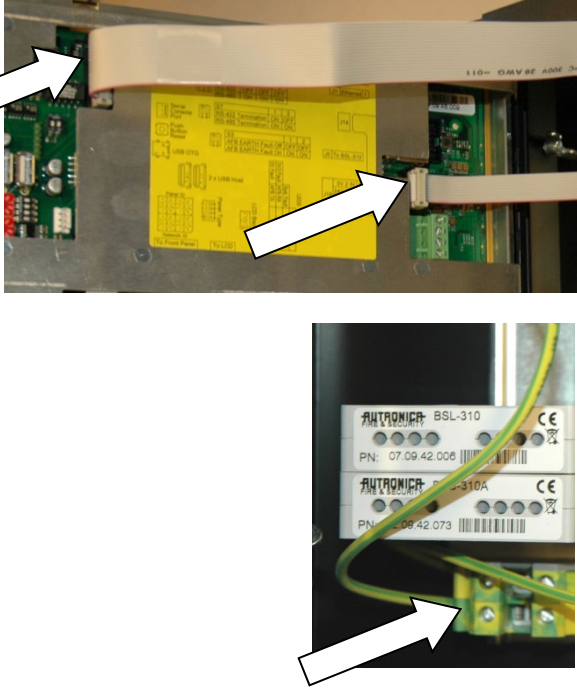
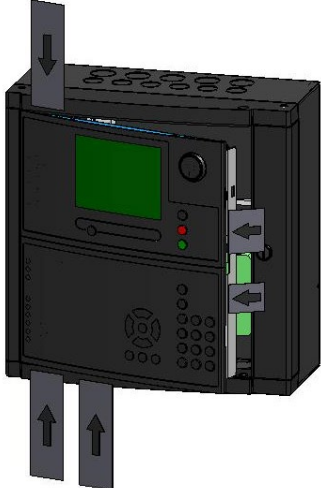
For information on mounting the Controller Rack BC-440, refer to separate datasheet.





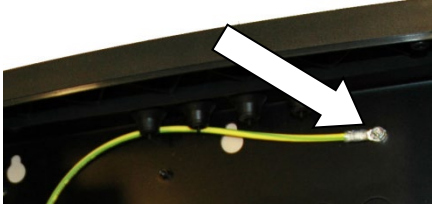
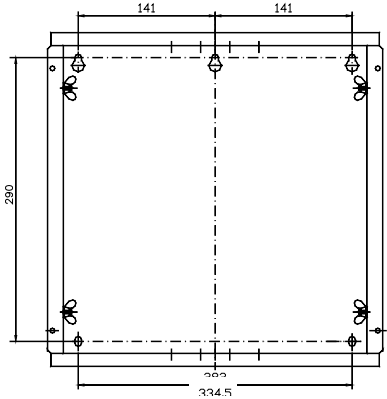
This product contains static-sensitive devices.
Always use an antistatic wrist strap / earth bracelet to avoid any electrostatic discharge.

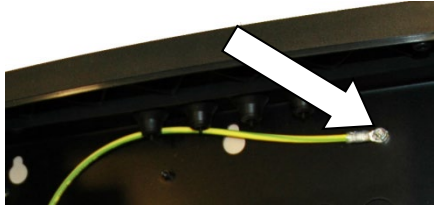
6.2 Mounting Fire Alarm Control Panel BS-420/Controller BC-420

<ul style="list-style-type: none"> ■ Unlock the front panel by turning the unbraco key clockwise. ■ Open the front panel. 	<p>In order to easily access the mounting holes when mounting the cabinet, the front panel should be removed.</p>	
<ul style="list-style-type: none"> ■ Disconnect both ribbon cables from the front panel. 		
<ul style="list-style-type: none"> ■ Unscrew and disconnect the earth cable from the termination block inside the cabinet. 	<p>Note: Do NOT unscrew the earth cable from the connection point on the front panel (PE=Protective Earth).</p> 	
<ul style="list-style-type: none"> ■ Loosen the 4 wing nuts located on the right and left hand side of the cabinet, then close the front panel, and remove the front panel from the cabinet. 		
<ul style="list-style-type: none"> ■ Mark and drill the 3 holes according to the illustration. 	<p>The cabinet has 3 mounting holes located at the rear. The 2 upper holes are of key-hole-type.</p>	


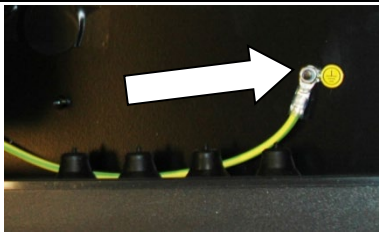
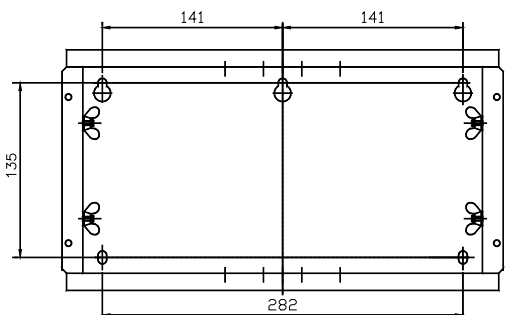
<ul style="list-style-type: none"> ■ Partly fasten the upper screws. ■ Hang the cabinet onto the upper screws. ■ Partly fasten the bottom screw. ■ Tighten all screws. 		
<ul style="list-style-type: none"> ■ Feed all the external cables into the cabinet from the top or bottom through the suitable cable inlets. 	<p>For detailed information on the connection of external cables, see chapter 10.</p>	
<ul style="list-style-type: none"> ■ Reassemble the front panel and tighten the 4 wing nuts. 		
<ul style="list-style-type: none"> ■ Reconnect the cables between the front panel and the cabinet. 		
<ul style="list-style-type: none"> ■ Insert the text foils (in the appropriate language) into their respective positions. 	<p>For detailed description of the various text foils, see chapter 6.8.</p>	

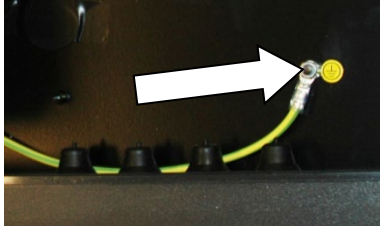
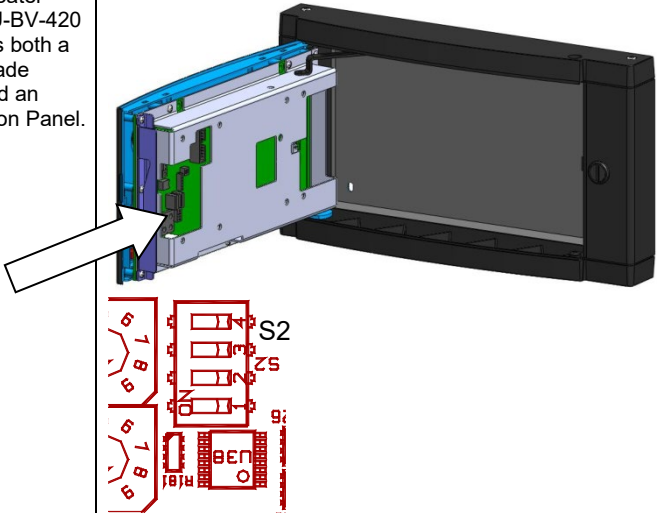
6.3 Mounting the Operator Panel BS-430

Instructions	Remarks	Illustrations
<ul style="list-style-type: none"> ■ Unlock the front panel by turning the unbraco key clockwise. ■ Open the front panel. 	<p>In order to easily access the mounting holes when mounting the cabinet, the front panel should be removed.</p>	
<ul style="list-style-type: none"> ■ Unscrew and disconnect the earth cable from the termination point inside the cabinet. 	<p>Note: Do NOT unscrew the earth cable from the connection point on the front panel (PE=Protective Earth).</p> 	
<ul style="list-style-type: none"> ■ Unscrew the 4 wing nuts located on the right and left hand side of the cabinet, then close the front panel, and remove the front panel from the cabinet. 		
<ul style="list-style-type: none"> ■ Mark and drill the 3 holes. 	<p>The cabinet has 5 mounting holes located at the rear. The 3 upper holes are of key-hole-type.</p>	
<ul style="list-style-type: none"> ■ Partly fasten the upper screws. ■ Hang the cabinet onto the upper screws. ■ Partly fasten the bottom screw. ■ Tighten all screws. 		
<ul style="list-style-type: none"> ■ Feed all the external cables into the cabinet from the top through the suitable cable inlets. 	<p>For detailed information on the connection of external cables, see chapter 10.</p>	


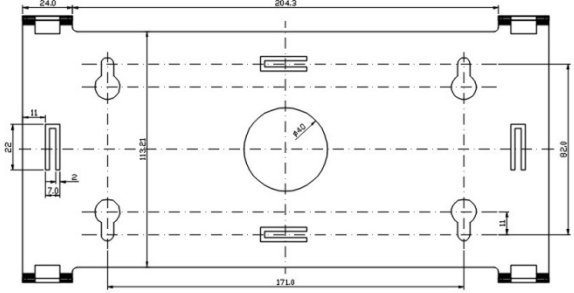
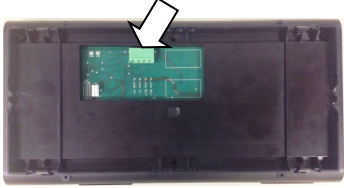
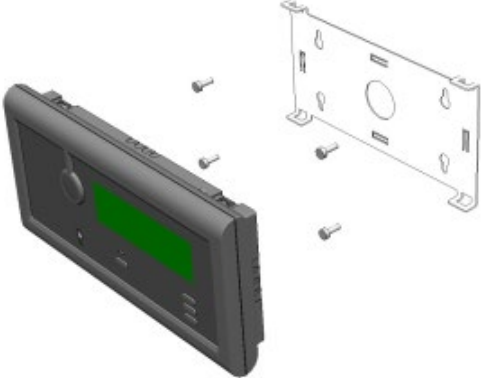
Instructions	Remarks	Illustrations
<ul style="list-style-type: none"> Reassemble the front panel and tighten the 4 wing nuts. 		
<ul style="list-style-type: none"> Reconnect the earth cable to the termination point inside the cabinet (PE=Protective Earth). 		
<ul style="list-style-type: none"> Insert the text foils (in the appropriate language) into their respective positions. 	For detailed description of the various text foils, see chapter 6.8	

6.4 Mounting Repeater Panel BU-BV-420

Instructions	Remarks	Illustrations
<ul style="list-style-type: none"> Unlock the front panel by turning the unbraco key clockwise. Open the front panel. 	In order to easily access the mounting holes when mounting the cabinet, the front panel should be removed.	
<ul style="list-style-type: none"> Unscrew and disconnect the earth cable from the termination point inside the cabinet. 	Note: Do NOT unscrew the earth cable from the connection point on the front panel (PE=Protective Earth).	
<ul style="list-style-type: none"> Unscrew the 4 wing nuts located on the right and left hand side of the cabinet, then close the front panel, and remove the front panel from the cabinet. 		
<ul style="list-style-type: none"> Mark and drill all 3 holes. 	The cabinet has 5 mounting holes located at the rear. The upper 3 holes are of key-hole-type.	
<ul style="list-style-type: none"> Partly fasten the upper screws. 		

Instructions	Remarks	Illustrations
<ul style="list-style-type: none"> Hang the cabinet onto the upper screws. Partly fasten the bottom screw. Tighten all screws. 		
<ul style="list-style-type: none"> Feed all the external cables into the cabinet from the top through the suitable cable inlets. 	<p>For detailed information on cable connections, see chapter 9.</p>	
<ul style="list-style-type: none"> Reassemble the front panel and tighten the 4 wing nuts. 		
<ul style="list-style-type: none"> Reconnect the earth cable to the termination point inside the cabinet (PE=Protective Earth). 		
<ul style="list-style-type: none"> Set the appropriate dipswitch settings on dipswitch S2 (Controller Board BSA-400) according to the type of panel (either a Fire Brigade Panel or an Information Panel). 	<p>The Repeater Panel BU-BV-420 serves as both a Fire Brigade Panel and an Information Panel.</p>	 <p>Fire Brigade Panel S2-1 ON S2-2 ON S2-3 OFF S2-4 OFF</p> <p>Information Panel S2-1 ON S2-2 OFF S2-3 ON S2-4 OFF</p>
<ul style="list-style-type: none"> If the panel is to be used as an Information Panel, snap the plastic cap on top of the keyhole. 	<p>The Information Panel is an indication device only. The plastic covering is delivered together with the panel.</p>	
<ul style="list-style-type: none"> Insert the text foils (in the appropriate language) into their respective positions. 	<p>For detailed description of the various text foils, see chapter 6.8.</p>	

6.5 Mounting Loop Panels (BV-110 and BU-110)

Instructions	Illustrations
<ul style="list-style-type: none"> ■ Find the text foils in the relevant language for the panel, and insert the text foils in the correct locations (there are two different foils in one foil kit) ■ Through the small hole near the slot, use a small screwdriver or similar to slightly bend the edge (approx. 1mm) of each foil until the edge slips behind the opening of the slot. 	
<ul style="list-style-type: none"> ■ Mount the wall bracket onto the wall. <p>Make sure to mount the panel onto a wall with a flat surface in order to maintain IP rating (IP32).</p>	
<ul style="list-style-type: none"> ■ Connect AL_Com loop cables to the correct terminal points on connector J3: J3-1: In+ J3-2: In- J3-3: Out+ J3-4: Out- 	
<ul style="list-style-type: none"> ■ Place and centre the lower part of the panel onto the lower part of the bracket, then simply push the upper part of the panel towards the bracket until it snaps on. 	

6.6 Mounting Power Cabinet STX Range

AutoSafe Release 4 provides Power Cabinet STX Range. The power cabinet is available in three different versions, including either a 2A, 5A or 10A power supply. All versions have space for two 12V/18Ah batteries (not included).

To ensure proper mounting and installation, we recommended that the manual for the power cabinet in question (2A, 5A or 10A) is read and followed.

2A power cabinet:

http://product.autronicafire.com/filesshare/filarkivroot/produkt/dokumentation/PAK200582_02D%20STX2402.pdf

5A power cabinet:

<http://product.autronicafire.com/products/fire-and-gas-detection-systems/fg-system-units/power-supply-units/stx-5a/>

10A power cabinet:

<http://product.autronicafire.com/products/fire-and-gas-detection-systems/fg-system-units/power-supply-units/stx-10a/>



Note that the Power Cabinet must be mounted maximum 10 cm away from the Fire Alarm Control Panel BS-420 or a Controller BC-420.

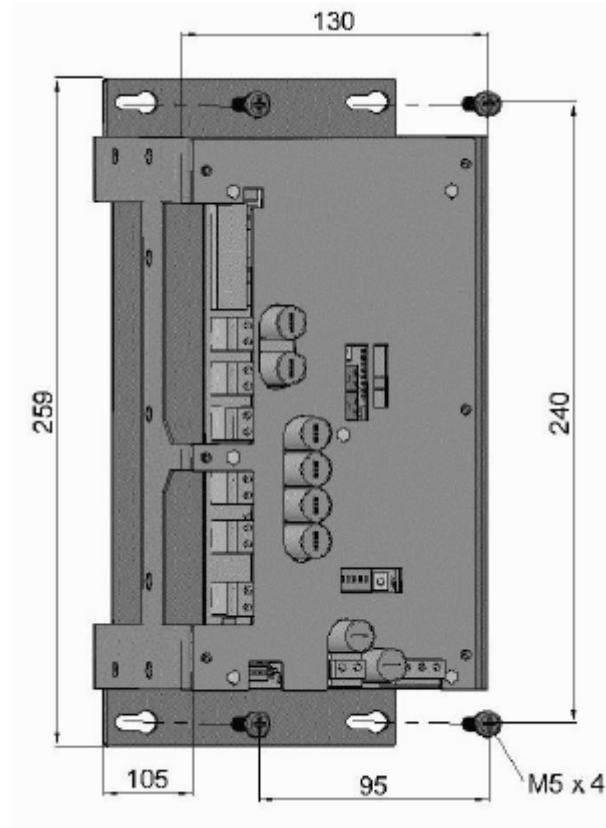
For power distribution to fire alarm controller, check the schematics included in the datasheet for the power cabinet that is to be used.

6.7 Mounting Power Supply Unit BPS-410

The unit can be mounted inside a rack or consol. The hole and screw dimensions are shown below.

Note that the BPS-410 Power Supply Unit 24VDC/10A is delivered as two separate part numbers:

- 116-BPS-410 for 230VAC
- 116-BPS-410/115 for 115VAC



The dipswitch settings on the Power Board BSF-400 (dipswitch S6-6) determines the type of power unit.

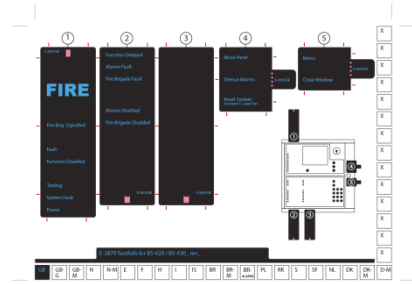
Dip-switch	Name	Description
S6-6	Power Unit Type	OFF: BPS-410 ON: BPS-405 (obsolete)

For further information on dipswitch settings, refer to 16.9. Note that when using Power Unit BPS-410 (including a 24V/10A power supply), a calibration procedure must be performed. Refer to the Commissioning Handbook, Calibration Procedure – Power Unit BPS-410.

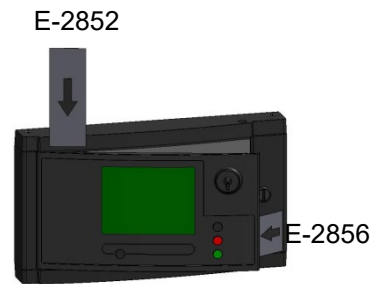
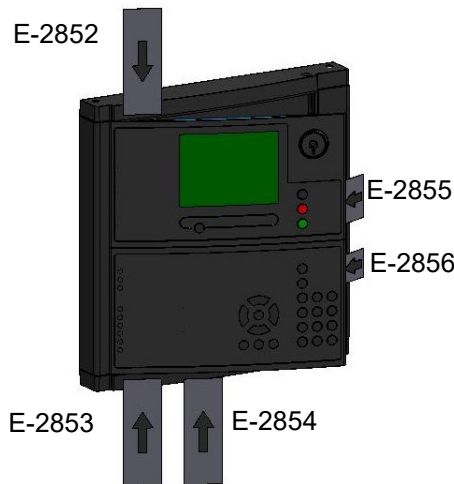
6.8 Inserting Text Foils

- Find the text foils in the relevant language for the panel in question (foil sheets are delivered with the panel).

The part numbers are indicated below.



Example: Foil sheet for BS-420



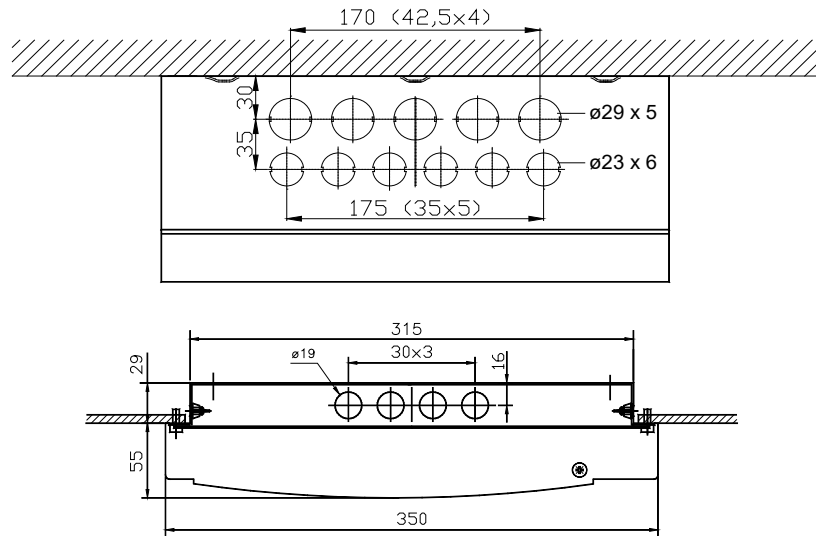
- Make sure that you are holding the textfoil the correct way.
- Bend the small flap towards the panel (as shown on the left most illustration below), then insert the foil into the appropriate slot, and slightly push it in as far as possible.
- The foils that are to be inserted into the slot on the right hand side of the panel front have a small flap which can easily be bent (along the perforation holes).

Fire Alarm Control Panel BS-420 is shown in the example below.



6.9 Cable Inlets / Outlets

When feeding the cables, use whichever is appropriate.



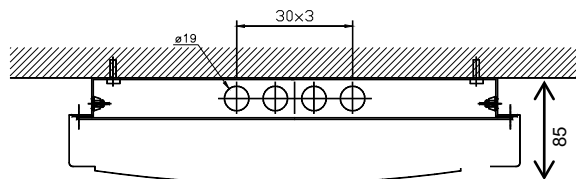
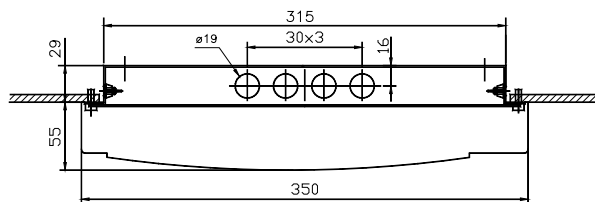
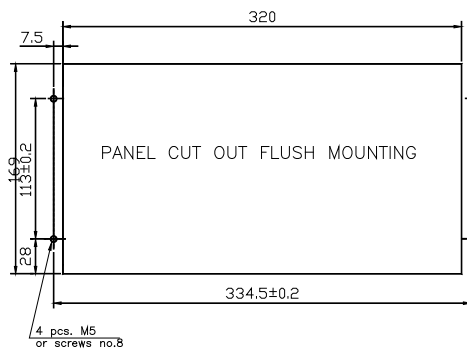
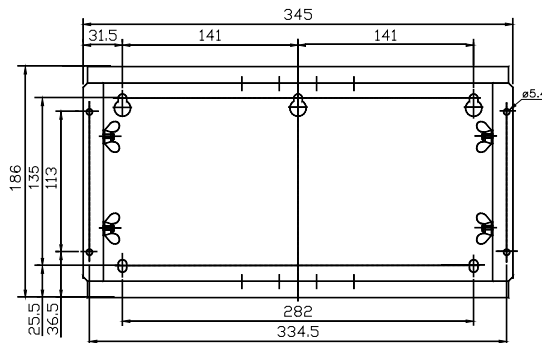
The illustration above shows the positioning and dimensions of the cable inlets for BS-420/BC-420 (the uppermost illustration) and BU-BV-420.

6.10 Cut Out Dimensions for Flush Mounting in a Wall

The Repeater Panel BU-BV-420 and Operator Panel BS-430 can be flush mounted in a wall.

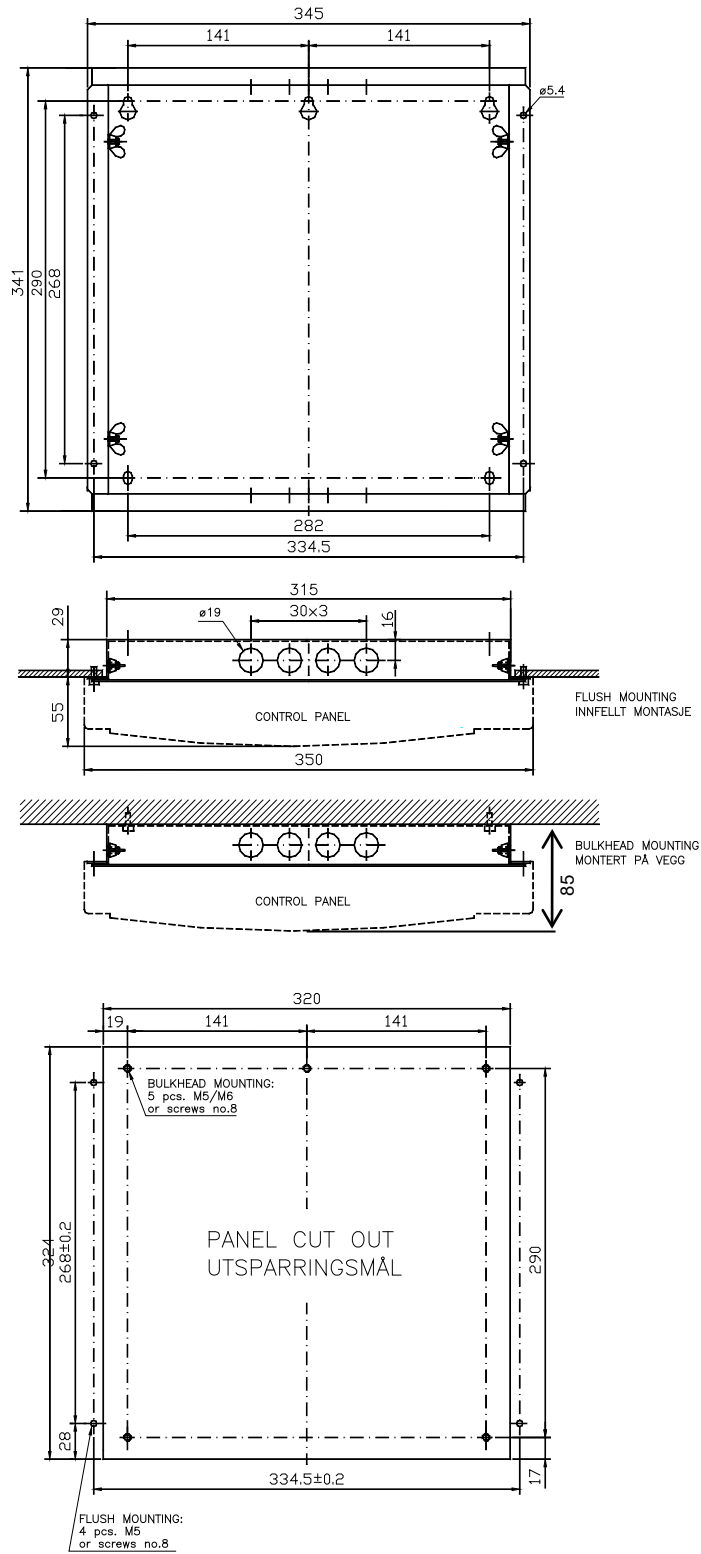
6.10.1 Repeater Panel BU-BV-420

The illustration below shows the cabinet's cut out dimensions. The dimensions given include space for the cover frame.



6.10.2 Operator Panel BS-430

The illustration below shows the cabinet's cut out dimensions. The dimensions given include space for the cover frame.



7. Power Consumption

7.1 Mains Power

7.1.1 STX Power

Refer to datasheet for Power Cabinet STX and the documentation for each variant (2A, 5A and 10A) found on the Autronica Product Web (see links in this handbook, chapter 6.6).

7.1.2 BPS-410

The current consumption at 115V AC is 4,5A.
The current consumption at 230V AC is 1,9A.
The inrush peak current consumption is 35A.

7.2 System Units

System Unit	Current Consumption
Fire Alarm Control Panel BS-420 Controller BC-420	156mA/27V DC (idle) Max. 340mA/27V DC
Repeater Panel BU-BV-420	156mA/22,2V DC (idle) Max. 220mA/27V DC (lamp test)
Operator Panel BS-430	175mA/27V DC (idle) Max. 340mA/27V DC (lamp test)
Power Board BSF-400	85mA

7.3 Loop Units

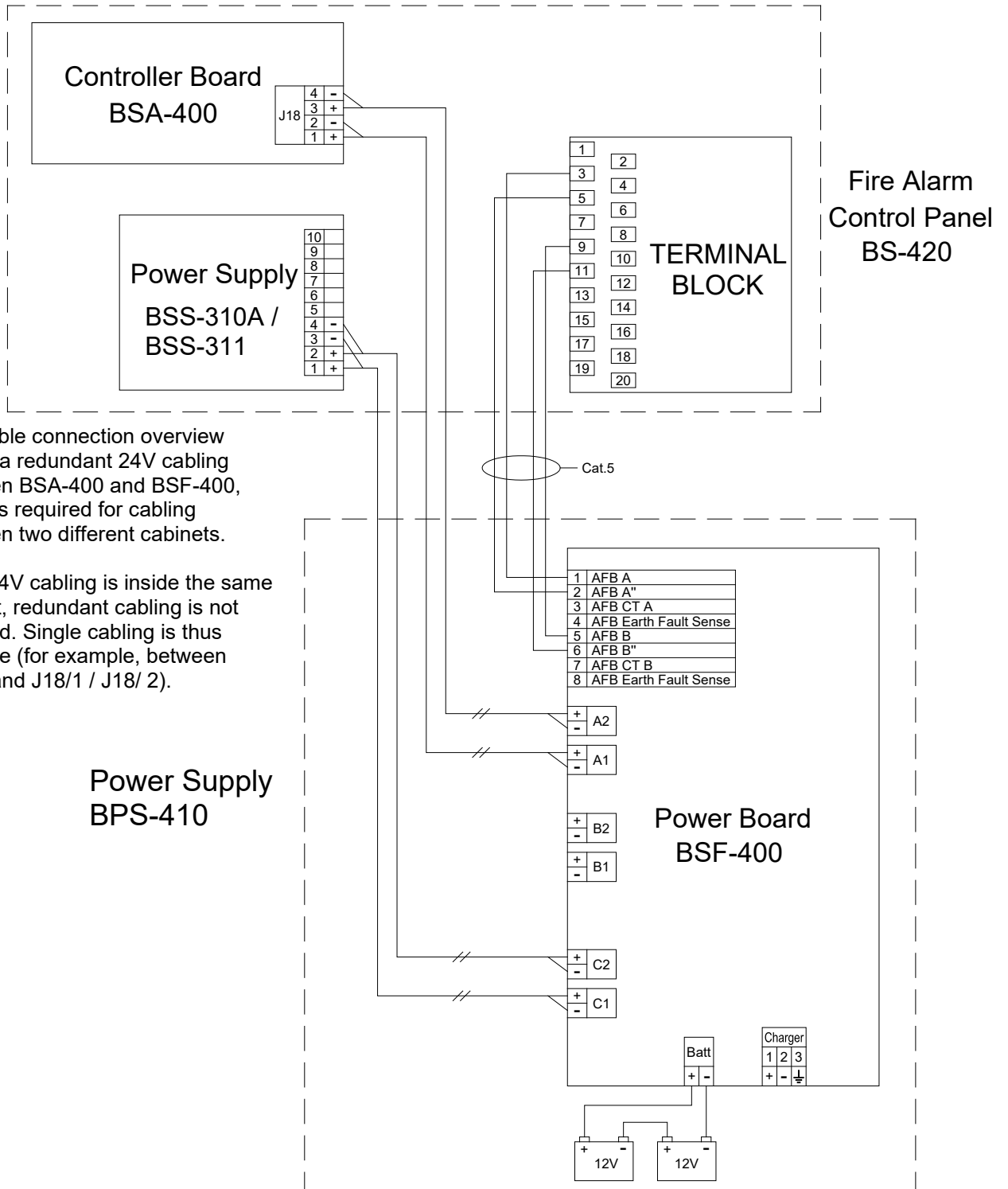
For information on the current consumption for various loop units, refer to technical specifications provided in the relevant datasheets.

7.4 Phoenix Ethernet Switches

A network solution (AutoNet) with more than two panels requires the use of switches, unless AutoNet Ring Topology is used (refer to chapter 10.6.3). Only Phoenix Ethernet switches are approved and supported by Autronica Fire and Security AS. The switch type and the number of switches depend on the actual installation / network design (number of panels and the transmission length between the panels / switches).

For detailed technical information on the power consumption for Phoenix Ethernet Switches, refer to System Description, AutoSafe Interactive Fire Detection System.

8. Cable Connection Overview

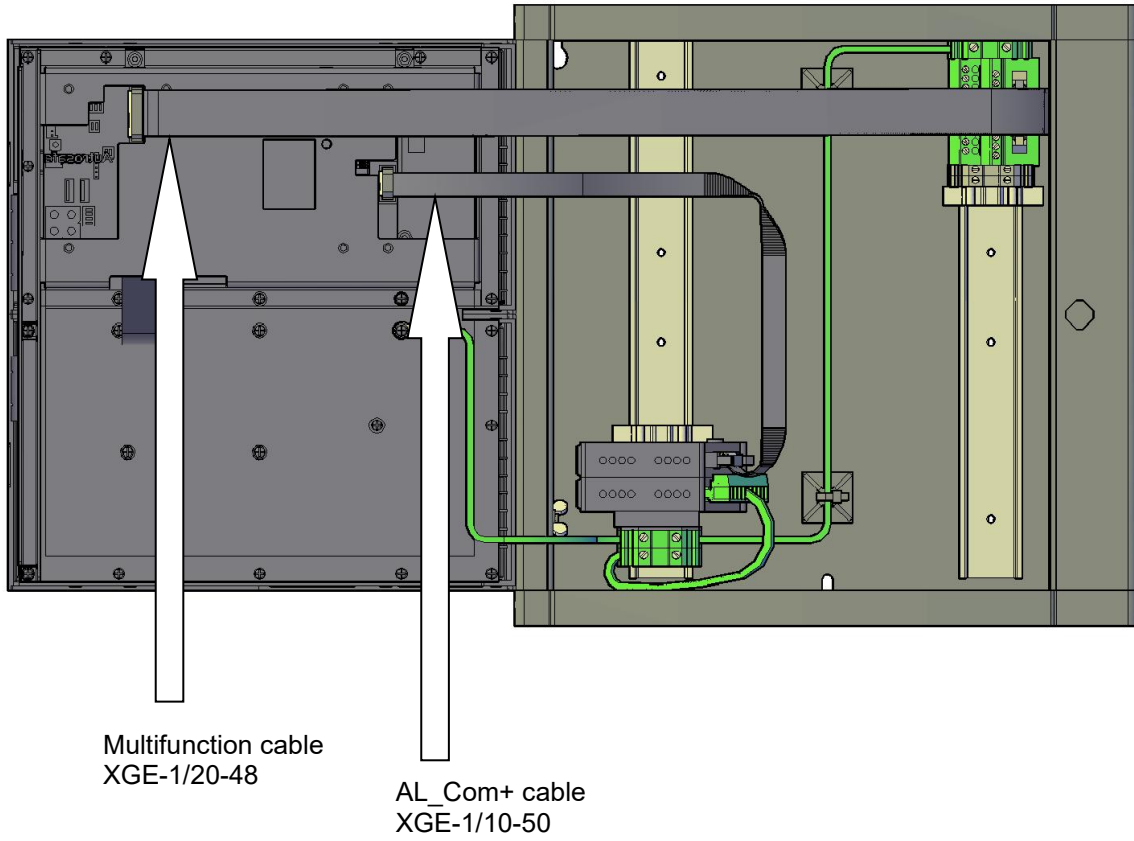


The cable connection overview shows a redundant 24V cabling between BSA-400 and BSF-400, which is required for cabling between two different cabinets.

If the 24V cabling is inside the same cabinet, redundant cabling is not required. Single cabling is thus possible (for example, between A1+/- and J18/1 / J18/ 2).

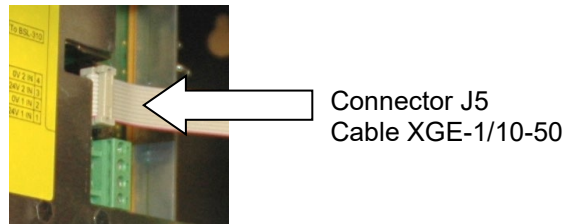
9. Connecting Internal Cables

9.1 Overview – BS-420 / BC-420

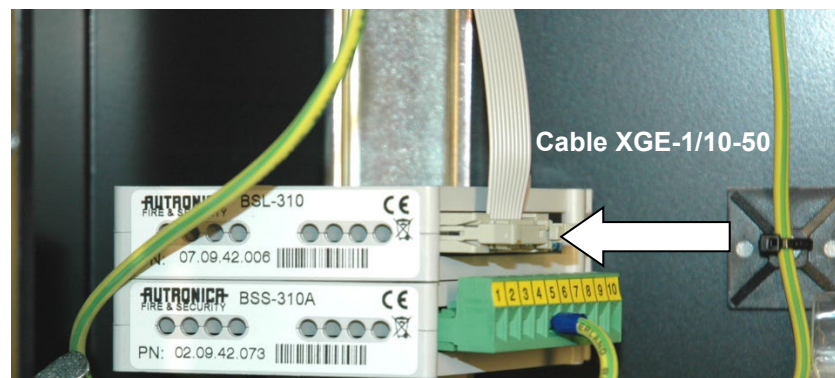


9.2 BS-420 / BC-420

9.2.1 AL_Com+ Connection on Controller Board BSA-400

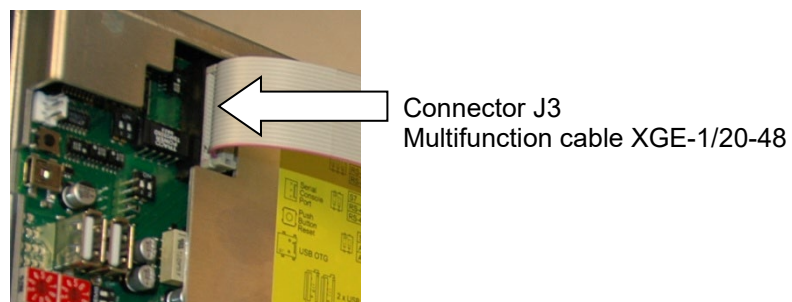


9.2.2 AL_Com+ Connection on Communication Module BSL-310



9.2.3 Multifunction Serial Port Connection on Controller Board BSA-400

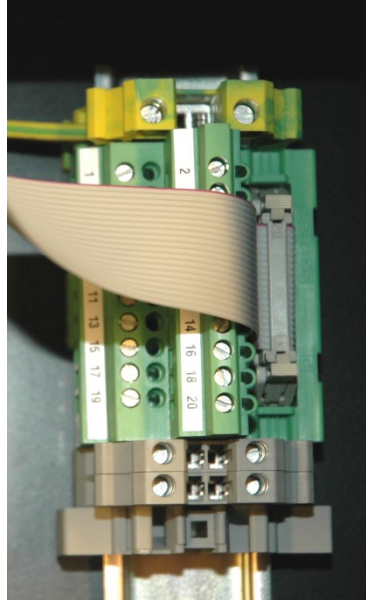
A ribbon cable is connected between the Multifunction Serial Port Connector and the main terminal block (mounted on the DIN rail inside the cabinet).



9.2.4 Multifunction Serial Port Connection on Terminal Block, List L1

The ribbon cable from the Serial Port Connection on the Controller Board is connected to the main terminal block, list L1 (mounted on the DIN rail inside the cabinet).

Multifunction cable
XGE-1/20-48



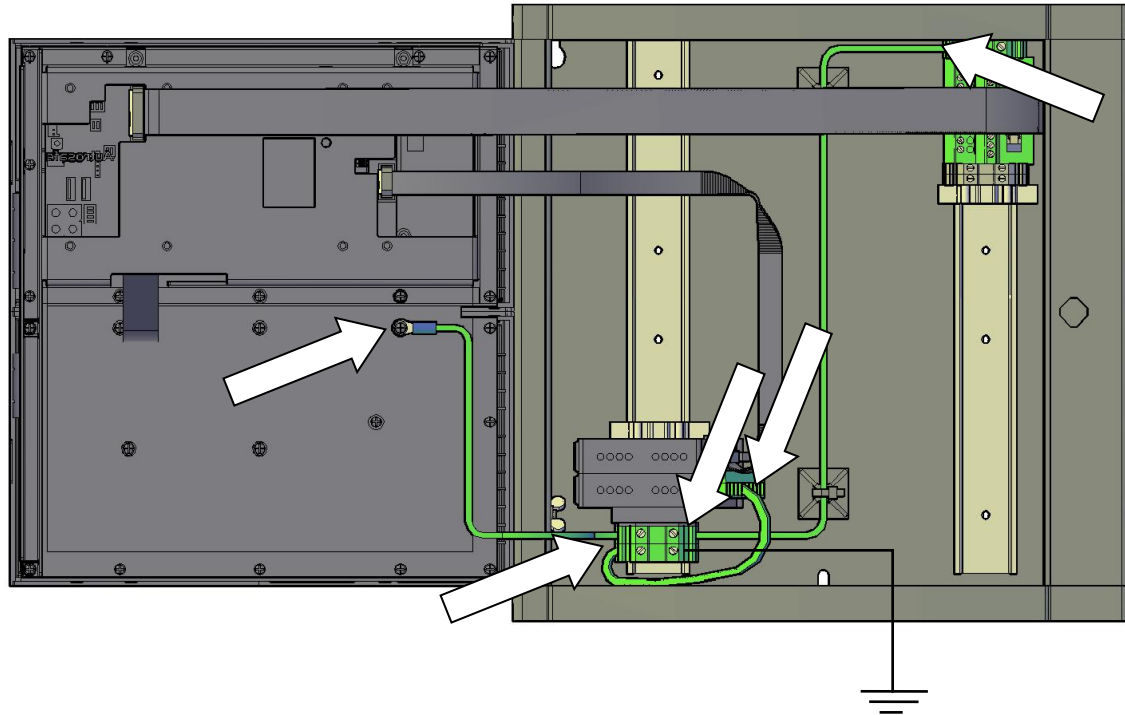
9.2.5 Multifunction Serial Port Connection Overview – BSA-400

Connection to terminal block (L1)	Description	Connector J3 on Controller Board BSA-400
L1.1	GND	J3.1
L1.2	GND	J3.2
L1.3	AutroFieldBus B	J3.3
L1.4	Multifunction Serial Port RS-422/RS485 A+	J3.4
L1.5	AutroFieldBus B'	J3.5
L1.6	Multifunction Serial Port RS-422/RS485 B-	J3.6
L1.7	AutroFieldBus B Reference	J3.7
L1.8	Multifunction Serial Port RS-422 X+	J3.8
L1.9	AutroFieldBus A	J3.9
L1.10	Multifunction Serial Port RS-422 Z-	J3.10
L1.11	AutroFieldBus A'	J3.11
L1.12	Multifunction Serial Port RS-232 TX	J3.12
L1.13	AutroFieldBus A Reference	J3.13
L1.14	Multifunction Serial Port RS-232 RX	J3.14
L1.15	GND	J3.15
L1.16	Multifunction Serial Port Reference	J3.16
L1.17	Fault Relay Normal Open	J3.17
L1.18	GND	J3.18
L1.19	Fault Relay Normal Closed	J3.19
L1.20	Fault Relay Common	J3.20

9.3 BC-440

For information on the cabling to AutoSafe Controller Rack BC-440, refer to separate datasheet.

9.4 Internal Earth Cabling



10. Connecting External Cables

10.1 Introduction

This chapter deals with the connection of external cables. For more detailed information regarding the Controller Board BSA-400 and Power Board BSF-400, see Appendix.

10.2 Before Connecting Cables



POWER OFF!



- Before connecting cables, make sure that the mains power is *not* connected.
- Remove fuse F8 from the power supply in all Power Cabinets. Do not replace the fuse until commissioning of the system. Refer to the Commissioning Handbook.

10.3 Cyber Security

To ensure cyber security, we strongly recommend that the Ethernet ports are not part of a public internet. Also, to prevent unauthorized personnel from accessing Ethernet connections we recommend that the fire alarm control panels (BS-420) and controllers (BC-420) are placed in a locked room.

10.4 Mains Wiring - Two-pole Disconnect Device

In the fixed mains wiring to the panel a two-pole disconnect device must be provided to disconnect the equipment from the power supply when servicing is required. Normally, this switch is a two-pole automatic fuse located in the fuse terminal box at the premises. This fuse location must be marked "Fire Alarm System". No other than the Fire Detection System shall be sourced from this switch.

The isolation of the mains wiring must be of either:

- inflammability class V2 or
- the wiring has to be fixed to the cabinet separated from all other cables

10.4.1 115/230VAC Voltage BPS-410



Note:

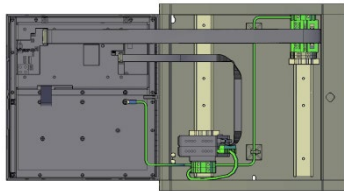
The BPS-410 Power Unit 24VDC/10A is delivered as two separate part numbers:

- 116-BPS-410 for 230VAC
- 116-BPS-410/115 for 115VAC
- Make sure to use the correct unit according to the appropriate voltage (115/230VAC).

10.5 AutoFieldBus Connections

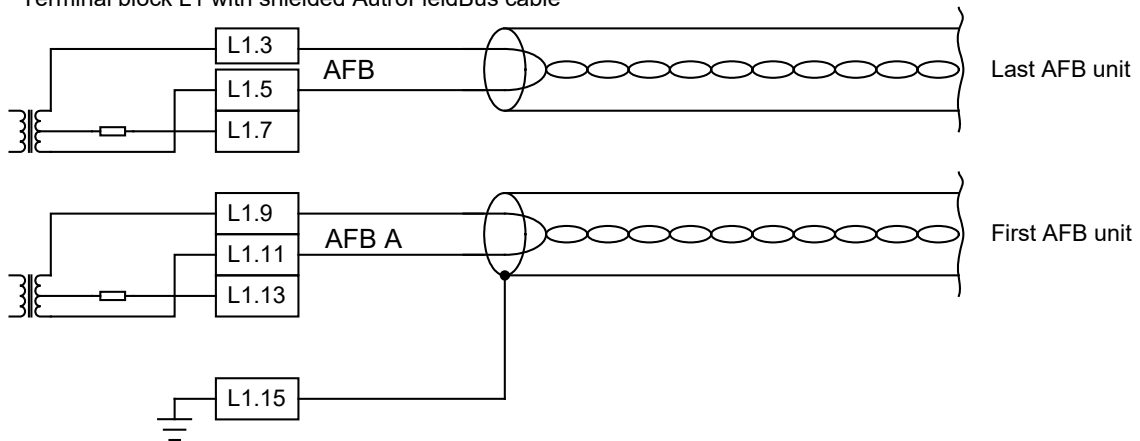
10.5.1 Connections to BS-420/BC-420 - Terminal Block (List 1)

Shielded cable required.

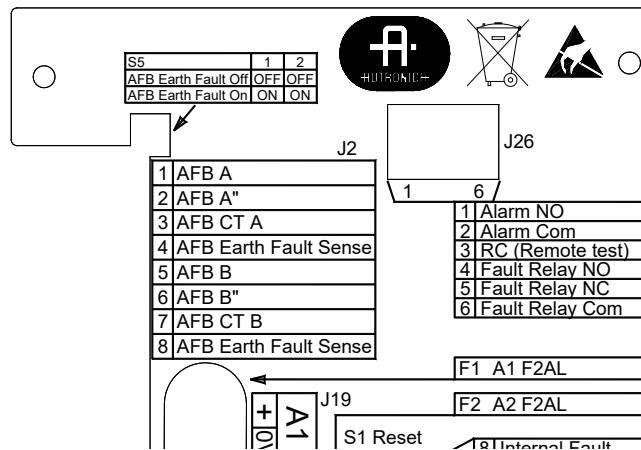


Terminal	Function
L1.9	AutoFieldBus A
L1.11	AutoFieldBus A'
L1.13	AutoFieldBus CT A
L1.3	AutoFieldBus B
L1.5	AutoFieldBus B'
L1.7	AutoFieldBus CT B
L1.15	Earth

Terminal block L1 with shielded AutoFieldBus cable

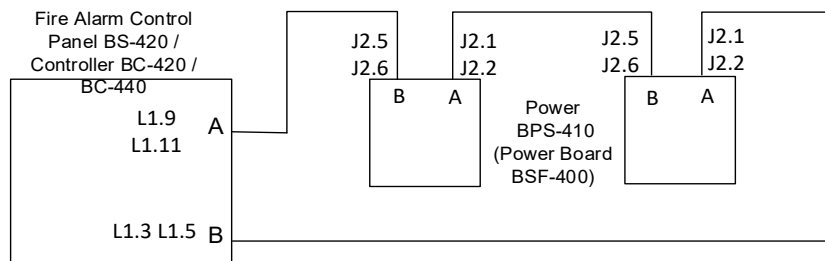


10.5.2 Connections to Connector J2, Power Board BSF-400



10.5.3 Example of the Interconnection of Several Power Cabinets

The example below shows the interconnection of two Power Cabinets (with BPS-410) on the AutoFieldBus. Note that the AutoFieldBus always goes from AFB A on the main terminal block inside BS-420/BC-420 to AFB B on the J2 connector on the Power Board BSF-400, then from AFB A to the next unit. The cable finally returns to AFB B on the main terminal block.



10.6 Connection of Network Cables (AutroNet)

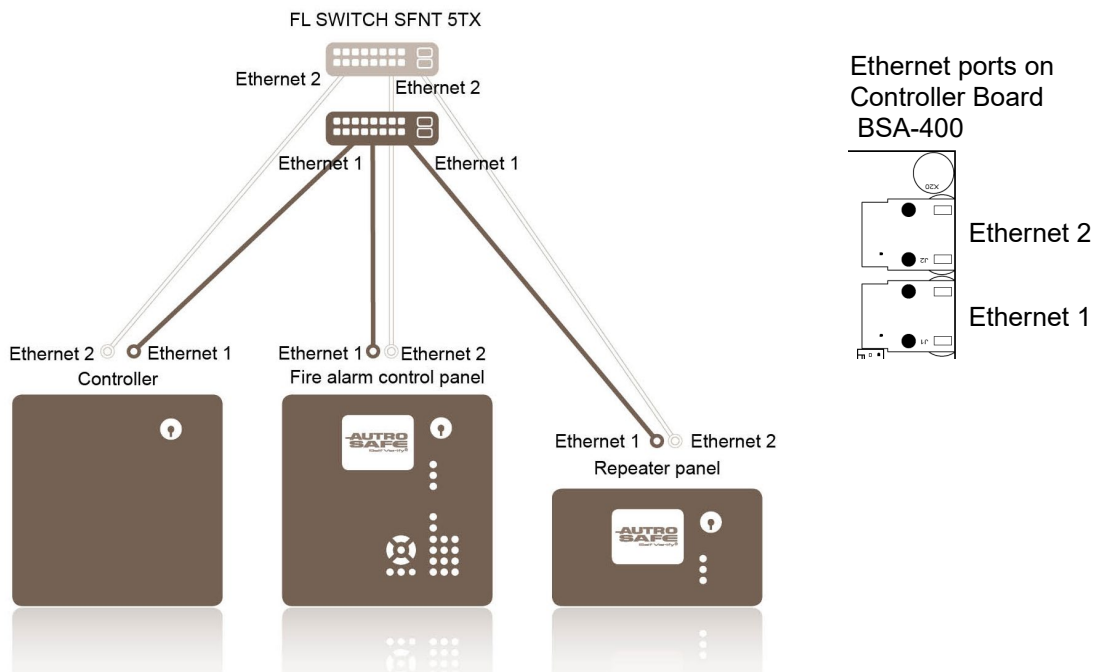
Each panel provides two ports; Ethernet 1 and Ethernet 2. AutroNet consists of one of the following network topologies:

- AutroNet Redundant Star Topology
- AutroNet Single Star Topology
- AutroNet Ring Topology

10.6.1 AutroNet Redundant Star Topology

The illustration below shows an *example* of the fully redundant standard AutroNet, where the following guidelines apply:

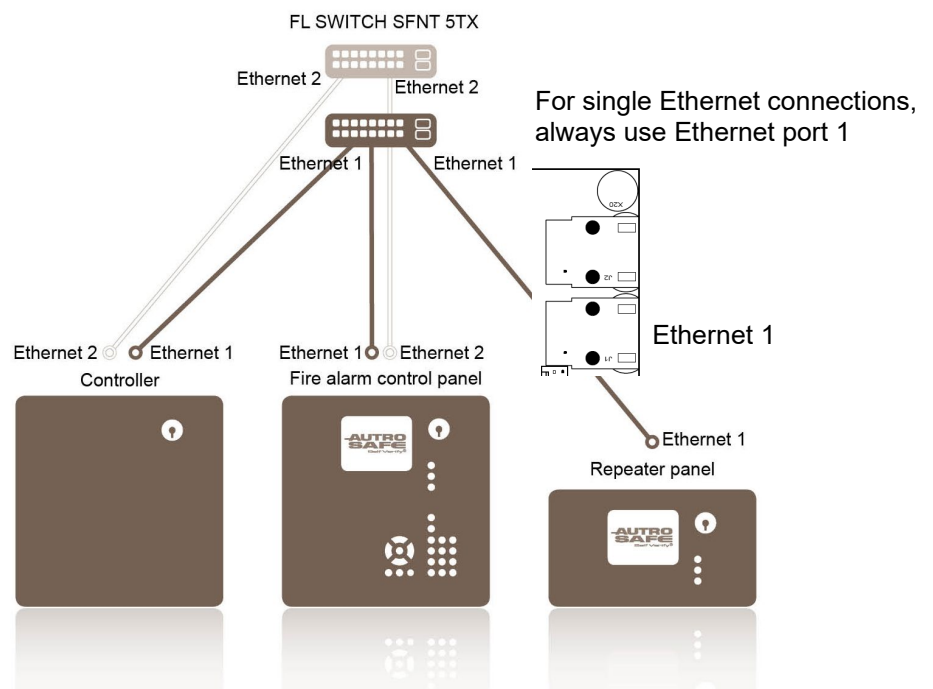
- Connect the Ethernet cables for Ethernet 1 to and from the connections labeled Ethernet 1 (panels and Ethernet switches) throughout the entire system.
- Connect the Ethernet cables for Ethernet 2 to and from the connections labeled Ethernet 2 (panels and Ethernet switches) throughout the entire system.



10.6.2 AutoNet Single Star Topology

As an option, AutoSafe 4 allows also single Ethernet connections to one or several panels in a system if redundancy is not required. Ethernet 1 must always be used for single Ethernet connections. The *example* below is similar to the one in the previous chapter; all panels have redundant connections to the system, except for the Repeater Panel, which has a single Ethernet connection.

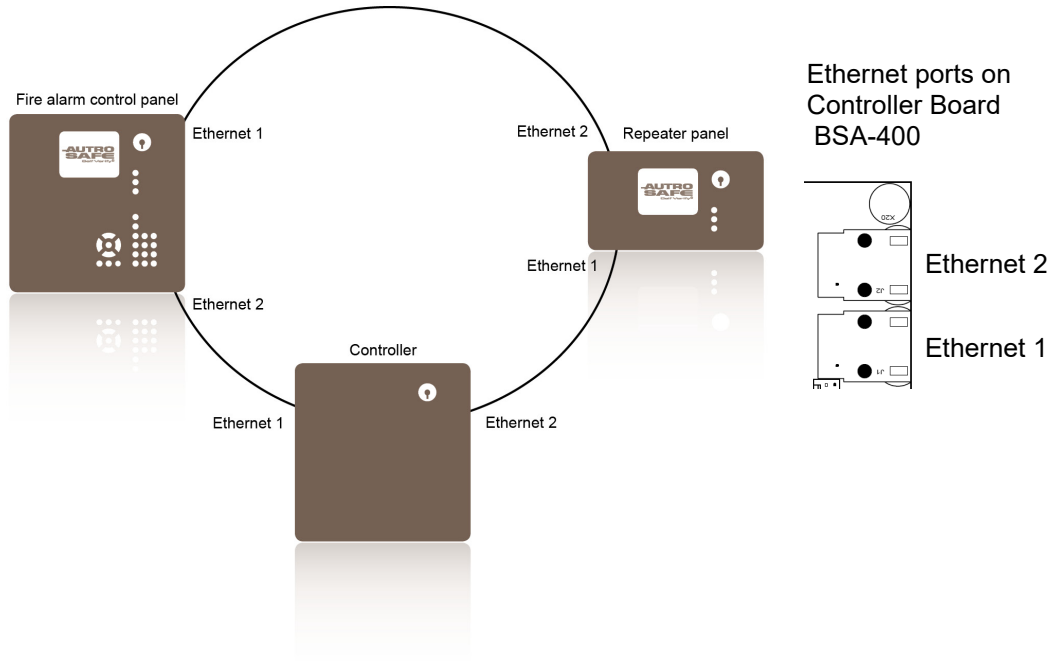
- Between the Repeater Panel and the Ethernet switch, make only a single Ethernet connection to and from Ethernet 1.
- Connect the remaining Ethernet cables as described in the previous chapter



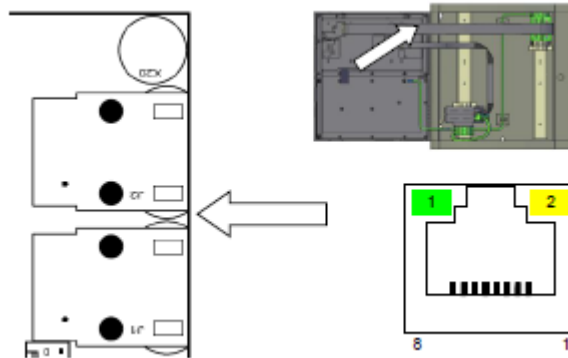
10.6.3 AutoNet Ring Topology

In an AutoNet Ring Topology all panels are connected to each other forming a closed loop. The first panel is connected to the second, the second is connected to the third, and so on (preferably from Ethernet 1 to Ethernet 2, from Ethernet 1 to Ethernet 2, from Ethernet 1 to Ethernet 2 and so on).

A ring topology is a redundant network, as all panels will continue to operate even with a single break or short-circuit on the ring.



10.6.4 Connection to Controller Board BSA-400

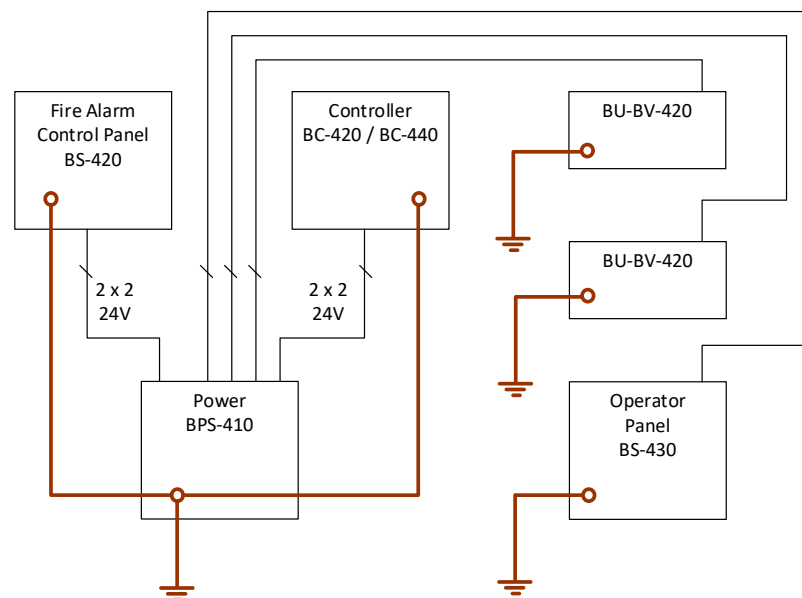


The BSA-400 board on all panels provides two separate 10/100Mbit Ethernet ports. The connector is an RJ-45 modular jack, suitable for shielded cable CAT5 which allows cable lengths up to 100m.

LED 1	Activity LED
LED 2	If ON, 100MBit/s, if OFF, 10MBit/s

10.6.5 Common Earth Connections

All panels must be connected to a common earth for EMC compliance.



Shielded or armoured cable must be used for the 24V DC power supply.

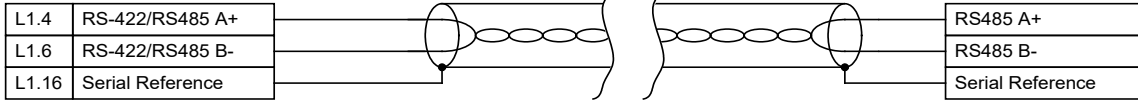
Note:

For information on common earth connections for Power Cabinet STX Range, refer to documentation listed in chapter 6.6.

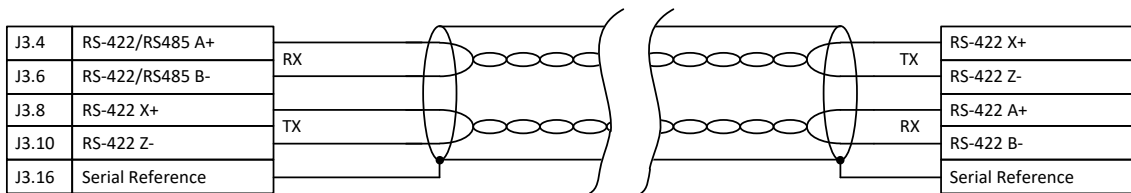
10.7 RS-485 Connections to Terminal Block, List L1

Twisted pair, shielded cable is required.
 Maximum 100 Ohm resistive loss.
 Maximum total length 1200m.
 Maximum cable capacitance 150 nF.

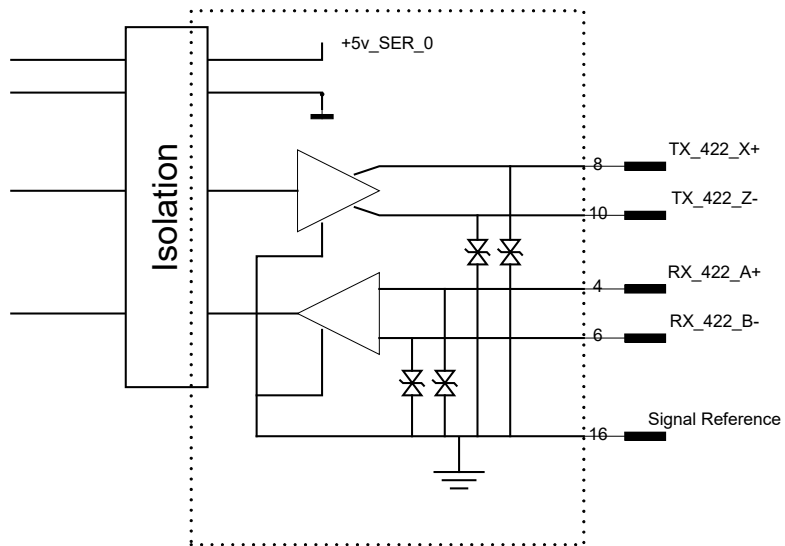
Terminal block list L1
 RS-485



10.8 RS-422 Connections to Terminal Block, List L1



Schematic of port equivalent:



The protection shown in the schematic of port equivalent above is made for 1kV High Energy Surge. In addition, the connection is protected against wrong connections between Serial Reference and other signals (X->Signal ref, Z->Signal ref, A->Signal ref, B->Signal ref) for voltage up to 29V DC.

10.9 RS-232 Connections to Terminal Block, List L1

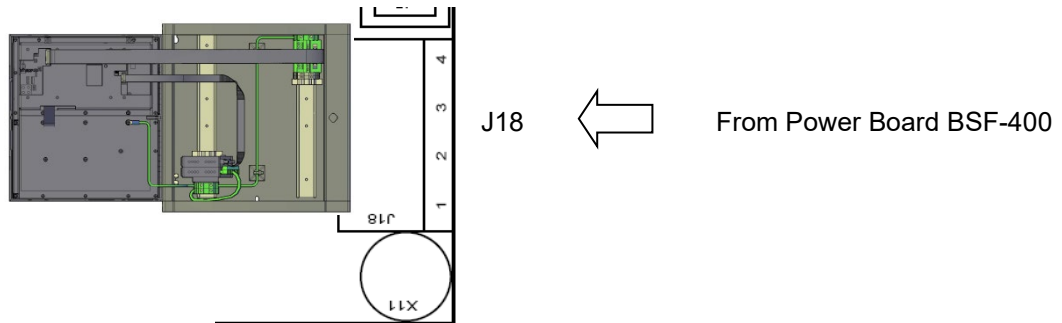
Terminal block list L1
 RS-232



10.10 24V Power Connections

10.10.1 Connections to Controller Board BSA-400A

24V power is supplied to connector J18 on the Controller Board BSA-400 on all panels.



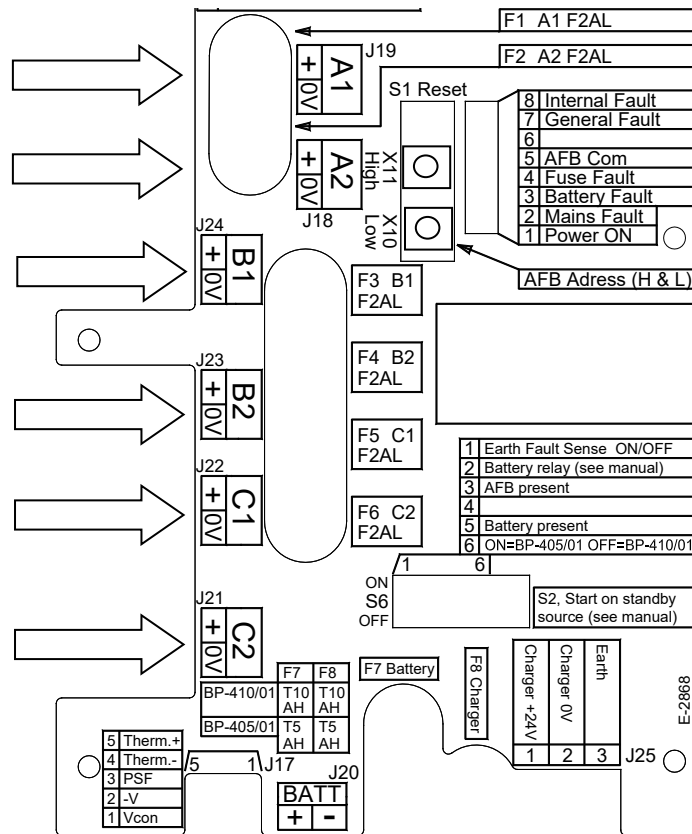
Redundant cabling:

Connector J18 on Controller Board BSA-400	Description		Connections to Power Board BSF-400
J18.1	+24V In 1	Interconnection	A1 +
J18.2	0V In 1		A1 0V
J18.3	+24V In 2		A2 +
J18.4	0V In 2		A2 0V

Single cabling:

Connector J18 on Controller Board BSA-400	Description		Connections to Power Board BSF-400
J18.1	+24V In 1	Interconnection	A1 +
J18.2	0V In 1		A1 0V
J18.3	+24V In 2		A1 +
J18.4	0V In 2		A1 0V

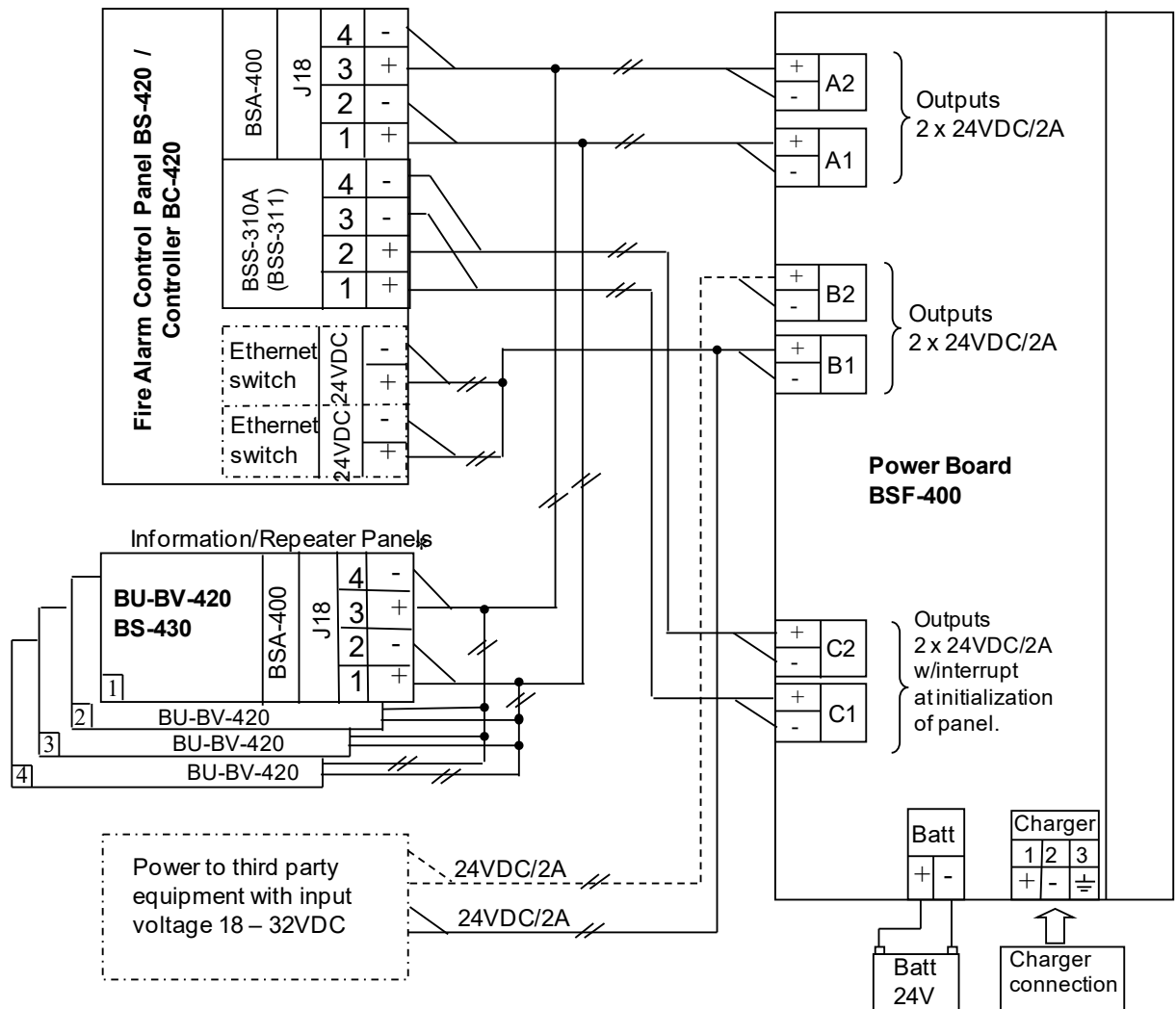
10.10.2 Connections to Power Board BSF-400



Output	Connections to BSF-400	Description	Intended to be used for:
A1	J19	+24V DC / 2A 0V	Monitored panel equipment.
A2	J18	+24V DC / 2A 0V	Monitored panel equipment.
B1	J24	+24V DC / 2A 0V	External equipment.
B2	J23	+24V DC / 2A 0V	External equipment.
C1	J22	+24V DC / 2A 0V	External equipment. 3 seconds break at initialization of panel.
C2	J21	+24V DC / 2A 0V	External equipment. 3 seconds break at initialization of panel.

10.10.3 Power Connection Overview

BSS-311 is required when redundant connection is used.



* External panels type BU-BV-420 and BS-430 can be connected both to output A and B. Divide total power to both A and B.

----- Connected if needed.


10.11 Mains Power Connections

10.11.1 Power Cabinet STX

The installation instructions from the supplier has to be followed, and the manual can be found following the links in the table below.

Product	Link to manual
Power Supply 24V/2A	http://product.autronicafire.com/products/fire-and-gas-detection-systems/fg-system-units/power-supply-
Power Supply 24V/5A	http://product.autronicafire.com/products/fire-and-gas-detection-systems/fg-system-units/power-supply-units/stx-5a/
Power Supply 24V/10A	http://product.autronicafire.com/products/fire-and-gas-detection-systems/fg-system-units/power-supply-units/stx-10a/

10.11.2 Power Supply BPS-410

CAUTION	 Indicates the presence of a hazard that will or could cause personal injury or property damage if ignored
---------	--

Power must not be applied before commissioning, refer to Commissioning Handbook.



POWER OFF!

When applying power during commissioning, always connect the cables to the batteries in the power cabinet first, then power up the system shortly afterwards by connecting the mains cable to a mains socket (230V/115V AC) or by switching the power ON from an external main fuse box.

Note that the isolation must be kept on the mains cable as close up to the terminal points (L, N and) as possible.

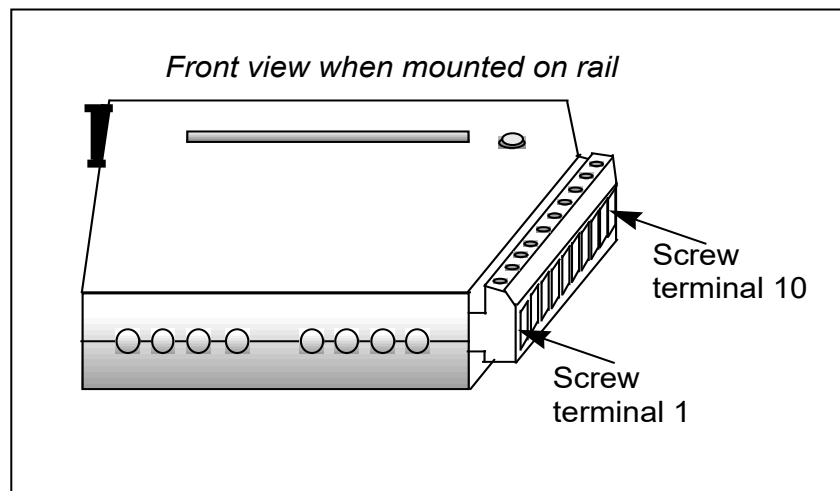
11. Installing I/O Modules

11.1 Introduction

This chapter provides information on the mounting and removal of I/O modules.

Note that the internal *Power Module (BSS-310A)* and the *Communication Module (BSL-310)* are already mounted in a fixed position when the product leaves the factory.

11.2 Front View of I/O Module

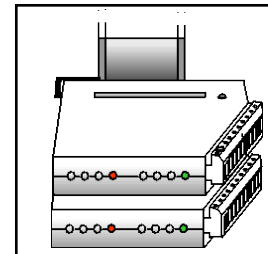


11.3 Mounting / Removing I/O Modules

11.3.1 General

Note! Make sure the mains power is OFF!

Note: The Power Module (BSS-310A) must always be mounted first on the rail - at the bottom - before any other modules. The Communication Module (BSL-310) is then mounted on top of the Power Module. If the optional Dual Power Monitoring Module BSS-311 is to be used, this module always has to be mounted at the bottom – before BSS-310A and BSL-310.



Fixed Position

BSL-310

BSS-310A

(BSS-311, optional)

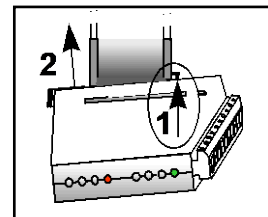
All other modules can be mounted in arbitrary order on top of these modules.

When the system is to be configured at a later point, note that the AutoSafe Configuration Tool graphically shows the first module on the top of the figure and the following in descending order. This may be opposite to the physical mounting, and must be taken into consideration when configuring the system. Also note that the configuration tool does not show the BSS-311 and BSL-310.

11.3.2 Mounting

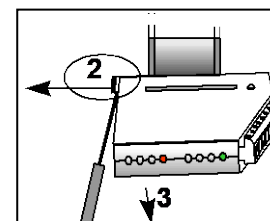
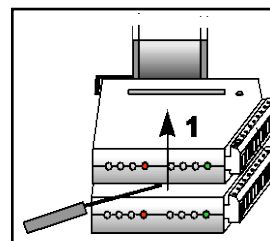
The connection block on the I/O module must be pointing to the right when the module is to be inserted in a BS-420/BC-420 cabinet.

- Snap the right side of the fastener onto the mounting rail (1), then press the module slightly inwards (2) until the left side fastens.
- Then, carefully press the module downwards as far as possible. Make sure that the module is properly connected to the module below.



11.3.3 Removing

- Ensure the panel is not powered.
- Unplug the connection block.
- Use a screwdriver to carefully lift the topmost module upwards (1) until the connector between the modules is free.
- Use the screwdriver to slightly bend the left side of the fastener *towards left* (2) until it loosens, then remove (3) the module.
- If necessary, continue removing the next one in the same way.



11.3.4 Before Connecting Cables



POWER OFF!

- Before connecting cables, make sure that the mains power is *not* connected.

11.4 Data Sheets - I/O Modules

The AutoSafe User Documentation provides data sheets for I/O modules, including a short description of the I/O module, its application, plus technical specifications and cabling.

12. Dual Safety Installation

12.1 Dual Safety System Overview

An AutoSafe system using the Dual Safety concept consists of a Primary System and a Secondary System. The purpose of the concept is to ensure that the Secondary System takes over the control of the detection loops if the Primary System or parts of it is lost for any reason.

To achieve this, the redundant loop control interface AutoKeeper BN-180 is required.

An AutoMaster can communicate with both the Primary and Secondary System via AutoCom.

The connections that are to be used between the Primary/Secondary System and the detection loops depend on distances and the number of Loop Driver Modules/detection loops used.

12.2 Rules of Thumb

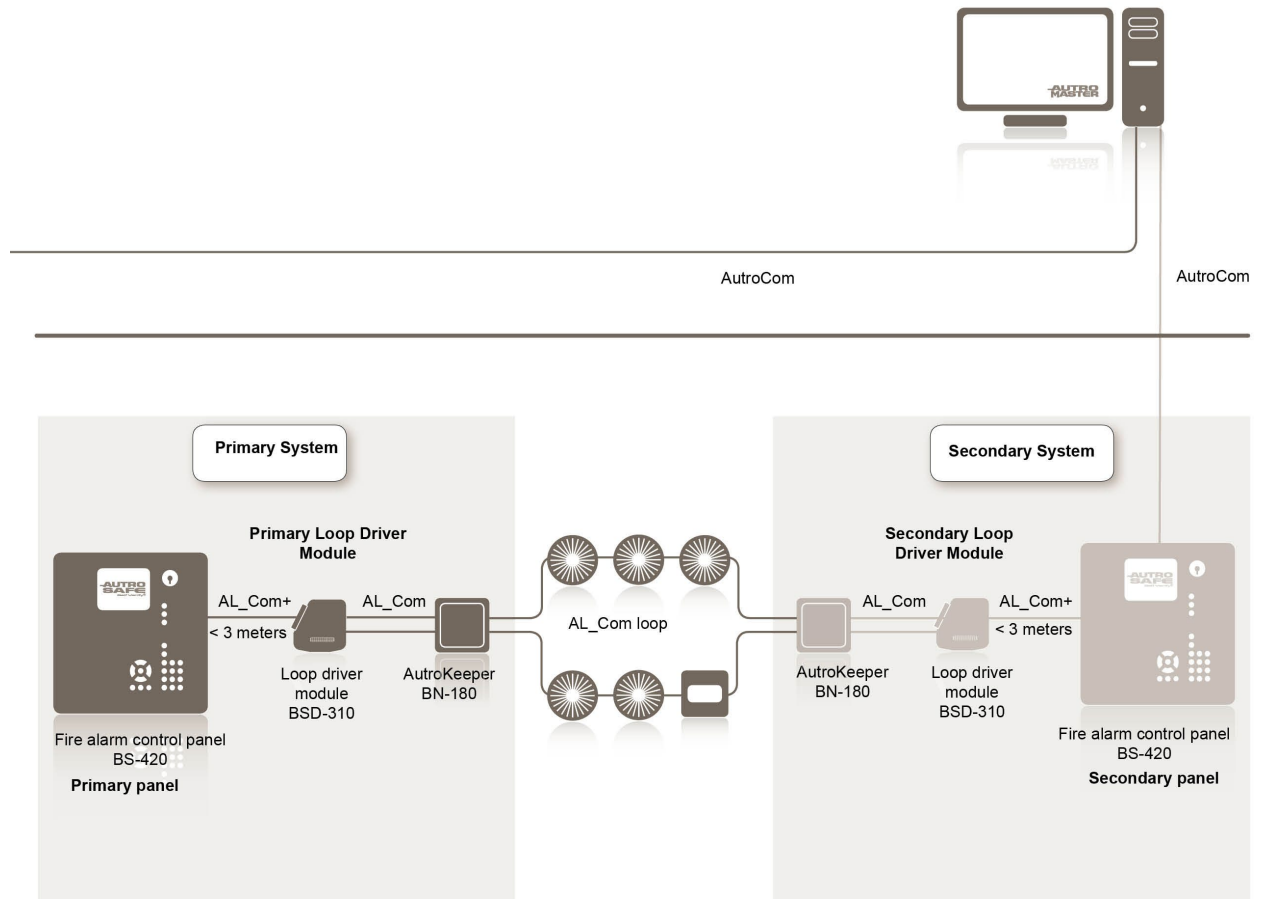
Note that these rules of thumb goes for *both* systems in a Dual Safety configuration:

- Up to 6 Loop Driver Modules can be connected to one I/O stack
- Up to 12 Loop Driver Modules can be connected to one panel
- Up to 6 Loop Driver Modules can be connected to one panel directly (one I/O stack) if the cable length between the panel's main board AL_Com+ port and the I/O stack is less than 3 meters.
- Up to 12 Loop Driver Modules can be connected to one panel through AutoFieldBus (up to 12 I/O stacks). This solution has to be used if the cable length between the panel's main board and the I/O stack exceeds 3 meters, but can also be used for cable lengths less than 3 meters.

12.2.1 Example 1: Connections Using AL_Com+ only

The distance from the Primary Panel to the Loop Driver Module is less than 3 meters. An AL_Com+ flat ribbon cable is used between the panel AL_Com port and the I/O stack (including the Loop Driver Module).

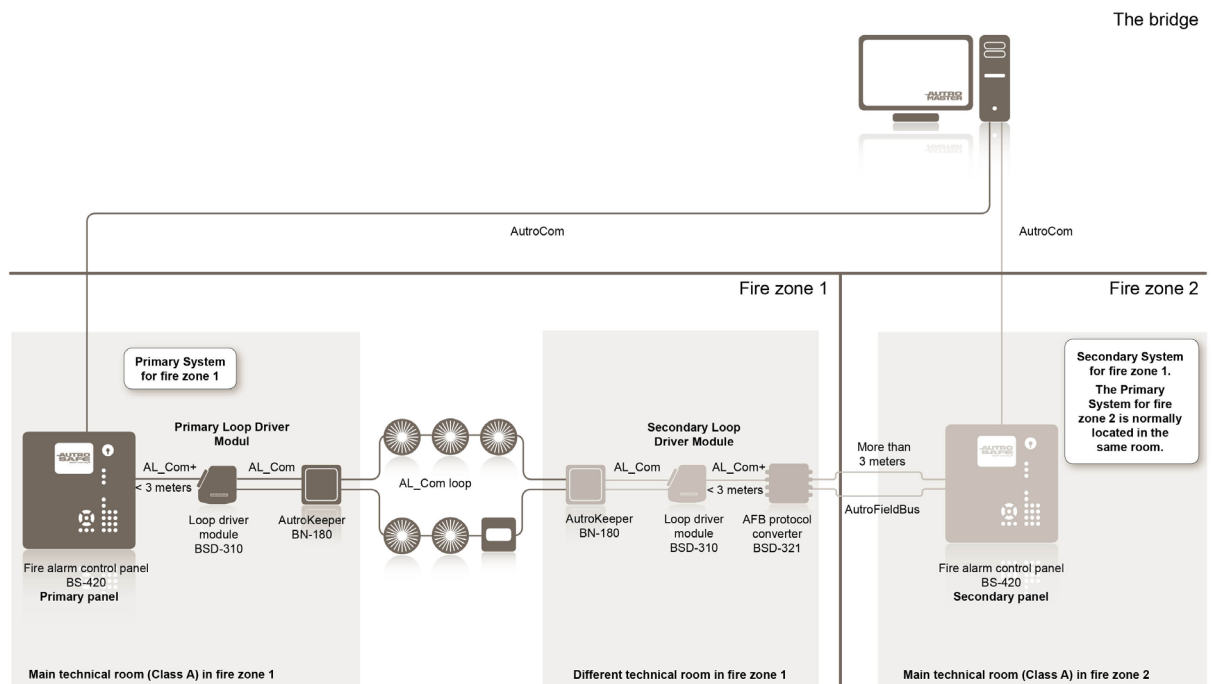
The distance from the Secondary Panel to the Secondary Loop Driver Module is less than 3 meters. An AL_Com+ flat ribbon cable is used between the panel AL_Com port and the I/O stack (including the Secondary Loop Driver Module).



12.2.2 Example 2: Connections using both AL_Com+ and AutoFieldBus

The distance from the Primary Panel to the Primary Loop Driver Module is less than 3 meters. An AL_Com+ flat ribbon cable is used between the panel AL_Com port and the I/O stack (including the Loop Driver Module).

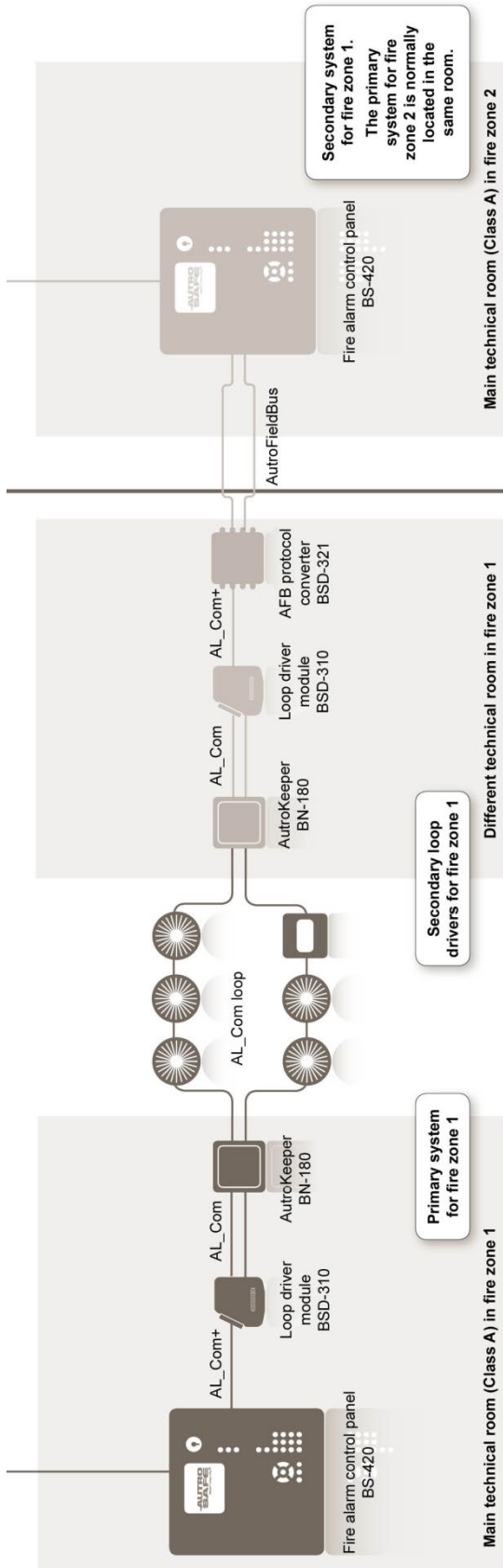
The distance from the Secondary Panel to the Secondary Loop Driver Module is more than 3 meters. An AL_Com+ flat ribbon cable (maximum 3 meters) is used between the AutoFieldBus (AFB) Protocol Converter BSD-321 and the I/O stack (including the Secondary Loop Driver Module). The AFB Protocol Converter is connected to the panel's AFB. The AFB cable length can be up to 1000 meters. Booster equipment can be added to exceed the AFB cable length even further.



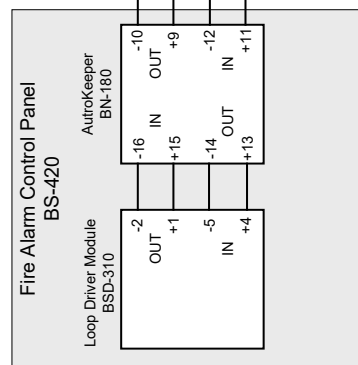
12.3 Connections Overview

There are two AutoKeepers BN-180 for each detection loop in a Dual Safety System (see next page). One must be assigned to the Primary System and the other to the Secondary System. The BSD-321 (if used) must be set to the AL_Com+ protocol (default).

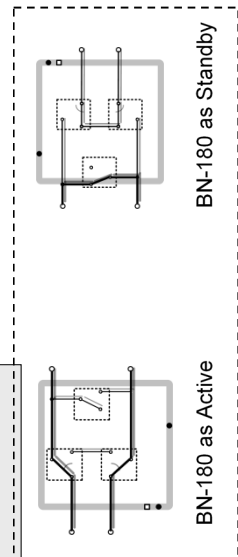
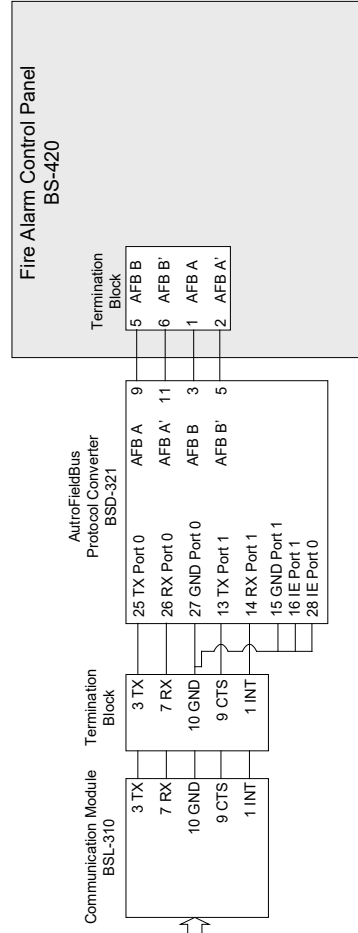
The AutoKeeper is physically placed between the loop controller (BSD-310) and the detection loop (one belonging to the Primary System and one belonging to the Secondary System) and thus controlling/providing the loop controller access to the detection loop.



Primary System



Secondary System



Patented component to meet the new SOLAS requirement

12.3.1 Connections – AutoKeeper BN-180

Pin number	Description	
1	TTL COM	Debug port (internal use only)
2	TTL IN	Debug port (internal use only)
3	TTL OUT	Debug port (internal use only)
4	GND	
5	24V IN	Power In (Green LED)
6	0V IN	Power In
7	FAILSAFE COM	FailSafe Rel. (future)
8	FAILSAFE NO	FailSafe Rel. (future)
9	OUTLOOP +	To “first” Loop Unit
10	OUTLOOP -	--“--
11	INLOOP +	To “last” Loop Unit
12	INLOOP -	--“--
13	OUT +	To Loop Driver’s IN +
14	OUT -	To Loop Driver’s IN -
15	IN +	To Loop Driver’s OUT+
16	IN -	To Loop Driver’s OUT -
DIN rail conn. 1	24V IN	Power In
DIN rail conn. 2	0V IN	Power In
DIN rail conn. 3	Not used	
DIN rail conn. 4	Not used	
DIN rail conn. 5	GND	

12.3.2 Switch Settings – AutoKeeper BN-180

Dipswitch 1 determines whether the BN-180 in question is Primary or Secondary.

Dip-switch	Description (ON/OFF)
1	“Ascription” (use one of each): Off – Primary / On – Secondary
2	Off – Normal operation (Seen as AL_Com unit) On – Force Majeur (If Ascription Primary: Active, Secondary: Standby – automatic actions disabled)
3	When switched to On or Off the unit will be reset within 5 seconds

13. Cable Specifications

For the complete information on cable specifications, refer to Cable Specifications, part number 116-P-ASIFGCABLESPEC/CGB (file name: asafeifgcable_cgb).

14. Service and Maintenance

14.1 Introduction

The AutoSafe Interactive Fire Alarm System provides a Log Menu, which records all system events, i.e. fire alarms, prealarms, faults, enablements/disablements, user operations and tests.

It is the system owner's or authorized personnel's duty to register all events in a Control Journal.

During service and maintenance of AutoSafe systems, Autronica tools must be applied.

Note that the system automatically checks all loop units with SelfVerify functionality every single day (SelfVerify test). This test can also be performed manually by using the AS2000 Loop Diagnostic Tool.

The loop resistance on the detection loop is continuously monitored to register a possible break or short-circuit on the detection loop. In the event of a short-circuit in the detector cable, the short-circuit location will be isolated as the short-circuit isolator will be activated in the detectors on either side.

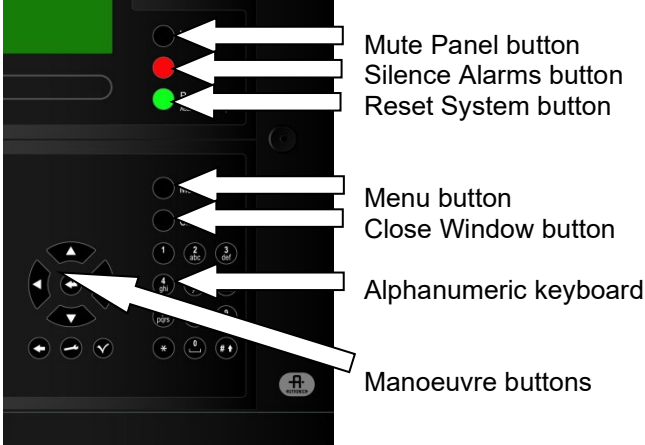
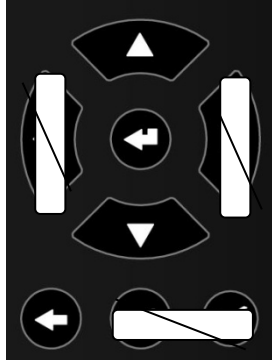
For more details regarding the Service Menu, refer to the Menu Structure and the Operator's Handbook.

14.2 Monthly Maintenance

Step	Description	✓
1	Look through the log journal to find any possible irregularities.	
2	Make sure that possible changes in the building structure or storage environment have not affected the detectors' capability to detect a potential fire.	
3	Make sure that the detectors are not covered with paint or contaminated with dust or dirt. Check the log for contaminated detectors (Service/Log menu).	
4	Perform a visual inspection of the panels/cabinet.	
5	Perform a simple test of display and panel functions	
6	Test the sounders.	


14.3 Annual Service and Maintenance

The whole system (control panel, detectors, control functions) should be inspected annually. An annual service inspection comprises the following:

Step	Description	✓
1	To test the panel indicator lights and internal buzzer, press and hold the Reset button for at least 5 seconds. All indicators are lit and the buzzer is turned on. The test will automatically stop. The lamp test can be performed in access level 1 (no use of key).	
2	<p>Test all operating keys by pressing each key (refer also to Operator's Handbook): All buttons will give a short "Beep" when pressed, except Mute button, Menu button and Reset System button (plus the ones that are not supported, see below).</p>  <p>Note that the left/right arrow buttons and the two buttons in the lowermost right hand corner (indicated with a white line) are not yet supported:</p> 	
3	Perform a visual and functional inspection of manual call-points and automatic detectors. Check the log for contaminated detectors (Service/Log menu).	
4	Disable any alarm transference to the Fire Alarm Routing Equipment -FARE output.	
5	Activate the alarm system. Test all sounders by activating an alarm from a corresponding manual call-point.	
6	Test all control functions.	
7	Activate alarms from at least one detector/manual call-point in each zone and a check that all respective outputs are activated.	
8	Test the action of any auxiliary operating functions (disabling, cancelling and resetting buttons).	
9	Check the alarm transference outputs by connecting from outgoing outputs (potential free relay and 24V output) activated by alarm in a zone.	

Step	Description	✓
10	<p>Check the fault warning function from detector zones by removing a detector in each zone.</p> <p>Activate a fault (remove battery fuse) and observe:</p> <ul style="list-style-type: none"> - the <i>Fault</i> indicator starts to blink - a fault warning is displayed - the internal buzzer is turned ON - the Fault Warning Routing Equipment (FWRE) output is activated (if any) 	
11	<p>Verify all <i>conditions</i>, i.e.:</p> <ul style="list-style-type: none"> - Fire Alarm condition - Fire Warning condition - Fault Warning condition - Disablement condition - Test condition 	
12	<p>On completion of checks, ensure that only the green "Power" indicator is ON when the panel is in its idle state (normal operation).</p>	
13	<p>Enable alarm transference to the Fire Alarm Routing Equipment -FARE output.</p>	

14.4 Fuse Replacements

CAUTION		<p>Indicates the presence of a hazard that will or could cause personal injury or property damage if ignored.</p>
---------	---	---

- Take necessary precautions to avoid short-circuiting 24V circuits while performing service and maintenance. Make sure to remove the output's fuse.
- If a fuse is broken, replace the broken fuse with one that is exactly the same.
- Refer to circuit board layout for information on the location of fuses.

14.5 Battery Replacement and Maintenance

A capacity test of the battery should be carried out annually. Local/national requirements apply.

We strongly recommend that batteries are replaced every 4 years, the first time after 4 years (refer to manufacture date indicated on the battery).

If a fault arises on the panel that cannot be rectified, contact your nearest Autronica Fire and Security office for qualified assistance.

14.6 Testing

To ensure that the system works properly during normal operation after commissioning, the whole system (control panel, detectors, control functions, activation groups, activation of inputs/outputs) should be verified.

14.7 Safety Measures during Commissioning and Maintenance

NOTE

To avoid unmotivated activation of release outputs on connected safety-critical systems, it is important that service personnel physically disconnects or disables (in the Service Menu) the safety-critical system from the fire detection system during commissioning and maintenance.

14.8 SIL2 Approved Systems

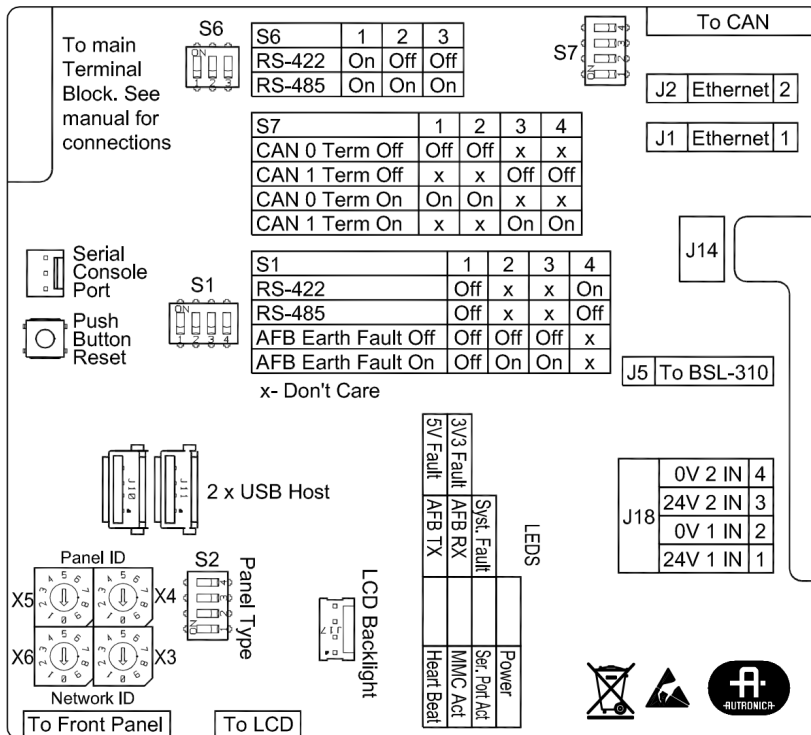
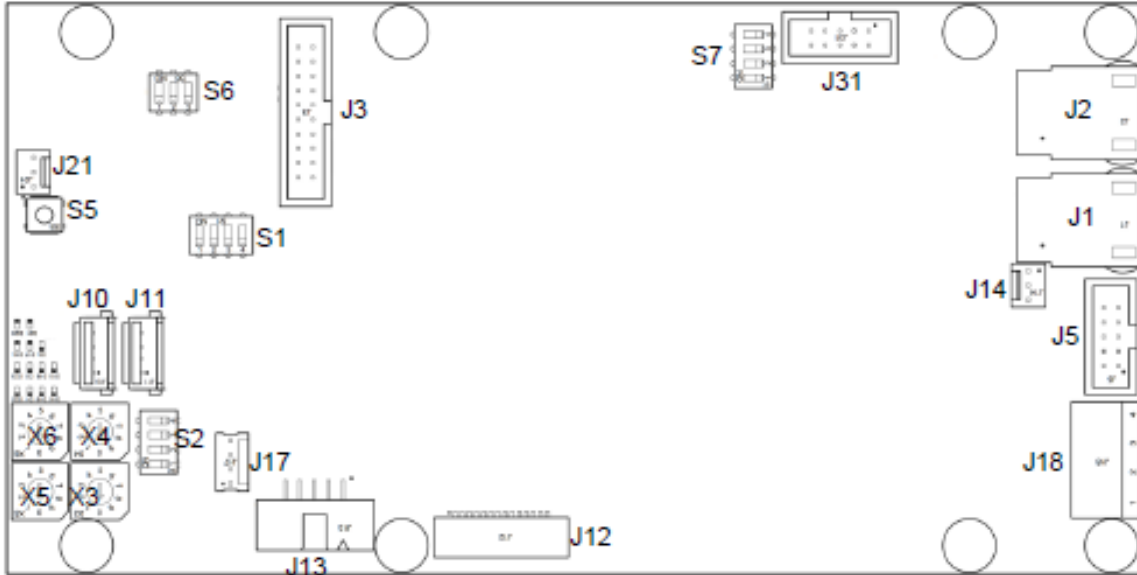
For SIL2 approved systems, service and maintenance shall be carried out according to the proof test intervals stated on the AutoSafe 4 Oil&Gas SIL2 (G2) certificate with registration number 44 207 11 555929-001.

14.9 Contact Information Local Service Representative

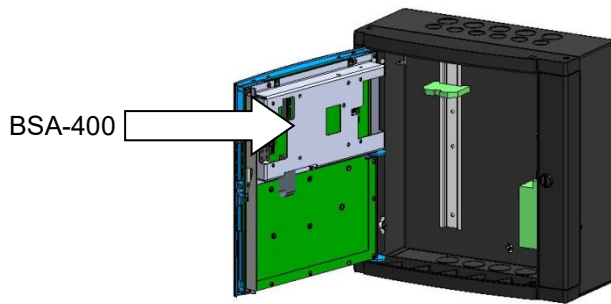
Country	
Name of local service representative	
Address	
Telephone number	

15. Appendix A - Controller Board BSA 400A

15.1 Circuit Board Layout



15.2 Location inside Fire Alarm Control Panel BS-420



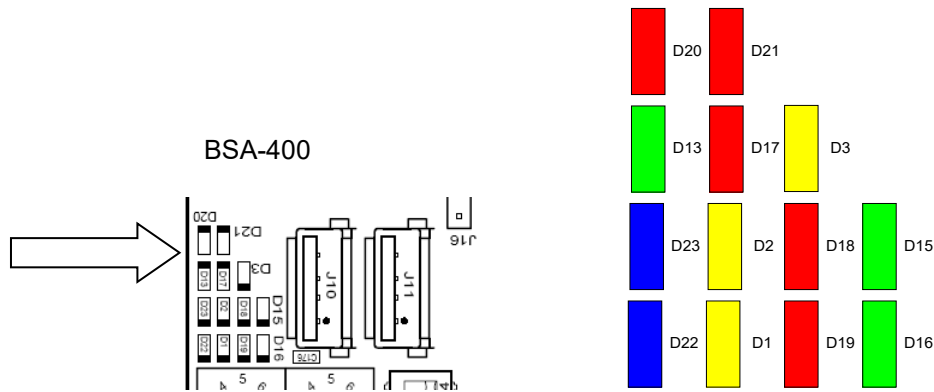
15.3 Description

The Controller Board BSA-400 is the main CPU which controls all system functionality.

The system offers the following communication ports:

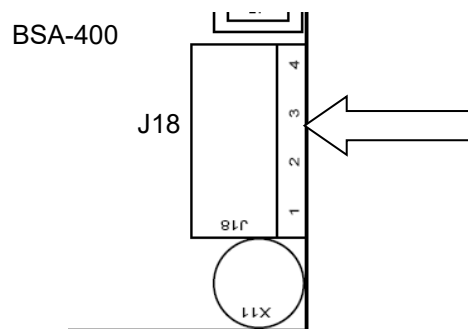
- 2 Ethernet ports for AutoNet and/or AutoCom, plus downloading of configuration data and system software
- 1 AL_Com+ interface (loop communication)
- 1 RS-232, RS-422 or RS-485 serial port for communication with third party equipment (AutoCom /ESPA4.4.4/MODBUS/VDR)
- 1 AutoFieldBus (AFB) interface
- 2 USB host ports for the connection of a printer and for the connection of a memory stick for downloading configuration data and system software
- Interface for the connection of display and front board
- Panel Operational State output

15.4 Internal LED Indicators



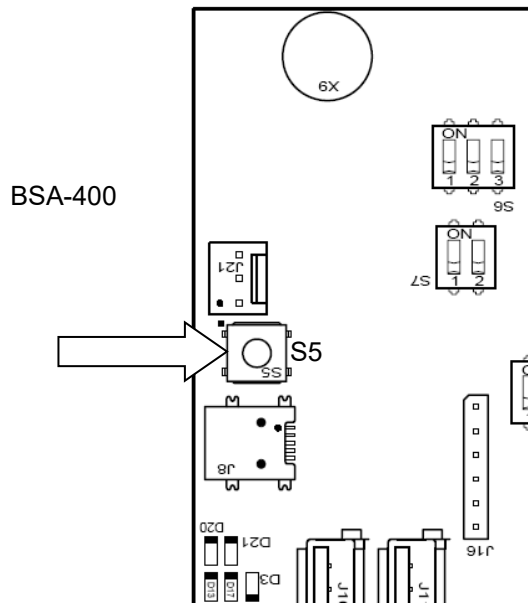
LED	Colour	Function
D1	Yellow	SD-Card activity indicator
D2	Yellow	USB Boot Time Rescue upgrade in progress
D3	Yellow	System fault LED, ON when system is locked in system fault
D13	Green	AutroFieldBus TX
D15	Green	NA
D16	Green	Power indicator
D17	Red	AutroFieldBus RX
D18	Red	NA
D19	Red	Serial Port activity indicator
D20	Red	System reset 5V
D21	Red	System reset 3,3V
D22	Blue	System heart beat
D23	Blue	NA

15.5 Power Input Connector J18 (screw terminal)



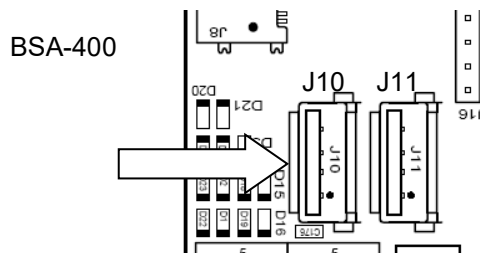
Connector J18 on Controller Board BSA-400	Description		Connection to Power Board BSF-400
J18.1	+24V DC In 1	Interconnection	A1 +
J18.2	0V In 1		A1 0V
J18.3	+24V DC In 2		A2 +
J18.4	0V In 2		A2 0V

15.6 Two-stage Push Button Reset (S5)



- To shut down the system in a controlled manner, push less than 1 second.
- To perform a hard reset without needing to do a controlled shutdown (the system is already in system fault condition), push and hold down the reset button S5 (approximately 10 seconds) until the red LED indicators D20 and D21 are lit for a short moment and you hear a click from the relay.

15.7 USB Ports (J10, J11)

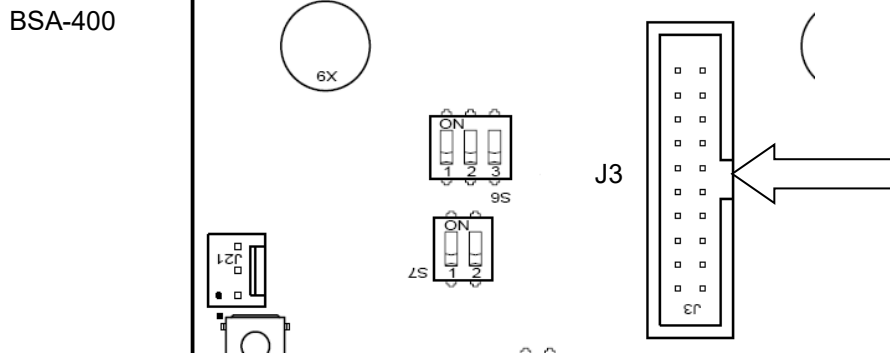


There are 2 standard USB full speed (480Mbit) host ports; type A connector. The ports are to be used for connection of an optional printer or a memory stick.

Each USB host port is limited to a maximum of 100mA load.

15.8 Multifunction Serial Port Connector J3 - AutoFieldBus and Fault Relay

A ribbon cable is connected between the Multifunction Serial Port Connector J3 and the main terminal block L1 (mounted on the DIN rail inside the cabinet).



Connector J3 on Controller Board BSA-400	Description	Connections to terminal block (L1)
J3.1	GND	L1.1
J3.2	GND	L1.2
J3.3	AutoFieldBus B	L1.3
J3.4	Multifunction Serial Port RS-422/RS485 A+	L1.4
J3.5	AutoFieldBus B'	L1.5
J3.6	Multifunction Serial Port RS-422/RS485 B-	L1.6
J3.7	AutoFieldBus B Reference	L1.7
J3.8	Multifunction Serial Port RS-422 X+	L1.8
J3.9	AutoFieldBus A	L1.9
J3.10	Multifunction Serial Port RS-422 Z-	L1.10
J3.11	AutoFieldBus A'	L1.11
J3.12	Multifunction Serial Port RS-232 TX	L1.12
J3.13	AutoFieldBus A Reference	L1.13
J3.14	Multifunction Serial Port RS-232 RX	L1.14
J3.15	GND	L1.15
J3.16	Multifunction Serial Port Reference	L1.16
J3.17	Fault Relay Normal Open	L1.17
J3.18	GND	L1.18
J3.19	Fault Relay Normal Closed	L1.19
J3.20	Fault Relay Common	L1.20

The built-in AutoFieldBus Master driver serves as a communication protocol between the AutoSafe panel, the BSD-340 PowerLoop drivers and BSD-321 protocol converters, plus Power Board BSF-400. It provides a redundant field bus system with a ring loop topology. The AutoSafe panels have one AutoFieldBus connected, and each AutoFieldBus can host up to 31 bus units.

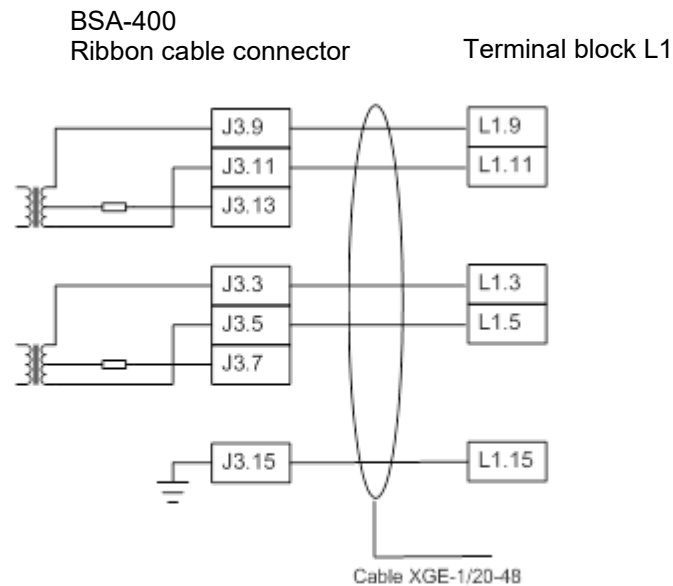
The AutoFieldBus has short-circuit detection/isolation technology which ensures that only one AutoFieldBus bus unit will be lost in case The ring loop topology ensures that no detectors/field units will be lost due to a single break or short circuit of the AutoFieldBus cable.

The AutoFieldBus cable is normally 2-wire twisted pair category 5 copper cables, however, fibre optic cable is possible by use of separate signal converters. The AutoFieldBus uses the same guidelines as AUTROLON (AutoSafe version 3.8 and earlier), in terms of cable lengths, fibre modem and boosters.

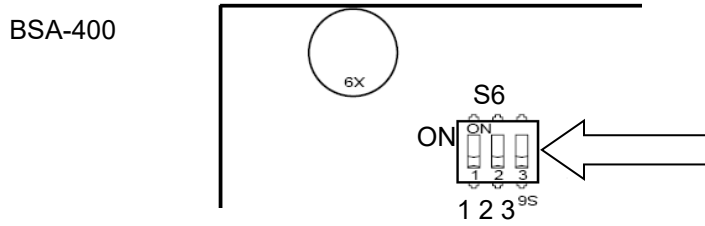
15.9 AutoFieldBus Connections

15.9.1 14.9.1 Ribbon Cable Connector BSA-400 to Terminal Block L1

Terminal on BSA-400	Function	Terminal Block List L1
J3.9	AutoFieldBus A	L1.9
J3.11	AutoFieldBus A'	L1.11
J3.13	AutoFieldBus CT A	L1.13
J3.3	AutoFieldBus B	L1.3
J3.5	AutoFieldBus B'	L1.5
J3.7	AutoFieldBus CT B	L1,7

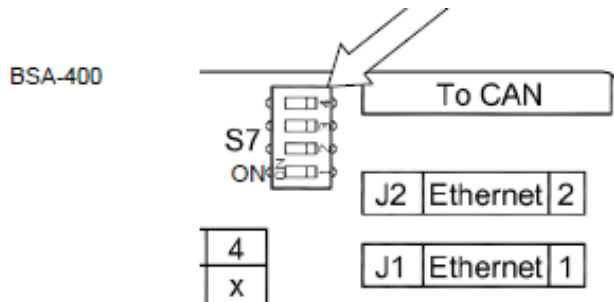


15.10 Multifunction Serial Port Dipswitch Settings – Switch S6



S6	1	2	3
RS-232	Off	x	x
RS-422	On	Off	Off
RS-485	On	On	On

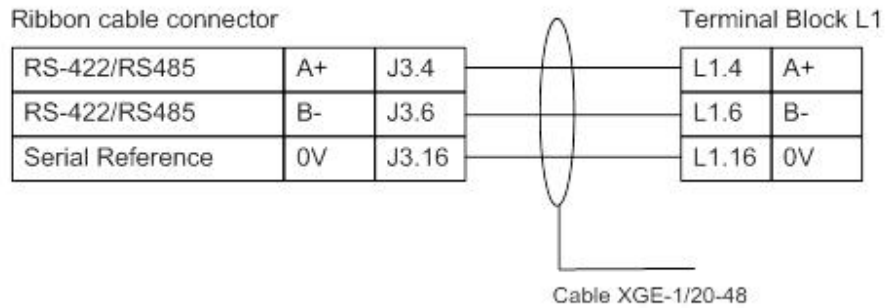
15.11 CAN Bus Termination Dipswitch Settings - Switch S7



Switch S7	1	2	3	4
CAN 0 Term Off	Off	Off	X	X
CAN 1 Term Off	X	X	Off	Off
CAN 0 Term On	On	On	On	On
CAN 1 Term On	X	X	On	On

15.12 RS-485 Connections

15.12.1 Ribbon Cable Connector BSA-400 to Terminal Block L1

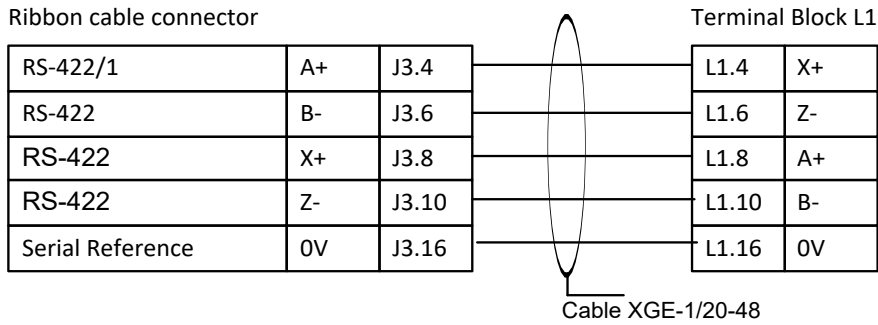


15.12.2 Switch Setting – Switch S6 and S1

Switch	RS-485
S6.1	ON
S6.2	ON
S6.3	ON
S1.4	ON

15.13 RS-422 Connections

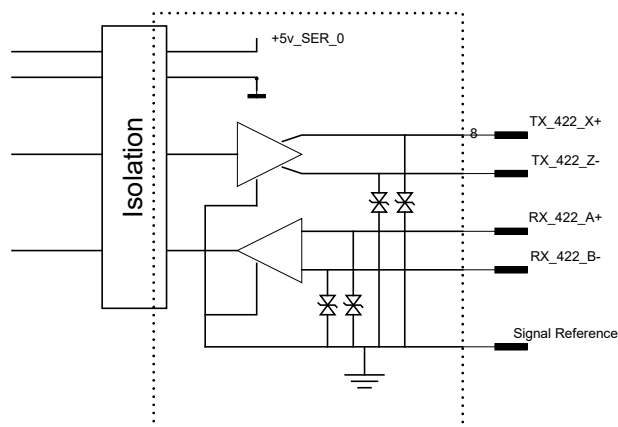
15.13.1 Ribbon Cable Connector BSA-400 to Terminal Block L1



15.13.2 Switch Setting – Switch S6 and S1

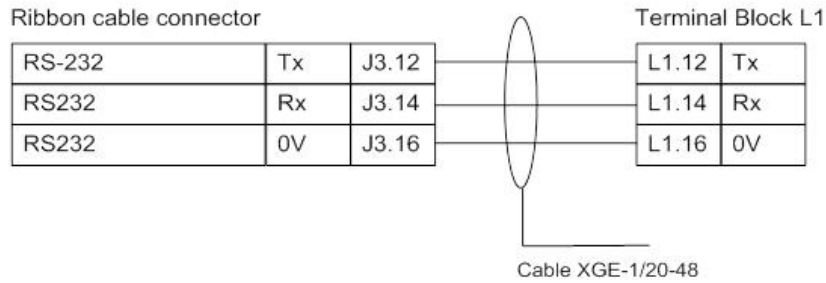
Switch	RS-422
S6.1	ON
S6.2	OFF
S6.3	OFF
S1.1	OFF
S1.4	OFF

15.13.3 Schematic of port equivalent:



15.14 RS-232 Connections

15.14.1 Ribbon Cable Connector BSA-400 to Terminal Block L1

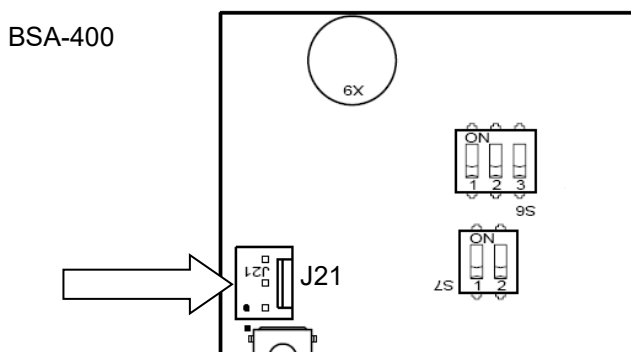


15.14.2 Switch Setting – Switch S6 and S1

Switch	RS-232
S6.1	Not applicable
S6.2	Not applicable
S6.3	Not applicable
S1.4	Not applicable

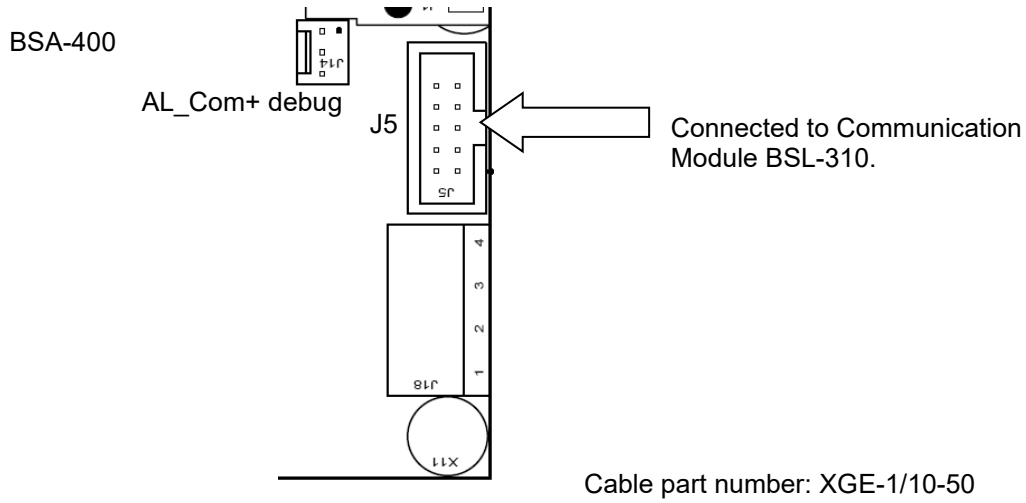
15.15 Serial Debug Connector J21

A standard AutoSafe programming cable XJA-029 is to be connected to this connector. The interface uses RS-232 115,2kbaud 8N1.



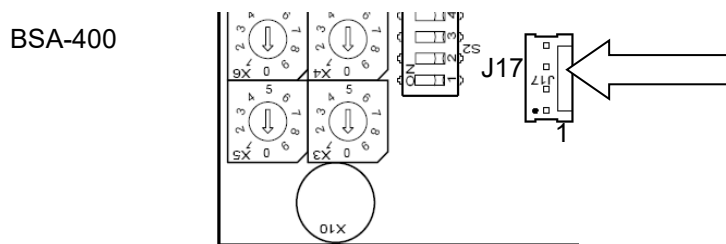
Connector	Description	Communication Parameters
J21.1	0V reference	115,2kbaud 8 data bit, none parity, 1 stop bit
J21.2	RX	
J21.3	TX	

15.16 AL_Com+ Connector J5



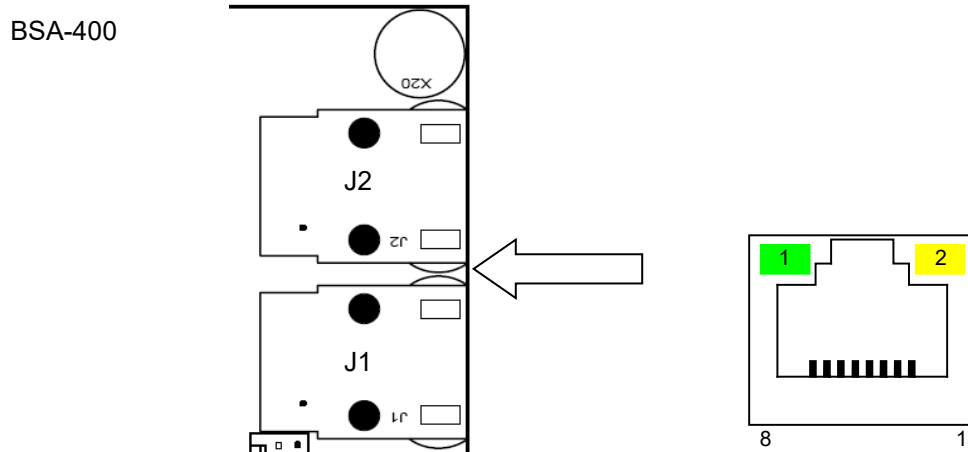
Connector	Description
J5.1	AL_Com+ CTS
J5.2	0VIN
J5.3	AL_Com+ RXD
J5.4	0VIN
J5.5	Not Connected
J5.6	0VIN
J5.7	AL_Com+ TXD
J5.8	0VIN
J5.9	AL_Com+ RTS
J5.10	0VIN

15.17 LCD Backlight Connector J17



Connector	Description
J17.1	Backlight LED + 5V DC
J17.2	Backlight LED -
J17.3	Backlight LED -
J17.4	Backlight LED - 0V

15.18 Ethernet Ports (RJ-45 Connectors)

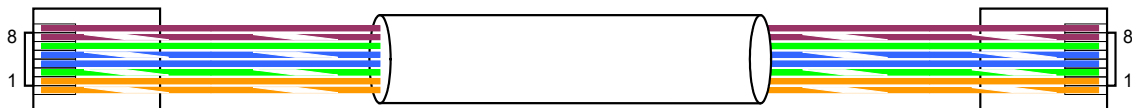


The BSA-400 board provides two separate 10/100Mbit Ethernet ports. Each connector has 2 built-in status LEDs; Link and Act/Speed. The connector is an RJ-45 modular jack, suitable for shielded cable CAT5 which allows cable lengths up to 100m.

Connector	Connector	Description
J1.1	J2.1	TX+, Transmit Data+
J1.2	J2.2	TX-, Transmit Data-
J1.3	J2.3	RX+, Transmit Data+
J1.4	J2.4	N.C.
J1.5	J2.5	N.C.
J1.6	J2.6	RX-, Transmit Data-
J1.7	J2.7	N.C.
J1.8	J2.8	N.C.

LED 1	Activity LED
LED 2	If ON, 100MBit/s, if OFF, 10MBit/s

15.18.1 Ethernet Straight Through Cable



Name	Pin		Cable Color	Pin	Name
TX+	1		White/Orange	1	TX+
TX-	2		Orange	2	TX-
RX+	3		White/Green	3	RX+
	4		Blue	4	
	5		White/Blue	5	
RX-	6		Green	6	RX-
	7		White/Brown	7	
	8		Brown	8	

16. Appendix B – Power

16.1 Power Unit BPS-410

Note:

The BPS-410 Power Unit 24VDC/10A is delivered as two separate part numbers:

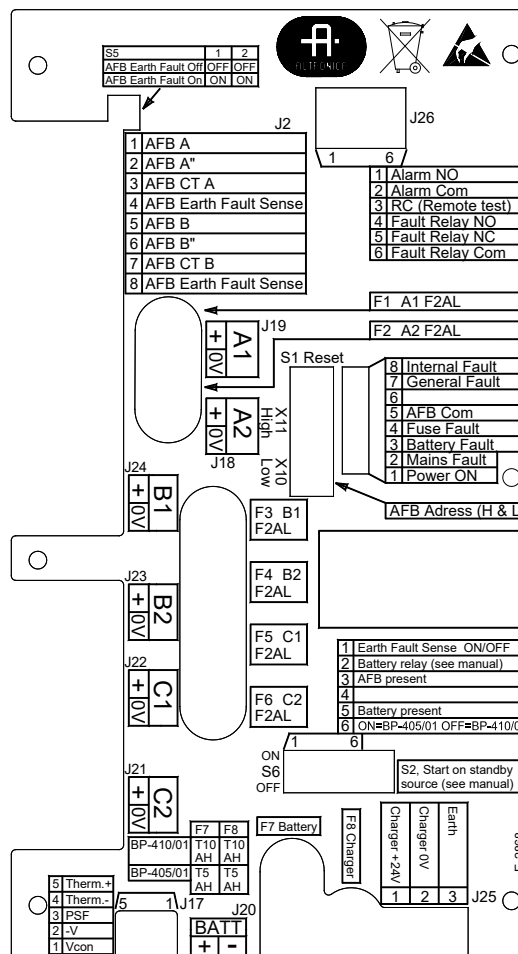
- 116-BPS-410 for 230VAC
- 116-BPS-410/115 for 115VAC

The Power Unit BPS-410 contains the following:

- 24V/10A power supply
- Power Board BSF-400, including:
 - AutoFieldBus interface
 - 115VAC or 230VAC input
 - 6 outputs 24VDC (max. 2A each)
 - 1 fault relay output

For detailed information, refer to this chapter (Power Supply) and datasheet.

16.2 Power Board BSF-400



16.3 Description

BSF-400 is a power monitor and controller board providing a communication interface, AutoFieldBus. The board has also the ability to operate stand alone with no communication. The fault relay is energized as standard with its own watchdog.

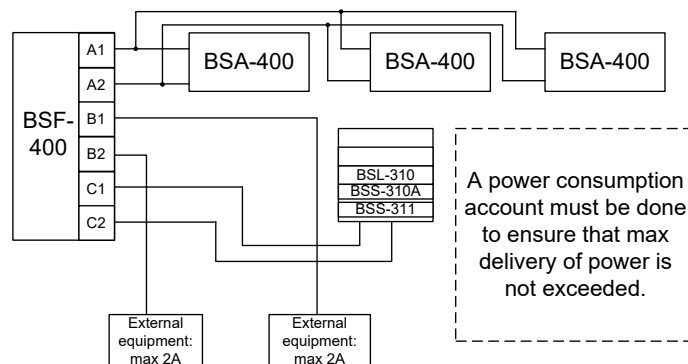
The power board provides power to AutoSafe, AutoSafe's existing I/O module stacks, battery monitoring and charging, plus 24 voltage contacts for other external equipment.

- 2 x 24V outputs of 2A to AutoSafe panel
- 2 x 24V outputs of 2A to I/O stack
- 2 x 24V outputs of 2A to third-party equipment
- 1 input for battery
- 1 input for battery charger
- Communication
- Power control for battery
- Control signals for battery charger
- All internal voltage levels are monitored
- Temperature sensor for compensation of charger voltage

BSF-400 has short circuit protection on all outputs such that a short circuit will not affect other outputs. Batteries that are connected will be charged with temperature compensation to ensure long battery life regardless of temperature (within the specified operating temperature range).

All outputs on terminations A, B and C are specified to a maximum current of 2A. There are no minimum power ratings for the outputs. The maximum power that may be used from each output is 2A and there is a current limiter implemented at 7A.

16.4 Power Block Diagram – Example



16.5 Batteries

The recommended cable parameter for BSF-400 is minimum 1,5mm² / 15,4 AWG.

There is no minimum requirement for drawing power.

16.6 Power Unit BPS-410

The inputs for the battery and the charger are specified to handle up to 10A. The fuses, F7 battery and F8 Charger, shall have 10A fuses. Batteries that are to be used with BSF-400 are Fiamm batteries with the maximum size of 18Ah. The minimum size of batteries is 12Ah.

The maximum current that may be drawn from the batteries when the primary power source is disconnected is 10A for BPS-410. The maximum power that may be drawn from BPS-410 is 8A.

I max A	Maximum battery current output when mains disconnected	Fuse F7: Charger, Battery
8A	10A	T10AH

The maximum internal resistance for a battery connected to a BSF-400 is 0,6Ω, any higher resistance than this will be detected as a fault in the battery by BSF-400.

NOTE: If power to the system is supplied exclusively from the batteries (in case of a power supply failure), and the voltage is below 19V, the Power Board BSF-400 will perform a controlled shutdown (i.e. the power is switched OFF).

16.7 Battery Charging

The charging voltage is temperature controlled, so optimal charge for each temperature is maintained.

Charge current is also controlled, so that the charging voltage will decrease when the charge current reaches 2A.

A "Battery voltage too low"-warning will display on AutoSafe systems connected to the BPS-410 via AutoFieldBus. The message will clear when charge current drops below 400mA.

Attention: The battery temperature sensor must be placed on the batteries. If the sensor is placed in warmer or colder places, the charging voltage will be wrong, and lower battery capacity and/or shorter battery life may be expected.

The charging voltage at 25°C is 27, 2 V DC.

Note that when the BSF-400 board is turned OFF and batteries are connected to the battery termination, the leak current of the batteries is 6mA.

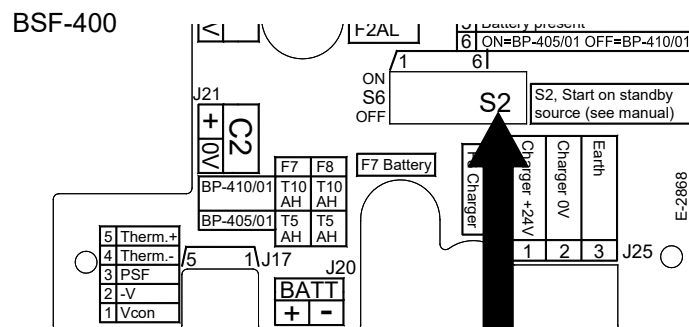
16.8 Button S2 – Start on S2 on Standby Source

By pressing button S2 one second, the system can be started (without mains source) from the battery when the battery voltage is >20V DC.

Note that, if the battery voltage is less than 20V DC, the button will have no affect (hardware controlled).

Troubleshooting:

In some cases the voltage can be slightly above 20V DC and drop rapidly to below 20V DC. The relay will then tend to chatter. In this case, it is recommended that the system is not started until the battery is fully charged.



S2:
Start on
standby source

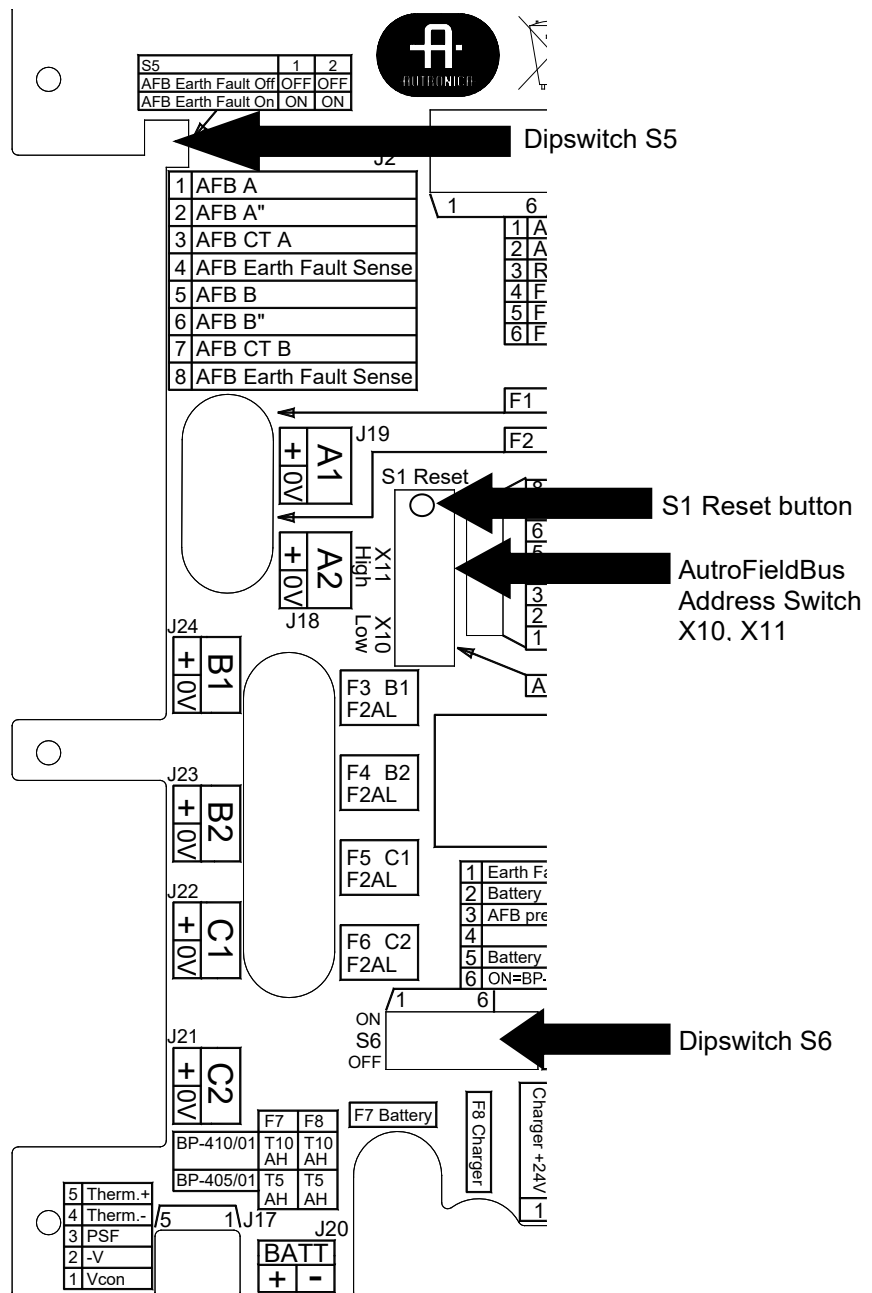
16.9 Configuration Settings

The BSF-400 board may be used in several different configurations. The board is configured by means of two switches:

- Dipswitch S5 and S6 (refer to dipswitch tables,
- Rotary switches X10 and X11 - AutoFieldBus address switch. Each
- Power Board is given a unique address.

If for any reason the settings on dipswitch S6, X10 or X11 have been changed, the BSF-400 must be restarted by pressing the reset button S1 for this change in order to be taken into account.

The power has two modes of user interaction; standalone (S6.3 OFF) or with communication to the AutoSafe system.



16.10 Dipswitch table – S5 and S6

Dipswitch table – S5

S5.1	S5.2	Function
OFF	OFF	AutoFieldBus earth fault OFF
ON	ON	AutoFieldBus earth fault ON

Dipswitch table – S6

Switch	Name	Comment
S6.1	Earth Fault	ON: Earth fault monitoring activated OFF: Earth fault monitoring deactivated
S6.2	--	NA
S6.3	AutoFieldBus	ON: AutoFieldBus connected OFF: AutoFieldBus not connected Note: If S6.3 is set to OFF, a fault message will appear. The unit will not be approved according to EN-54-4 (psu).
S6.4	Not used	NA
S6.5	Battery	ON: Battery connected Batteries must always be connected.
S6.6	Power Unit Type	ON: BPS-405 (obsolete) OFF: BPS-410

16.11 Connector Description BPS-410

Connector	Description	BPS-410
J25	Power Supply	To BSP-405 (Mean Well Power Supply)
J20	Battery connector	To Battery 27,3VDC charging
J17	Temp. sensor/Mean Well Control	Not applicable. Applies to BPS-405 (obsolete).
J26 1-3	Powernet control	Control wires for power supply.
J26 4-6	Fault Relay	Fault Relay (NO, NC, com) Fault output.
J19	Output A1	24V/2A (BSA-400 V _{in1} +/-0V)
J18	Output A2	24V/2A (BSA-400 V _{in2} +/-0V)
J24	Output B1	24V/2A, general power output
J23	Output B2	24V/2A, general power output
J22	Output C1	24V/2A with interrupt at init
J21	Output C2	24V/2A with interrupt at init

The power outputs have different properties. They can all deliver 2A each (limited by total power available).

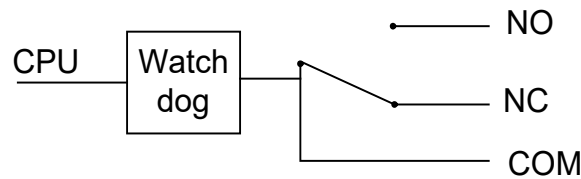
Output	Description
Output A	These will always be ON. Will be turned OFF by a short-circuit only.
Output B	These are initially ON, but may be switched OFF/ON from AutoSafe.
Output C	These will be turned OFF during start-up of BSF-400 (initialization). May be switched OFF/ON from AutoSafe. Power to I/O modules.

16.13 Fault Relay Watchdog J26

The fault relay on the BSF-400 board has its own watchdog. If the CPU stops for any reason the watchdog will turn over the fault relay if it is not fed within 1 second.

If for any reason the BSF-400 restarts, it takes 5 seconds before the fault relay is in the correct position:

- J26.4 (normally open contact): closed contact when the unit is not
- supplied with power or there is a fault on the unit
- J26.5 (normally closed contact): closed when no faults exist
- J26.6 (common): common for fault relay



Note that the fault relay will not be turned over for communication faults on the AutoFieldBus.

The green and red LED beneath the cover are indicators for AFB-RX and – TX. Heartbeat is indicated when these LEDs are blinking simultaneously. Rapid blinking indicates heavy traffic on the AutoFieldBus. If the red LED is weak and the green one is not lit, there is no communication between the BSF-400 board and the AutoFieldBus.

LED number / Colour / Schematic reference	Mechanic name (E-2868)	Description
1. Green	Power ON	This LED signifies that the BSF-400 has power and will be OFF for 20 ms every second.
2. Yellow	Mains Fault	Will blink if power supply lacks 230V AC connection.
3. Yellow	Battery Fault	Blinking LED; for all battery faults, except when a battery fuse is blown
4. Yellow	Fuse Fault	Blinking LED for all fuse faults and also for all electronic fuse faults.
5. Yellow	AutoFieldBus Com	The LED is lit shortly if AutoFieldBus communication is received or transmitted.
6. Yellow		For future use.
7. Red	General Fault	Blinking LED if there are one or more faults in the power supply system.
8. Yellow	Internal Fault	Blinking LED if there exist one or more internal faults on the BSF-400. This includes temperature on the BSF-400 out of bounds. Internal faults are mostly PCB errors. This LED blinks in a much faster cycle than the others.

All blinking LEDs, except where otherwise stated, will blink with 0,5 seconds ON and 0,5 seconds OFF.

16.14 Battery Resistance Measurement

Every fourth hour, battery impedance measuring is conducted.

This is conducted by lowering the PSU voltage so that all loads are powered from the batteries for a period of 60 seconds, then a built in resistor is turned ON for 2 seconds. BPS-410 will then measure the voltage increase between the resistor ON and OFF and thus calculate the battery resistance. This measurement includes the wires to and from the battery.

The battery high resistance fault is given when the total resistance of the battery and battery cables is:

Type	Resistance
Power Unit BPS-405 (obsolete)	0.8Ω
Power Unit BPS-410	0.6Ω

- If such a fault is given, check the cable resistance or replace the batteries.

16.15 Electronic fuses

16.15.1 Power outputs

Power outputs A1, A2, B1, B2, C1 and C2 are protected by both electronic and regular fuses. The electronic fuses will trip if a current between 3.5A and 7A is drawn. The electronic fuse will turn OFF power within approx. 10ms of a short circuit. The BSF-400 will try to turn ON power 3 times with ~50s interval between each try.

If an external fault is not resolved, BSF-400 will not try to re-power more than 3 times. A reset on an AutoSafe panel or pushing reset button S1 will force the BSF-400 to retry.

IMPORTANT: To be safe, remove regular fuse before troubleshooting external faulty equipment.

16.15.2 Battery Input

The battery input is protected by an electronic short-circuit detector and a regular fuse. If a short circuit is detected, the battery relay will turn OFF within approx 50ms. The AutoSafe AutoFieldBus system will then report “Battery not connected”.

16.16 Part of an AutoFieldBus Network

As a part of an AutoFieldBus network, the power module is configured before start-up using dipswitches, some data, for example, “Low voltage”-warning is given from an AutoSafe configuration via AutoFieldBus.

Diagnostic outputs are given onboard with LEDs and alarm relay, and on AutoSafe panels with audible alarms and display messages. The LEDs and fault relay will not indicate any failure before the AutoSafe has AutoFieldBus connection and the AutoSafe system has been initialized.

16.17 Power Unit BPS-410 as Standalone

In the standalone system, user input is given during installation only, using dipswitches onboard. Set dipswitch S6.3 OFF to set the power supply in standalone mode.

Diagnostic outputs are given onboard with LEDs and fault relay.

17. Appendix B - Fault messages Power Board BSF-400

Fault category: Power		
Fault message	Cause	Remedy
BSF-400 – Power supply fault General Fault LED blinking	Power supply OK, but power supply cable(s) unplugged	Re-insert power supply cables
	Power supply malfunction	Replace Mean Well or Power Box PSU unit.
BSF-400 – Mains fault Mains Fault LED blinking General Fault LED blinking	Mains is disconnected, loss of power from mains source	Re-insert mains plug, check mains power source
	Mean Well PSU control cable is disconnected/broken	Re-insert or replace control cable.
BSF-400 – Battery not connected Battery Fault LED blinking General Fault LED blinking	Battery is disconnected	Re-connect battery
	Battery is short circuited	Remove short circuit
BSF-400 – Battery fuse blown Fuse Fault LED blinking General Fault LED blinking	Battery fuse is blown	Replace with appropriate fuse
BSF-400 – Battery temperature sensor open circuit Battery Fault LED blinking General Fault LED blinking	Battery temperature sensor cable is disconnected or broken	Replace battery temperature sensor cable
BSF-400 – Battery temperature sensor short circuit Battery Fault LED blinking General Fault LED blinking	Battery temperature sensor cable is short circuited	Remove short circuit
BSF-400 Output [A1/A2/B1/B2/C1/C2] electronic fuse blown Fuse Fault LED blinking General Fault LED blinking	A short circuit or very high current draw has occurred on power output.	Warning: BSF-400 will try to re-power automatically. Remove corresponding fuse before working with faulty external equipment. Remove short circuit and press reset on AutoSafe panel to reset electronic fuse.
BSF-400 Output [A1/A2/B1/B2/C1/C2] fuse blown Fuse Fault LED blinking General Fault LED blinking	The fuse is blown.	Replace with appropriate fuse
BSF-400 Output [A1/A2/B1/B2/C1/C2] voltage to low. General Fault LED blinking	This may occur when running on battery only and battery voltage is below 18V.	Insert mains to charge batteries.
	This warning may occur when a fuse is removed from an output with no load.	Accept fault in AutoSafe.
BSF-400 Battery Relay Fault	This warning may occur during start-up if a	Connect battery, or put dip switch 5 to OFF

Fault category: Power		
Fault message	Cause	Remedy
	battery is not connected	position if no battery is to be used
	The relay fault warning may occur if there is a hardware fault.	Replace BSF-400 board.
BSF-400 Battery voltage to low	This message may occur under start-up when battery voltage is to low, i.e. charging current is >1100mA.	Message will clear when charge current drops below 400mA.

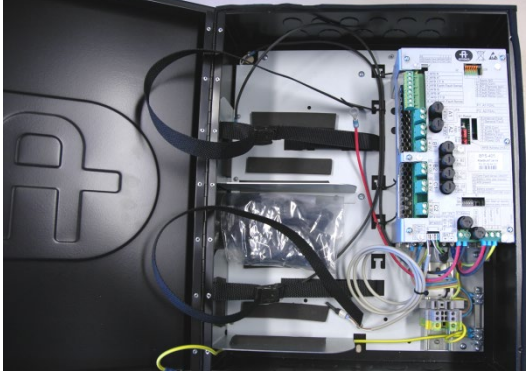
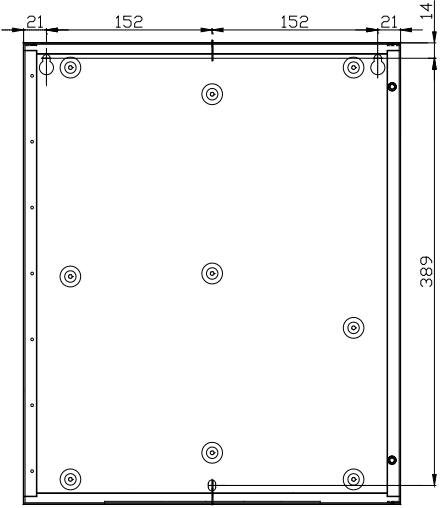
18. Appendix C – BP-405 (Obsolete)


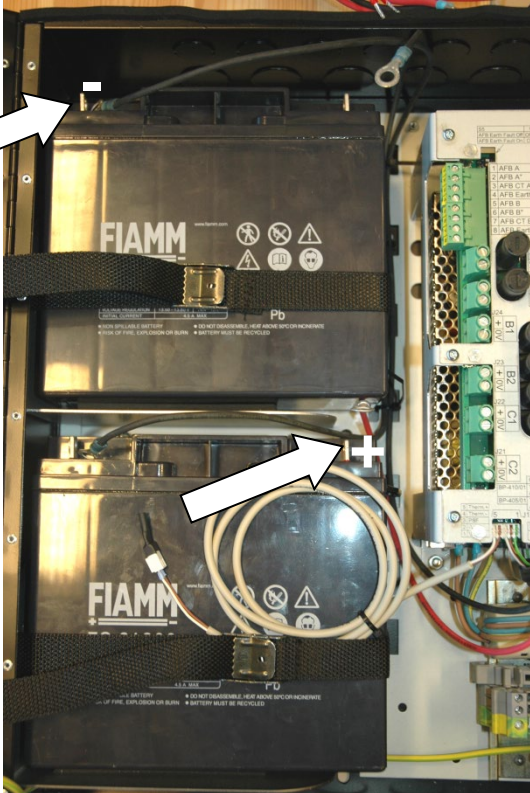
18.1 Mounting Power Cabinet BP-405 (obsolete)


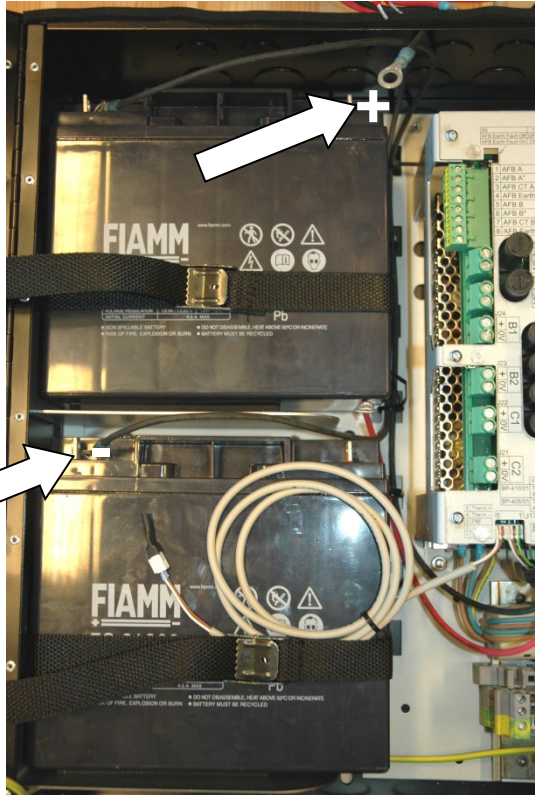
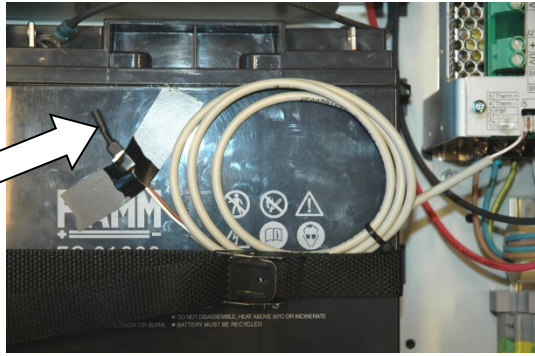
AutroSafe Release 4 provides a Power Cabinet BP-405 with space for two 12V/18Ah batteries (not included). The power supply and battery brackets are already mounted when the cabinet is delivered from the factory.

The mounting procedure deals with the mounting of the cabinet and the internal batteries.

Note that the Power Cabinet can be placed under and fastened directly to a Fire Alarm Control Panel BS-420 or a Controller BC-420. The position of the 11 cable inlets/outlets at the bottom of the BS-420/BC-420 match exactly with the ones on the top of the Power Cabinet BP-405.

Instructions	Remarks	Illustrations
<ul style="list-style-type: none"> ■ Unlock the front door by unscrewing the door lock screws ■ Open the front door. 		
<ul style="list-style-type: none"> ■ Mark and drill holes. 	<p>The cabinet has 3 mounting holes located at the rear. The 2 upper holes are of key-hole-type.</p>	
<ul style="list-style-type: none"> ■ Partly fasten the upper screws. ■ Hang the cabinet onto the upper screws. ■ Partly fasten the bottom screw. ■ Tighten all screws. 		

Instructions	Remarks	Illustrations
<ul style="list-style-type: none"> ■ Insert both batteries in their appropriate locations with the battery poles facing up and towards the outside of the cabinet. ■ Tighten the strap around each battery. 		
<ul style="list-style-type: none"> ■ Connect the black cable from the connector on the Power Board to the minus pole on the uppermost battery. ■ Connect the red cable from the connector on the Power Board to the plus pole on the lowermost battery. 	<p>Make sure that the correct black cable is connected to the minus pole, i.e. the one that is connected to the Power Board on the other end.</p>	

Instructions	Remarks	Illustrations
<ul style="list-style-type: none"> ■ Power must not be applied before commissioning. ■ At a later stage (during commissioning) interconnect the other plus pole and minus pole on the batteries with the cable. 	<div style="text-align: center;">  <p>POWER OFF!</p> </div>	
<ul style="list-style-type: none"> ■ Locate the wire (Part No. 116-XL-069) connected to the Power Board (Therm + and Therm-), then fasten the temperature sensor on the other end of the cable to the battery with a piece of tape. 	<p>Make sure that the sensor itself is securely fastened close to the battery.</p> <p>The length of the temperature sensor wire must not exceed 3m. Make sure that the wire is not placed close to other wires that conduct high current, as for example, wires for sounder circuits, 230VAC or 24VDC.</p>	

18.2 Power Cabinet and Power Units

AutoSafe 4 provides the following power cabinet and power units:

- Power Cabinet BP-405 (obsolete)
- Power Unit BPS-405 (obsolete)

18.2.1 Power Cabinet BP-405 (OBSOLETE)

The Power Cabinet BP-405 contains the following:

- 24V/5A power supply (BPS-405, Meanwell Power Supply)
- Power Board BSF-400, including:
 - AutoFieldBus interface
 - 115VAC /230VAC input
 - 6 outputs 24VDC (max. 2A each)
 - 1 fault relay output
- 2x12V, 18Ah batteries

For detailed information, refer to this chapter (Power Supply) and datasheet.

18.2.2 Power Unit BPS-405 (OBSOLETE)

The Power Unit BPS-405 contains the following:

- 24V/5A power supply
- Power Board BSF-400, including:
 - AutoFieldBus interface
 - 115VAC /230VAC input
 - 6 outputs 24VDC (max. 2A each)
 - 1 fault relay output

For detailed information, refer to this chapter (Power Supply) and datasheet.

The inputs for the battery and the charger are specified to handle up to 10A. The fuses, F7 battery and F8 Charger, shall have 10A fuses. Batteries that are to be used with BSF-400 are Fiamm batteries with the maximum size of 18Ah. The minimum size of batteries if batteries are connected is 7,2Ah.

The maximum current that may be drawn from the batteries when the primary power source is disconnected is 10A for BPS-405.

There is no minimum requirement for drawing power. The maximum power that may be drawn from BPS-405 is 3A.

I max A	Maximum battery current output when mains disconnected	Fuse F7: Charger, Battery
3A	10A	T10AH

The maximum internal resistance for a battery connected to a BSF-400 is 0,8Ω, any higher resistance than this will be detected as a fault in the battery by BSF-400.

NOTE: If power to the system is supplied exclusively from the batteries (in case of a power supply failure), and the voltage is below 19V, the Power Board BSF-400 will perform a controlled shutdown (i.e. the power is switched OFF).

19. Appendix D – ETL/UL Approval

19.1 Intertek ETL Listed Directory

Title: CONTROL UNITS FOR FIRE-PROTECTIVE SIGNALING SYSTEMS

Company: AUTRONICA FIRE & SECURITY AS - Trondheim, NORWAY

Product Information:

Control Units and Accessories for Autronica AutoSafe Interactive Fire Detection System, Model Nos. BS-420G2, BS-420G, BS-420M, BS-420MG, BS-420, BSD-311, BSD-310, BSL-310, BSS-310A, BSS-311, BSE-320, BSJ-310, BSD-310/N, BC-420, BC-420G2, BS-1346, BS-1346G2, BC-440G2, BC-440, BSE-310, BSB-310A, BSD-330, BSD-321/1, BSD-340/2, BSD-340/1, BN-342/2, BN-342/1, BN-342/EX, BU-110, BV-110, BN-180, BNB-331, BN-221/01, BN-221/02, BN-307, BN-305, BN-201, BN-300, BN-320, BN-310, BN-303, BN-304, BN-305, BN-305-D, BN-305-2, BW-201, BW-200, BPS-410, MINI-PS-12-24DC/24DC/1, BU-BV-420, BU-BV-420G2, BS-430, BS-430G2, BZ-500, FL SWITCH 2206-2FX SM, FL SWITCH 2206-2FX, FL SWITCH 2207-FX SM, FL SWITCH 2207-FX, FL SWITCH 2208, FL SWITCH SFNT 8TX, FL SWITCH SFNT 7TX/FX, FL SWITCH SFNT 5TX, FL SWITCH SFNT 4TX/FX, FL SWITCH SFNB 4TX/FX.

Evaluated to the following:

(UL-864) AND ARE IDENTIFIED WITH THE ETL RECOGNIZED COMPONENT MARK

**RECOGNIZED
COMPONENT**



Conforms to
UL Std. 864

Intertek
5022802

