

# SAUNA HEAT DETECTOR SWM-1KL 140 SPARE PART

Conventional fire detection systems  
Product Datasheet

## Description

### To be used only as spare parts

116-5861-033.0150/SPARE is a replacement unit for the obsolete Sauna Heat Detector 116-5861-033.0150.

#### NOTE:

The replacement unit does not carry any valid certification.

SWM-1KL 140 Spare Part is a fixed-temperature heat detector, designed for use in damp spaces. It contains a bi-metallic sensor with a contact which closes its contacts at alarm temperature 140 °C.

The unit is delivered with two cable glands and three blanking plugs.

#### NOTE:

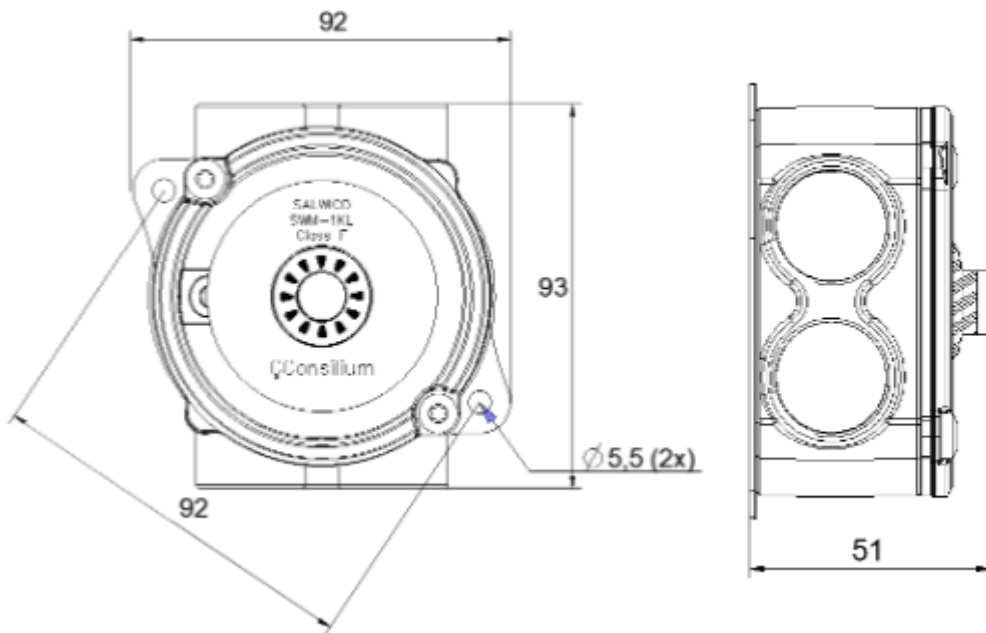
Reuse alarm resistor / EOL resistor when replacing the unit.



Product Name	Part number	Description
SWM-1KL 140	116-5861-033.0150/SPARE	Spare part replacement unit, Heat detector SWM-1KL 140 °C

Technical specifications	
Detector type	SWM-1KL 140
Weight	250 g
Materials	Aluminium
Colour	Cream
Working voltage	14 VDC $\pm$ 2 V
Current consumption	
Normal	0 mA
Alarm	> 35 mA (conventional installation)
Alarm temperature	140 °C
Degree of protection	IP55
Temperature	-10 °C to +110 °C
Cable inlets	2 x $\varnothing$ 18,6 mm
Maintenance	None
Service	Replace at faulty condition
Approvals	<a href="http://www.autronicafire.com">www.autronicafire.com</a>

### Dimension (mm)



### Connections

