

# POWER CABINET STX RANGE WITH POWER SUPPLY (2A, 5A AND 10A)

## Interactive fire detection systems Product Datasheet

### Features

- 27.6 V DC output
- Deep discharge protection
- Remote fault signaling
- Full rated current to load plus additional current for battery charging
- LED indication
  - Mains status
  - Output fault
  - Battery fault
  - Charger fault
- Volt-free fault output – EPS
  - Mains fail
- Volt-free fault output – PSU fault
  - Battery fault
  - Charger fault
  - Loss of output
- Mains transient protection
- 10 A version can charge up to 2 x 65 Ah batteries housed in a separate battery box

### Description

The Power Cabinet STX is available in three different versions, including either a 2A, 5A or 10A power supply. All versions have space for two 12V/18Ah batteries (*not* included).

If larger batteries are required, a battery box can be ordered separately. The battery box provides space for two 12V/65Ah batteries (*not* included).

The Power Cabinet STX range is designed for use in fire detection and fire alarm systems and it is certified in accordance with EN54-4:1997 +A1 +A2.

The Power cabinet can be placed maximum 10 cm from the fire detection system.



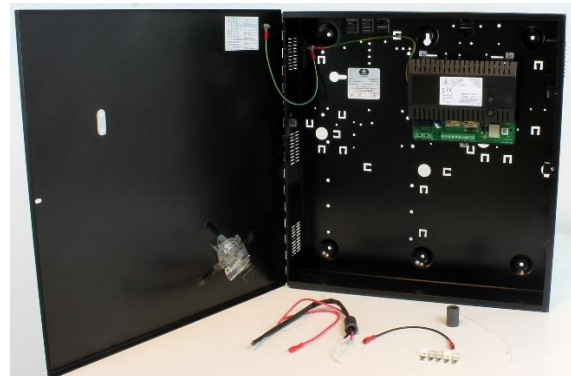
(The picture shows the 5A version, part no. 116-4550-012.2405E)

Power supply failures that may occur must be reported to the AutoSafe panel. In order to report such failures, an additional input module is required. In the connection diagrams on the next pages, an additional IO unit, BN-201, (Figure 1) or Input Module, BSE-320, (Figure 2) is shown. Other input modules can be used for this purpose, for example, BN-303, BN-304 or BN-305.

### Top view of cabinet



### Inside cabinet



## Part numbers

Part number	Description	Rating (A)	Maximum battery size
116-4550-012.2405E-KIT	Power Cabinet STX 24V/5A Including: 116-PSU-SPARE/PACK 116-BN-201 2 x 116-4460-002. 116-4550-012.0711	5 A	2 x 12 V / 18 Ah
116-4550-012.2410E-KIT	Power Cabinet STX 24V/10A Including: 116-PSU-SPARE/PACK 116-BN-201 2 x 116-4460-002. 116-4550-012.0711	10 A	2 x 12 V / 18 Ah
116-4550-012.2402E	Power Cabinet STX 24V/2A Including 116-4550-012.0711	2 A	2 x 12 V / 18 Ah
116-4550-012.2405E	Power Cabinet STX 24V/5A Including 116-4550-012.0711	5 A	2 x 12 V / 18 Ah
116-4550-012.2410E	Power Cabinet STX 24V/10A Including 116-4550-012.0711	10 A	2 x 12 V / 18 Ah
<b>Accessories:</b>			
116-4550-012.BATT-BOX-65	Battery Box Size 2 x 12 V 65 Ah	7,2 A	2 x 12 V / 65 Ah
<b>Spare parts:</b>			
116-4550-012.0711	Battery leads		
116-PSU-SPARE/PACK	PSU CONNECTION SPARE PACK, incl. 2A fuse		
116-7580-002.4920	2A fuse for 116-PSU-SPARE/PACK		
116-BN-201	MONITORING INPUT UNIT		
116-4460-002.	Battery 12V/17Ah		

## Technical Specifications

Dimensions (mm) Power cabinet (HxWxD):	420 x 400 x 80
Dimensions (mm) Battery Box (HxWxD):	534 x 465 x 268
Material	Steel, lacquered
Weight Power Cabinet	Without battery: 5,8 kg
Mains input	93-264 V AC
Output	27,6 V DC
Maximum current	According to above table
Operating temperature	-10°C to 40°C at 95 % RH
Storage temperature	-20°C to 80°C at 95 % RH
Protection grade	IP30 will be achieved whenever the power cabinet is mounted directly to a smooth surface wall.

## LED indicators

LED type	Function
Yellow LED	Fault Indicator (See manual – Table 1)
Green LED	Mains supply On Indicator
Orange LED	Diagnostic Indicator (Not visible through front panel)

The installation instructions from the supplier has to be followed, and the manual can be found following the links in Table 1 below.

Table 1: Links to manuals and installation instructions from Power Cabinet manufacturer on the Autronica product web.

Product	Link to manual
Power Supply 24V/2A	<a href="http://product.autronicafire.com/products/fire-and-gas-detection-systems/fg-system-units/power-supply-">http://product.autronicafire.com/products/fire-and-gas-detection-systems/fg-system-units/power-supply-</a>
Power Supply 24V/5A	<a href="http://product.autronicafire.com/products/fire-and-gas-detection-systems/fg-system-units/power-supply-units/stx-5a/">http://product.autronicafire.com/products/fire-and-gas-detection-systems/fg-system-units/power-supply-units/stx-5a/</a>
Power Supply 24V/10A	<a href="http://product.autronicafire.com/products/fire-and-gas-detection-systems/fg-system-units/power-supply-units/stx-10a/">http://product.autronicafire.com/products/fire-and-gas-detection-systems/fg-system-units/power-supply-units/stx-10a/</a>

## Connections to AutoSafe

**Figure 1** and **Figure 2** below show different setups for the connections of the power supply to AutoSafe 4. In addition, **Figure 3** shows one example of using the included parts for distributing 24 V power.

**Figure 1** below shows how the power supply connects to AutoSafe 4, this requires an additional IO module (part number 116-BN-201 is standard).

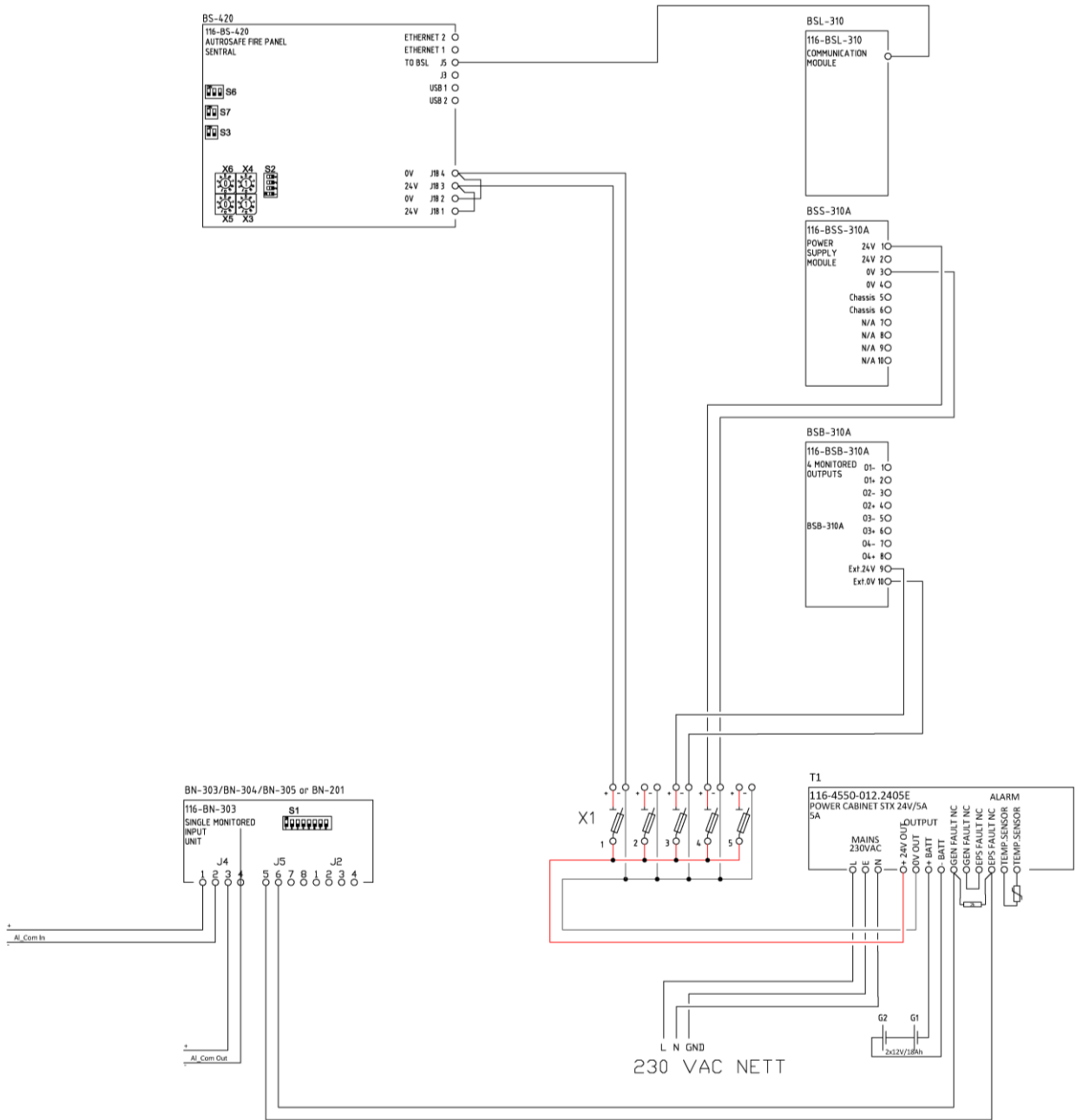


Figure 1: Connection to AutoSafe using IO unit BN-201.

**Figure 2** shows an alternative connection, where an additional Input Module (part number 116-BSE-320) is connected.

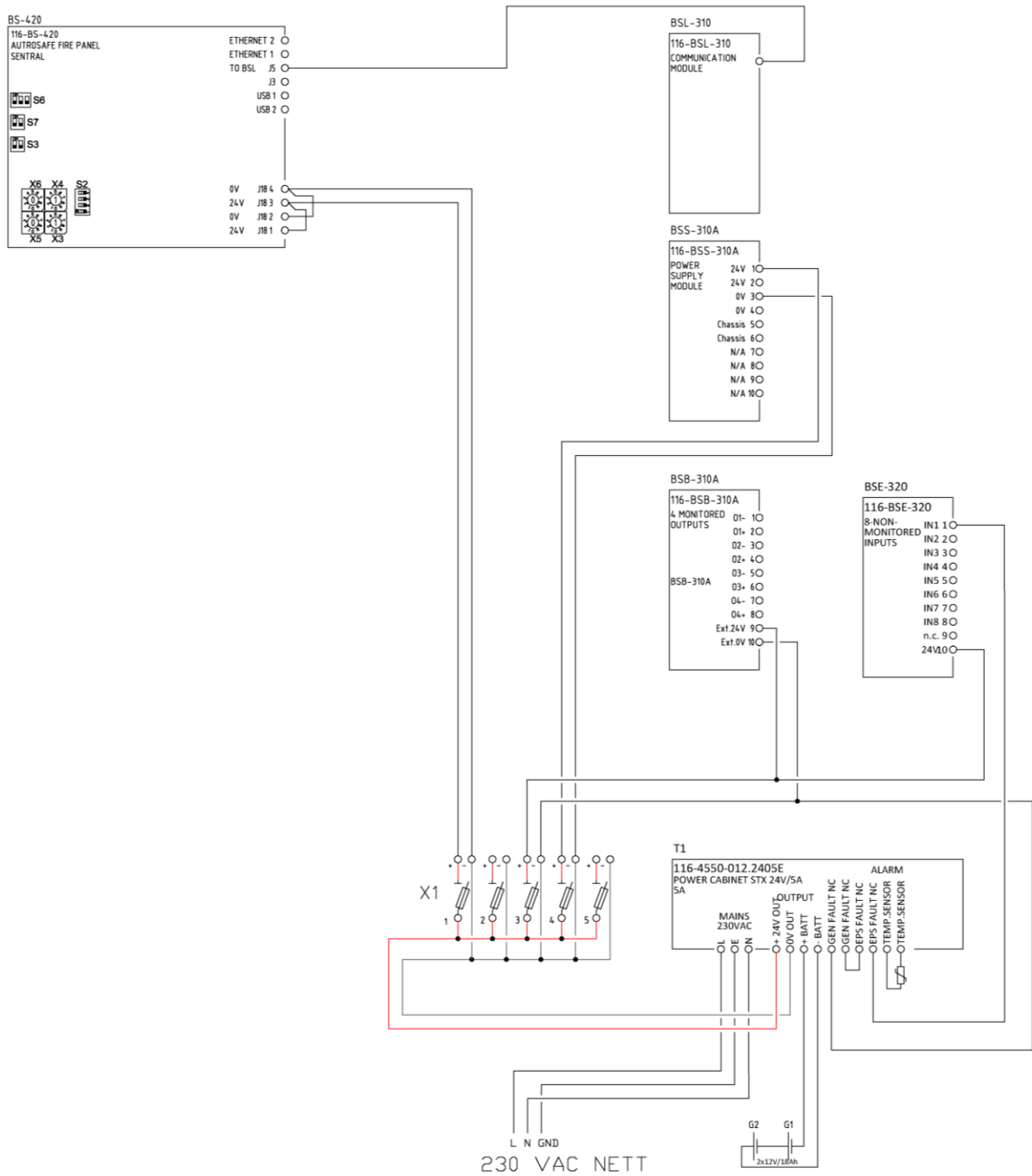


Figure 2: Connection to AutroSafe with Input module BSE-320.

**Figure 3** shows an example of a setup for distributing 24V power with use of 116-PSU-SPARE/PACK (included when ordering the Power Cabinet)



Figure 3: Example of setup for distributing 24 V power (the picture shows the 10A version).

### Ground connection between power supply and AutoSafe Panel

