

Features

- User-friendly display and operator controls.
- Scroll function for more alarms.
- Possible to change to different event windows.
- Backlighting operational buttons. Text display suitable for full darkness operation.
- 16 lines display with 40 characters per line.
- Capable of surface or flush mounting and for rack mounting in standard 19" cabinets.
- Designed to meet local regulations and conforms to CE standards.
- Complies to environmental conditions of IEC-721-3-3 class 3k5.



Applications

The Information Panel BV-320 serves as an indication device only. It provides information related to the defined operation zone(s).

The panel offers a *More Events* button for scrolling through several alarms within the same event window.

The *Next Window* button allows you to step to a new event window, for example from Fire to Fault Warning window.

The *Lamp Test* button activates all indicators to be lit for 5 seconds.

The panel communicates with other system units on the local operating network, AUTROLON. There can be a maximum of 32 panels in a LON- ring (EN-54). Demand for more than 32 panels needs several LON-rings. External 24V DC power is required.

Text Display

- 16 x 40 characters alphanumeric display

Indicators

- Fire / Alarm, Function Disabled, Function Delayed, Test, Power.
- Internal buzzer.

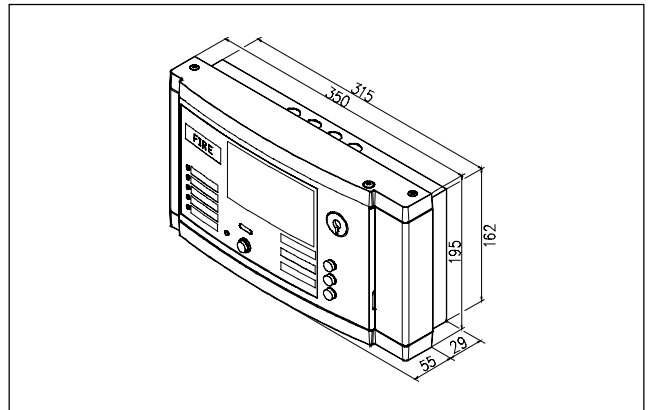
Operator Controls

- More Events button (black)
- Mute Panel button (black)
- Next Window button (red)
- Lamp Test button (green)

Technical Specifications

| | |
|---------------------|---|
| Dimensions (mm) | 350x195x84 |
| Cut Out Dimensions | 320 x 170 x 30 mm |
| Weight | 2,3 kg |
| Materials | Steel cabinet, ABS/PC moulded front |
| Protection class | IEC-529 / IP30 |
| Power supply | 24V DC Two individual 24V sources may be connected for redundancy. |
| Current Consumption | 180mA |
| Communication | AUTROLON |

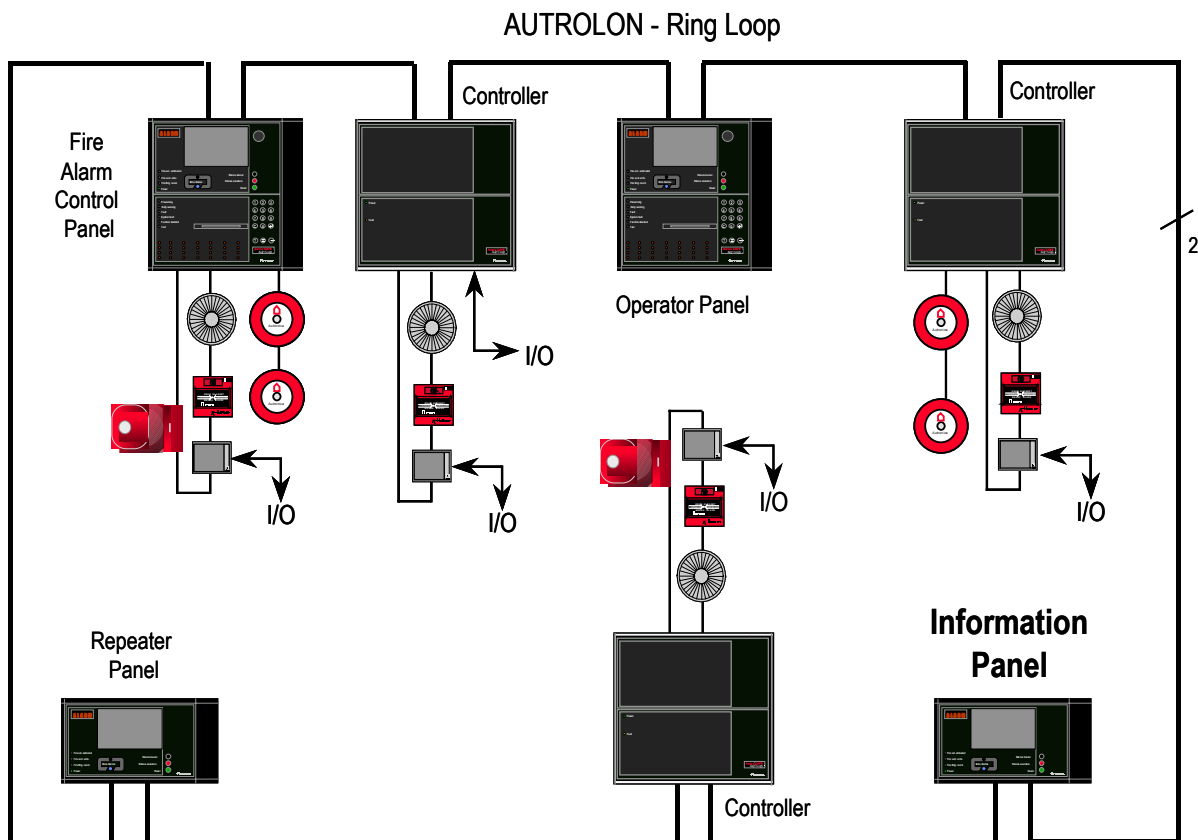
Dimensions



Order Numbers

| Order number | Description |
|--------------|------------------------------|
| BV-320/N | Information Panel, Norwegian |
| BV-320/D | Information Panel, Danish |
| BV-320/GB | Information Panel, English |
| BV-320/NL | Information Panel, Dutch |
| BV-320/S | Information Panel, Swedish |

System Overview



Autronica Fire and Security AS

Fire and Security, Trondheim, Norway. Phone: + 47 73 58 25 00, fax: + 47 73 58 25 01.

Oil & Gas, Stavanger, Norway. Phone: + 47 51 84 09 00, fax: + 47 51 84 09 99.

Autronica Industrial Ltd., Watford, United Kingdom. Phone: 1923 23 37 68, fax: 1923 22 55 77.

Visit Autronica Fire and Security's Web site: www.autronicafire.com