

Features

- User-friendly display and operator controls
- Backlit operational buttons. Text display suitable for full darkness operation
- 16-line display with 40 characters per line
- Surface or flush mounting, or rack mounting in standard 19" cabinets
- Designed to meet local regulations, and conforms to CE standards
- Complies to environmental conditions of IEC-721-3-3 class 3k5

Applications

The Repeater Panel BU-320 displays alarms and allows you to operate alarms and receive additional information related to the relevant operation zone.

The panel is used to silence sounders and to reset alarms within a defined operation zone. The whole system can be reset from this panel, provided that the panel's relation to the operation zone is defined this way.

The panel communicates with other system units on the local operating network, AUTROLON.

There can be a maximum of 32 panels in a LON-ring (EN-54). A demand for more than 32 panels requires several LON-rings.

External 24VDC power is required.

Text Display

16 x 40-character alphanumeric display

Indicators (standard)

- Fire/Alarm, Function Disabled, Function Delayed, Power
- Internal buzzer

Operator Controls

- More Events button
- Mute Panel button
- Silence Alarms button
- Reset button

Operator Key

- Key operation for access to alarm operation (access level 2)



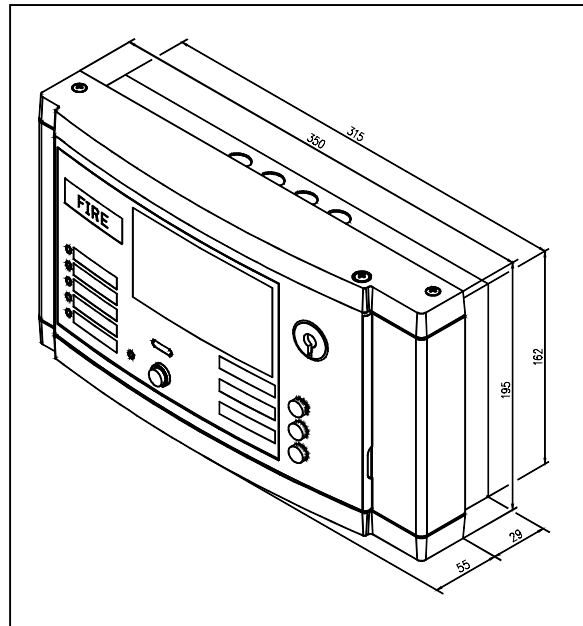
Technical Specifications

Dimensions (mm)	350 x 195 x 84
Weight	2,3 Kg
Materials	Steel cabinet, ABS/PC moulded front
Protection class	IEC-529 / IP30
Power supply	24VDC Two individual 24V sources may be connected for redundancy.
Current Consumption	180 mA
Communication	AUTROLON

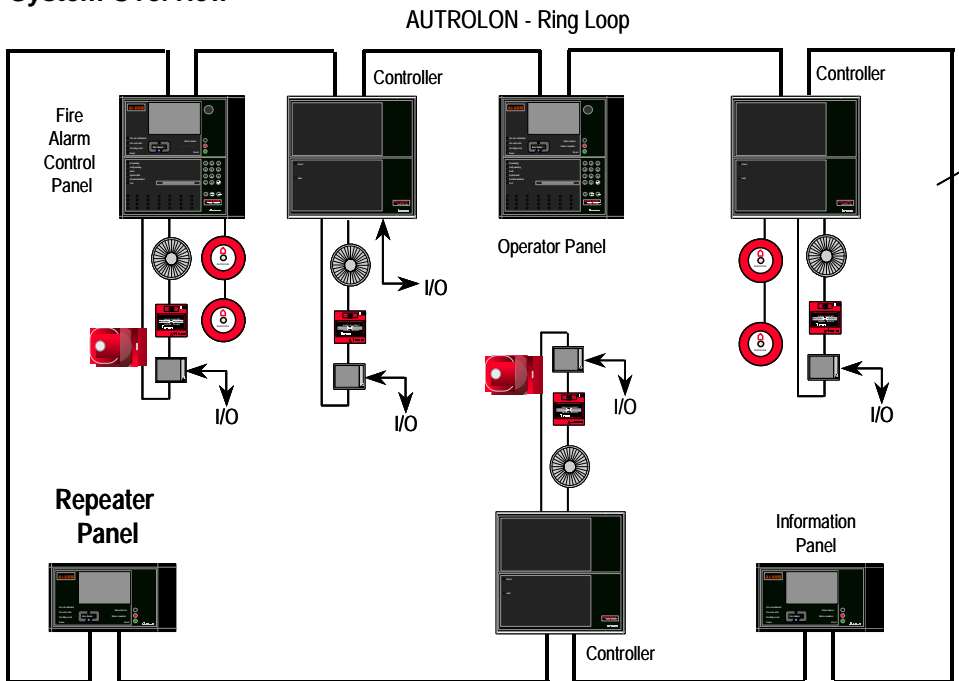
Order Numbers

Order number	Description
BU-320/N	Repeater Panel, Norwegian
BU-320/DK	Repeater Panel, Danish
BU-320/GB	Repeater Panel, English
BU-320/NL	Repeater Panel, Dutch
BU-320/S	Repeater Panel, Swedish

Dimensions



System Overview



Autronica Fire and Security AS

Fire and Security, Trondheim, Norway. Phone: + 47 73 58 25 00, fax: + 47 73 58 25 01
 Oil & Gas, Stavanger, Norway. Phone: + 47 51 84 09 00, fax: + 47 51 84 09 99
 Maritime Sales, Spikkestad, Norway. Phone: + 47 31 29 55 00, fax: + 47 31 29 55 01

Visit Autronica Fire and Security's website: www.autronicafire.com