

## Features

- Self-Verify Function for automatic testing of detectors.
- Automatic addressing of detectors.
- User-friendly display and operator controls.
- Backlighted operational buttons. Text display suitable for full darkness operation.
- Capable of surface or flush mounting and for rack mounting in standard 19" cabinets.
- Designed to meet EN-54 requirements and conforms to CE standards.
- Complies to environmental conditions of IEC-721-3-3 class 3k5.

## Applications

BS-330 serves as an operating panel for one or several defined *operation zones*.

All alarm handling and system features can be controlled and monitored from the panel. A restricted scope of operation may be configured.

The panel communicates with Controllers and the entire system via the AutroLON local operating network.

There can be a maximum of 32 panels in a LON- ring (EN-54). Demand for more than 32 panels needs several LON-rings.

The panel is menu operated on a 16 lines display with 40 characters per line.

External 24 V DC supply is required.

## Indicators

16 x 40 characters alphanumeric display

Fire / Alarm, More Events, Fault, Function Disabled, Function Delayed, Fire Brig. Signalled, Power, Testing, Fire Brigade Disabled, Fire Brig. Fault, System Fault, Alarms Disabled, Alarms Fault.

Internal buzzer.

## Operater control

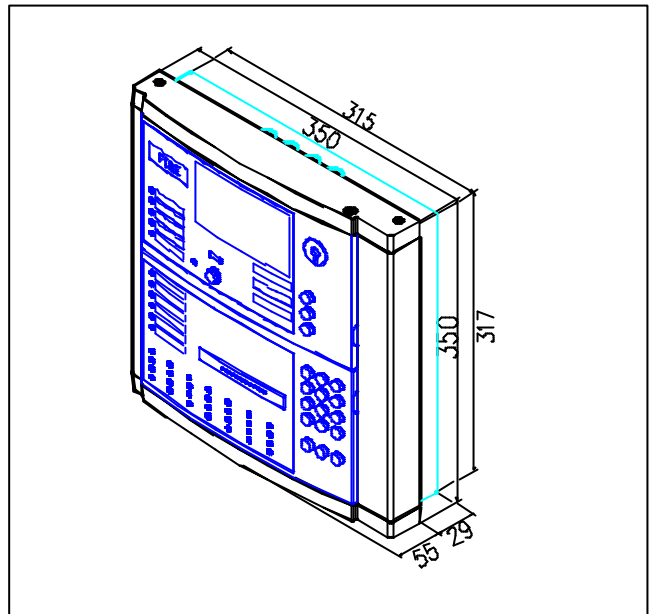
- More Events, Mute Panel, Silence Alarms, Reset.
- Numeric keyboard, with scroll and alpha characters.
- Separate buttons for menu operation.



**Technical Specifications**

Dimensions (mm)	350x350x84
Weight	3,4 kg
Materials	Steel cabinet, ABS/PC moulded front
Protection class	IEC-529 / IP30
Power supply	24V DC Two individual sources may be connected.
Current Consumption	170mA at 27V DC
Communication	AutroLON

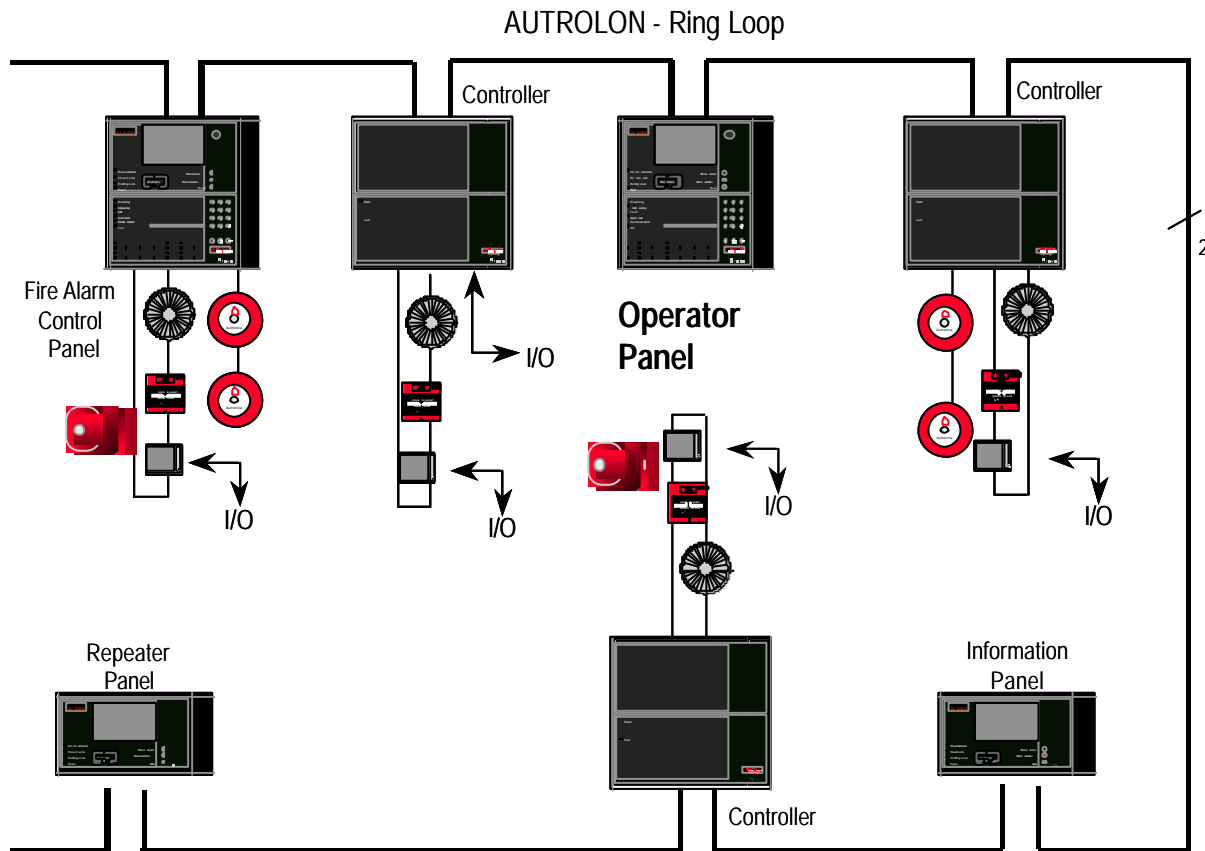
**Dimensions**



**Order Numbers**

Order number	Description
BS-330	Operator Panel
Options:	
	Language
BUP-310	Printer

**System Overview**



**Autronica Fire and Security AS**

Fire and Security, Trondheim, Norway. Phone: + 47 73 58 25 00, fax: + 47 73 58 25 01.

Oil & Gas, Stavanger, Norway. Phone: + 47 51 84 09 00, fax: + 47 51 84 09 99.

Autronica Industrial Ltd., Watford, United Kingdom. Phone: 1923 23 37 68, fax: 1923 22 55 77.

Visit Autronica Fire and Security's Web site: [www.autronicafire.com](http://www.autronicafire.com)