

Features

- Standalone Fire Alarm Control Panel with 2 Detection Loops, providing a total of 254 loop units, of which a maximum of 198 can be detectors / manual callpoints.
- AutoSafe SelfVerify® technology ensures optimal detection of the system
- Easy to install, configure and commission - Automatic addressing of detectors.
- Great flexibility in configuration – large and small alarms configurable for Fire Alarm Devices and Control Outputs.
- User-friendly display and operator controls.
- Backlighted operational buttons. Text display suitable for full darkness operation.
- Capable of surface or flush mounting and for rack mounting in standard 19" cabinets.
- Approved to EN-54, designed to meet LPCB requirements and conforms to CE standards.
- Complies to environmental conditions of IEC-721-3-3 class 3k5.
- Built-in battery monitoring with control outputs for activation of charger/battery, plus monitoring of earth faults.

Application / Description

AutoSafe BS-310R is a complete standalone, addressable and interactive Fire Alarm Control Panel providing 2 detection loops. All alarm handling and system features can be controlled and monitored from the panel.

The system provides the AutoSafe SelfVerify® technology, ensuring optimal detection 24 hours a day. Every day the system completely checks all detectors, interfaces, connections and cables – from detector chamber through to the alarm output. AutoSafe SelfVerify® not only tests whether a detector is capable of provoking an alarm, it even verifies the sensitivity of every detector with a calibrated signal. The system ensures that each detector will always respond to the correct alarm level.

The panel is delivered from the factory with 2 Loop Driver Modules and 1 Output Module monitored BSB-310.

The panel has a 230 VAC / 3A power module for battery charging and a built-in emergency battery.

The panel is menu operated on a 16 lines display with 40 characters per line.

Indicators

- 16 x 40 characters alphanumeric display
- Fire / Alarm, More Events, Fault, Function Disabled, Function Delayed, Fire Brig. Signalled, Power, Testing, Fire Brigade Disabled, Fire Brig. Fault, System Fault, Alarms Disabled, Alarms Fault.
- Internal buzzer.



Operator Controls

- More Events, Mute Panel, Silence Alarms, Reset.
- Numeric keyboard, with scroll and alpha characters.
- Separate buttons for menu operation.
- Buttons and text with back light.

Modules

- *Loop Driver Module* (BSD-310). For connection of detection loops. 1 detection loop can be connected to each module. A maximum of 127 loop units (detectors, manual call points, I/O-units and/or an electronic sounders) can be connected to each detection loop.
- *Output Module* (BSB-310), with 4 monitored outputs. For connection to fire alarm devices (FAD), such as sounders etc., and fire protection equipment (FPE) such as fire doors, ventilation controller or fire extinguishers. Also suitable for connection to fire alarm routing equipment (FARE), such as fire brigade equipment, and for connection to fault outputs (FWRE).

Capacity

Each unit is equipped with 3 modules, including:

- 2 Loop Driver Module
- 1 Output Module monitored BSB-310

Each Fire Alarm Control Panel provides a maximum of 254 (2x127) loop units, of which a maximum of 198 can be detectors / manual callpoints.

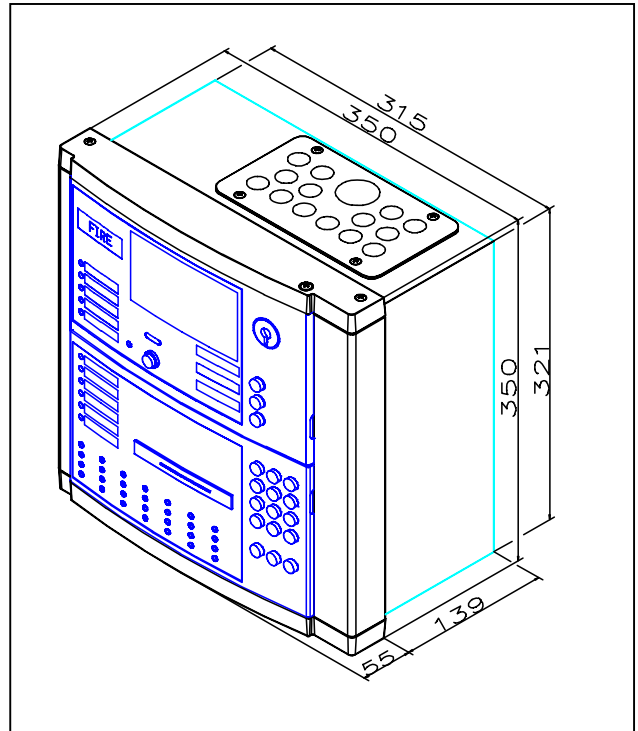
Technical Specifications

Dimensions (mm)	350x350x194
Weight	Without battery 8,5 kg
Materials	Steel cabinet, ABS/PC moulded front
Mounting	Surface or flush mounting
Protection class	IEC-529 / IP30
Ambient temperature	-20 to +55 C
Power supply	230V AC +10% / -15% Frequency: 50 Hz
Current consumption from internal battery / charger	250mA at 27V DC
Capacity	2 Loop Driver Modules BSD-310 1 Output Module, monitored with 4 relay control outputs BSB-310.
Capacity - Loop Driver Module	Each Fire Alarm Control Panel has 2 Loop Driver Modules, providing a maximum of 254 (2x127) loop units, of which a maximum of 198 can be detectors / manual callpoints.
Battery Capacity	24V 12Ah = 2 x 12V / 12Ah
Detector connection	By use of BSD-310
Monitored Outputs:	4 monitored control outputs by use of BSB-310.
- Fire Brigade - Fire Alarm Devices - Fire Doors, Ventilation Control - Common Fault	
Communication. Standard AutoCom Protocol	Possibility for Serial or Ethernet Communication

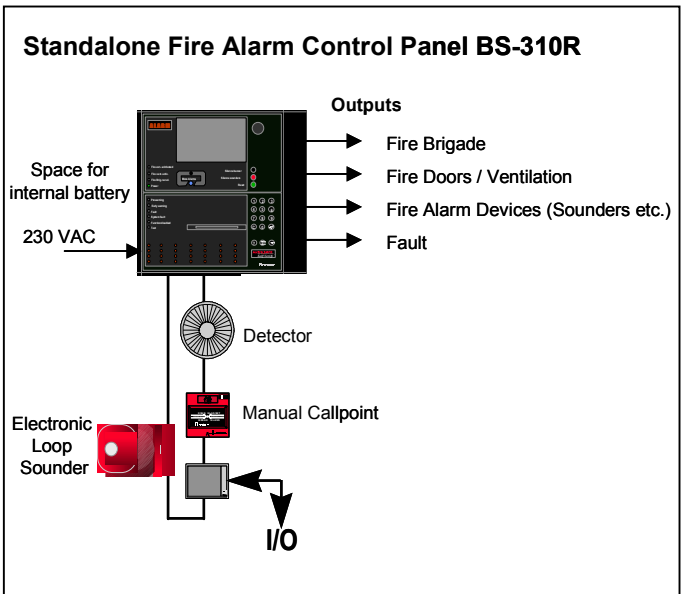
Order Numbers

Order number	Description
BS-310R	Operator Panel
Battery	Must be ordered separately.
Options:	
	AutoCom / Ethernet or Serial Port
	Language

Dimensions



System Overview



Autronica Fire and Security AS

Fire and Security, Trondheim, Norway. Phone: + 47 73 58 25 00, fax: + 47 73 58 25 01.
Oil & Gas, Stavanger, Norway. Phone: + 47 51 84 09 00, fax: + 47 51 84 09 99.

Visit Autronica Fire and Security's Web site: www.autronicafire.com