

### Features

- Interactive.
- Interface unit for interfacing external units onto the AutoSafe System.
- Input/output signals.
- 2 inputs: Monitored for on/off-function.
- 1 output: Potential-free changeover contact.
- With the SelfVerify® function on the inputs.
- Short circuit isolator in each unit.
- Automatic addressing.
- Proven technology.
- Intended for connection to the AutoSafe Fire Alarm System.
- Designed to meet the requirement of the major maritime classification societies.

### Application / Description

The Autronica BN-320/D-XS is designed to be used for maritime installations. The unit is connected to the detector loop to control and monitor different types of doors. Typical applications are:

- Interface for Fire Doors.
- Interface for Watertight Doors.
- Interface for Lift Doors.

The unit has been designed for use with the Autronica AutoSafe Fire Alarm System and comprise the SelfVerify® function. This function ensures the highest grade of reliability and reduces the need for manual testing, because all units comprising this function are automatically checked once every 24 hours.

#### Note!

External units require 24V-working voltage (cannot be powered by the AutoSafe detector loop).

"SelfVerify®", the ability to initiate alarm signal is regularly checked.

### Principle

The unit has a printed circuit board (BNA-320/06) with two (2) monitored inputs, one (1) output, and will occupy one address on the detector loop.



The following is configured with AutoSafe Configuration tool:

- Activation delay (in seconds).
- Door monitoring time (in seconds).
- Door close time (in seconds).
- Door closed monitoring time (in seconds).

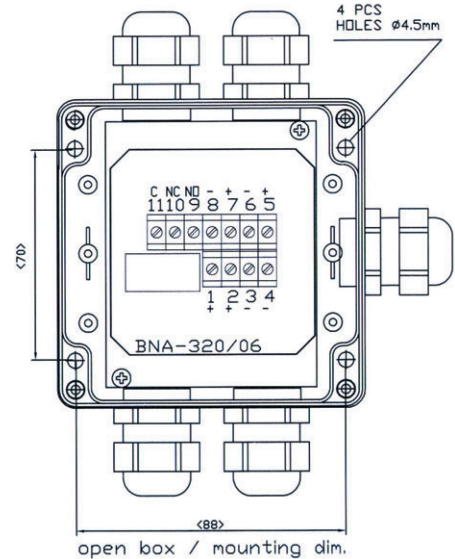
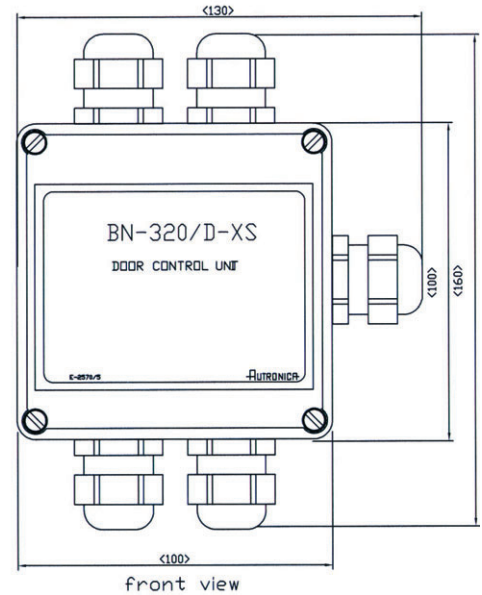
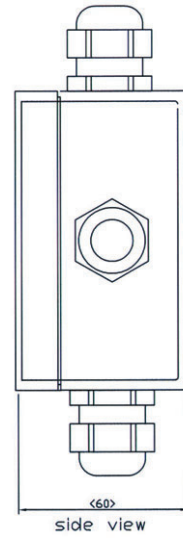
Must be configured as a BN-320/2 in the AutoSafe ConfigTool.

### Technical Specifications

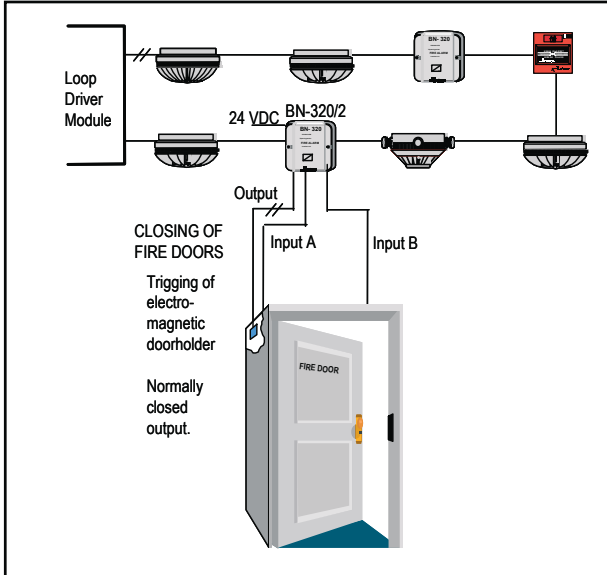
Weight	
Material	ABS (Acrylonitrile-Butadiene-Styrene) plastic
Colour	Light grey, RAL7035
Impact resistance (DIN 53453)	9 kJ/m2
Fire retarded	UL94-HB/3 mm
Temperature Resistant Method: DIN53461 A	74°C
Input function	Configurable
Max. capacitance on input	40 nF
Output	Potential-free changeover contact. Max. 1A / 30VDC resistive
Voltage	10 to 27VDC
Current consumption: Stand by	0.3mA
Degree of protection: Plastic box PG-inlets	IP65 IP68
Cable specifications Ø (mm)	PG16 (9-14)
Working temperature	-20 to +70°C
Humidity (non-condensing)	Max. 95% RH
Maintenance	None
Service	Replace if faulty
Environmental Effect	Recycle-friendly (plastic without embedded metal)
Approvals	See separate documentation

Order number	Description
BN-320/DXS	Standard Door Monitoring / Control Unit, extra small

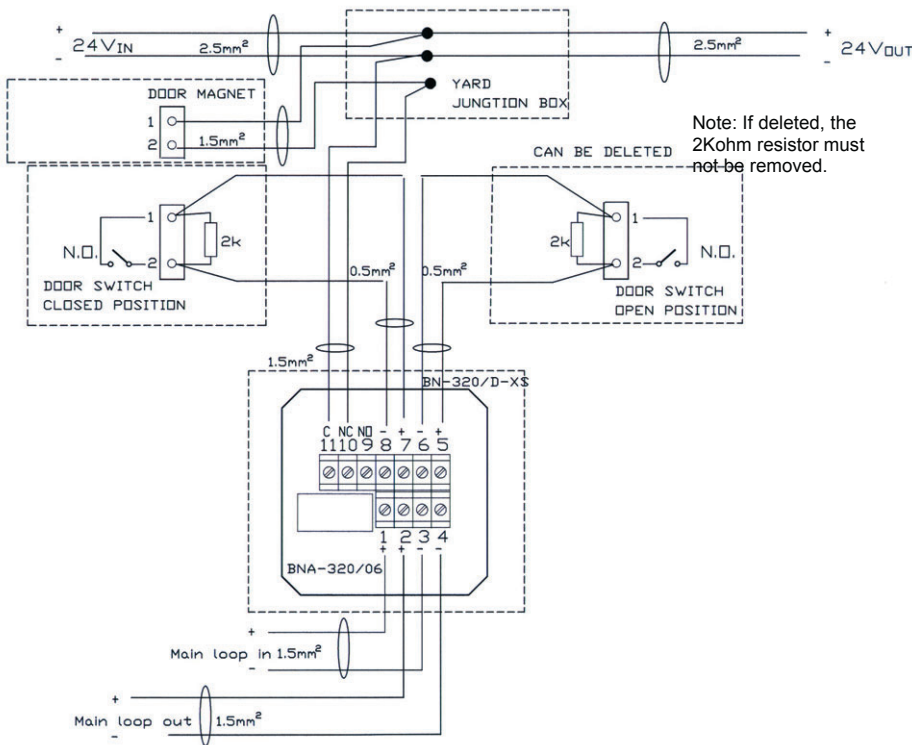
Dimensions



Overview



Connections



**Autronica Fire and Security AS**

Fire and Security, Trondheim, Norway. Phone: + 47 73 58 25 00, fax: + 47 73 58 25 01.  
Oil & Gas, Stavanger, Norway. Phone: + 47 51 84 09 00, fax: + 47 51 84 09 99.