

Manual call point with SelfVerify – BF-500/N

Interactive fire detection systems
Product datasheet

Declaration of conformity and instructions

Features

- Addressable
- Max. 3 seconds response time
- Built in indicator (LED)
- Can be tested by means of a special test key
- With SelfVerify function for reduced maintenance/testing and increased reliability
- Short circuit isolator in each unit
- Automatic addressing
- Proven technology
- Designed to meet the requirement of the major maritime classification societies

Applications

BF-500/N is a manual call point designed for use with Autronica's interactive fire detection systems, and comprises the SelfVerify function. This function ensures the highest grade of reliability and the lowest degree of manual testing because all units comprising this function are automatically self-tested once every 24 hours.

The call point is for use in hazardous area zone 2. It must be connected to a loop driver approved for zone 2.

The call point must be installed according to local regulations, which normally means along escape routes, landings and exits.

Principle

Break glass operation, releasing alarm switch.
Reset when a new glass is mounted.

SelfVerify: the manual call point's ability to initiate alarms is regularly checked.




Versions

- BF-300V2* Manual call point with SelfVerify
- BF-300M* Manual call point with SelfVerify, with metal mounting box and cable glands.
- BF-500V2/EX* Manual call point with SelfVerify. Ex ia version for use in all zones
- BF-300M/N* Manual call point with SelfVerify. Ex ic version for use in zone 2 only
- BF-500/N Manual call point with SelfVerify. Ex ic version for use in zone 2 only

* See separate data sheet

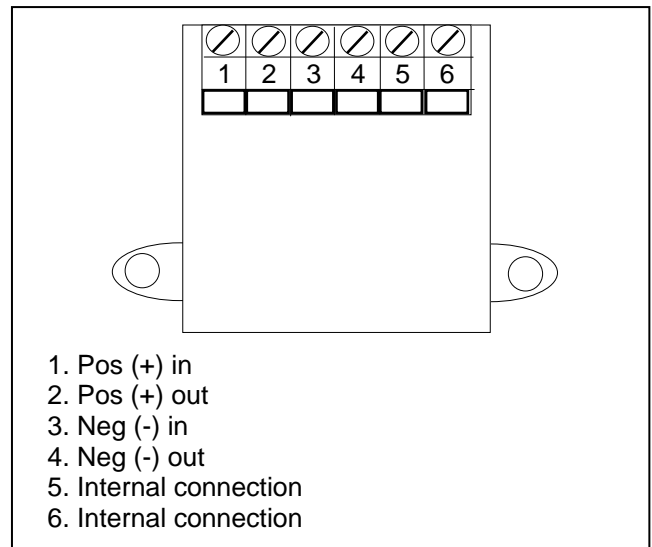
Schedule Drawing

No modifications permitted
without reference to the
Notified Body

Technical specifications	
Weight	108 g
Material	Thermo plastic
Colour	Red
Voltage	10 - 27 VDC
Current consumption	
Stand by:	0,3 mA
Alarm (LED):	6 mA
Envir. requirements	EN 54
Degree of protection, inner housing	IP44D
Working temperature	-30 - +50 °C
Storage temperature	-55 - +70 °C
Humidity (non-condensing)	Max. 95% RH
Maintenance	Replace broken glass
Service	Replace if faulty
Certificates	See website
Notified body	Nemko-Oslo-Norway ID No. 0470
Type examination certificates	NEMKO 03ATEX217X IECEX NEM 11.0017X
Directives and standards	94/9/EC (ATEX) EN 60079-0:2009 EN 60079-11:2007 IEC 60079-0:2007 IEC 60079-11:2006 2004/108/EC (EMC) Emission: EN 50081-1: 1992 Immunity: EN 50130-4: 1995 EN: 61000-6-2: 1999
Ex parameters	 II 3G Ex ic IIB T4 Gc

Part number	Description
116-BF-500/N	Manual call point certified for use in zone 2.

Connections

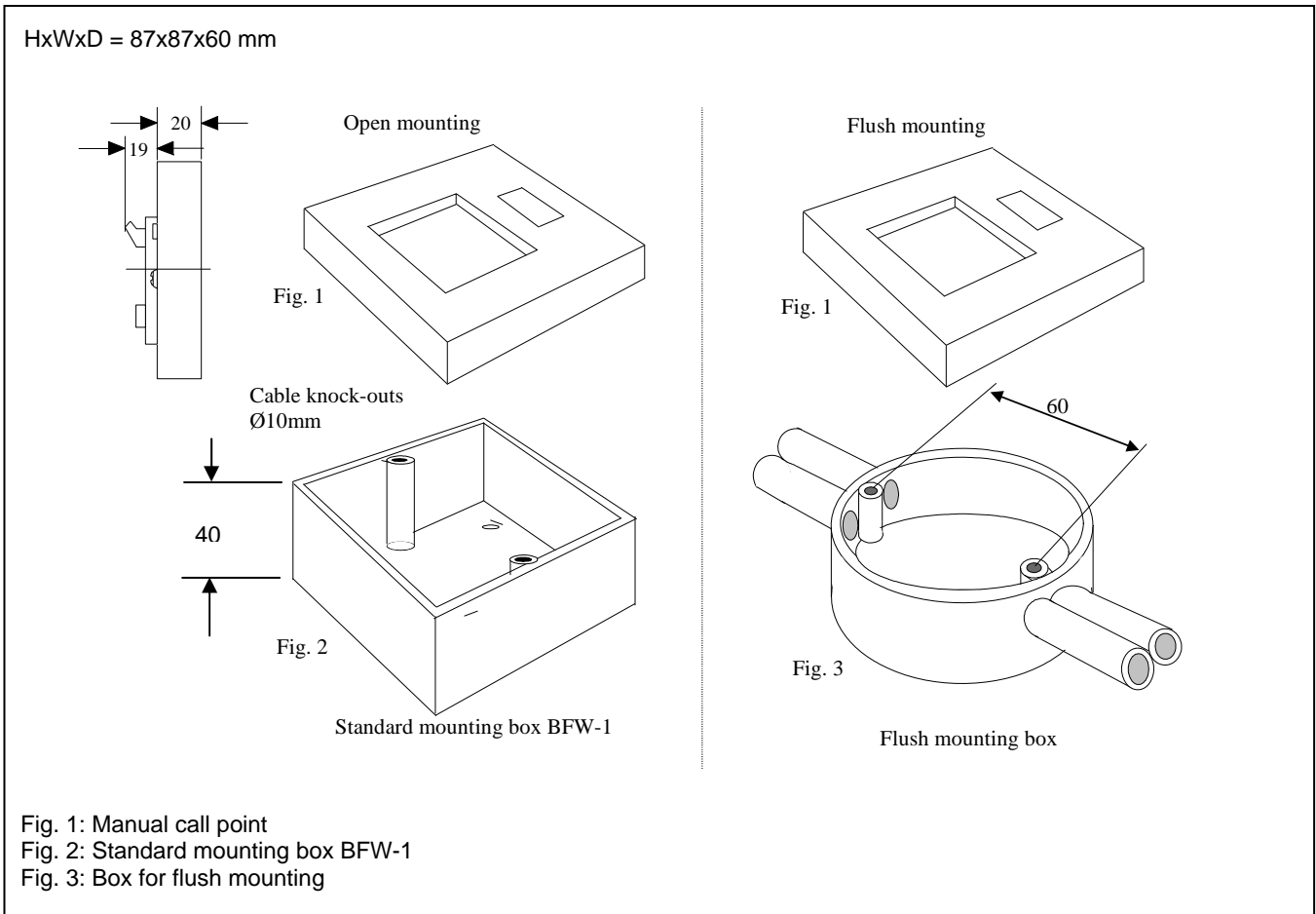


AUTRONICA FIRE AND SECURITY AS

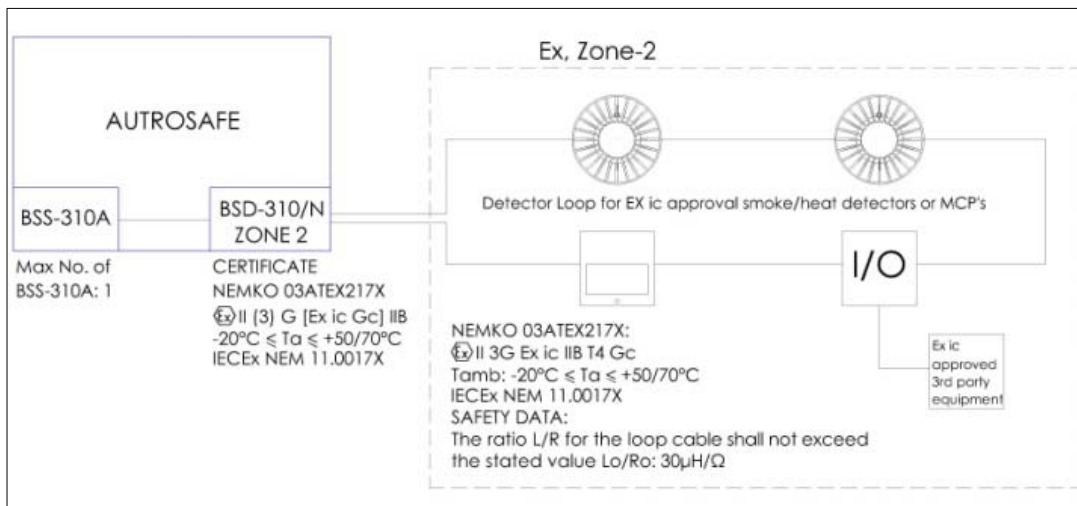
Head office, NO-7473 Trondheim, Norway Tel: +47 73 58 25 00, fax: +47 73 58 25 01, e-mail: info@autronicafire.no
Oil and Gas division, Stavanger, Norway Tel: +47 51 84 09 00, fax: +47 51 84 09 99
Maritime division, Spikkestad, Norway Tel: +47 31 29 55 00, fax: +47 31 29 55 01

Visit Autronica Fire and Security AS' website: www.autronicafire.com

Dimensions



Control drawing



Managing director Mr. Frode Lund

AUTRONICA FIRE AND SECURITY AS

Head office, NO-7473 Trondheim, Norway Tel: +47 73 58 25 00, fax: +47 73 58 25 01, e-mail: info@autronicafire.no
 Oil and Gas division, Stavanger, Norway Tel: +47 51 84 09 00, fax: +47 51 84 09 99
 Maritime division, Spikkestad, Norway Tel: +47 31 29 55 00, fax: +47 31 29 55 01

Visit Autronica Fire and Security AS' website: www.autronicafire.com