

BEXS110 ALARM HORNS – 117 DB(A)

Special detection Product Datasheet

Features

- Automatic synchronisation on multi-sounder system.
- Very large termination area.
- Ratchet adjustable stainless steel 'U' bracket.
- 'Programmable' version available:
 - 45 alarm tones
 - 4 remotely selectable stages
 - Any tone can be assigned to any stage
 - User configurable continuous frequency tone

Product overview

The flameproof BExS110 alarm sounder is suitable for zone 1 & Zone 2 applications.

Sound level outputs are up to 117dB(A) at 1 metre with a choice of 32 alarm tones and 3 remotely selectable stages.

The BEx range features enclosures manufactured from corrosion proof, marine grade copper free LM6 aluminium which is phosphated and powder coated. The re-entrant flare horns are high impact, fire retardant ABS. All models have two M20 cable entries, large termination areas containing in & out terminals (Ex de version only) and an ingress protection of IP66/67 (Ex d) and IP66 (Ex de).



Product name	Part number	Description
BExS110D	116-M6038	EX d Alarm horn, 117 dB(A), 24V DC
BExS110E	116-M6039	EX d Alarm horn, 117 dB(A), 230V AC

Other configurations on request

Technical Specification	
Maximum output*	117dB(A) @ 1 metre [108dB(A) @ 10ft/3m]
Nominal output*	110dB(A) @ 1m +/- 3dB - Tone 2 [101dB(A) @ 10ft/3m]
No. of tones	32 (UKO O A / PFEER compliant)
No. of stages	3
Volume control*	Max. 110dB(A); Min. 72 dB(A) - Tone 2
Effective range	100m @ 1KHz
Voltages DC	12V DC; 24V DC; 48V DC
Voltages AC	115V AC; 230V AC
Stage switching	Negative or positive
Ingress protection	S110D : IP66/67 S110E : IP66
Housing material	Marine grade copper free LM6 Aluminium
Housing finish	Phosphated & powder coated finish - anti-corrosion
Colour	RAL3000 Red
BExS110 flare	High impact UL94 V0 & 5VA FR ABS (Red)
Cable entries	Dual M2 0 ISO
Terminals	0.5 to 2 .5mm ² cables
Line monitoring	Min. 500 Ohm 2 w, or 3k3 Ohm 0.5w res. or diode within Exd enclosure (dc versions).
Weight	DC: 3.00 kg AC: 3.20 kg

*SPL data +/-3dB(A). Measured at optimum voltage.

Approvals	
ATEX	KEMA 99ATEX6312 , EN 60079-0: 2006, EN 60079-1: 2007, EN 60079-7 : 2003, EN 612 41-0: 2006, EN 612 41-1 : 2004
IECEX	IECEX KEM 10.0003, IEC 60079-0: 2004 (Ed4), IEC 60079-1: 2007 (Ed6), IEC 60079-7: 2001 (Ed3), IEC 612 41-0: 2004 (Ed1), IEC 612 41-1 : 2004 (Ed1)
GOST-R	PO CC G B.JB05.B03365
VdS	G 2 06011
CPD	0786-CPD-2 02 25
Safety integrity sustainability	SIL1
INMETRO	10-IEx-0009
MED (Marine Equipment Directive)	19 702 - 11 HH

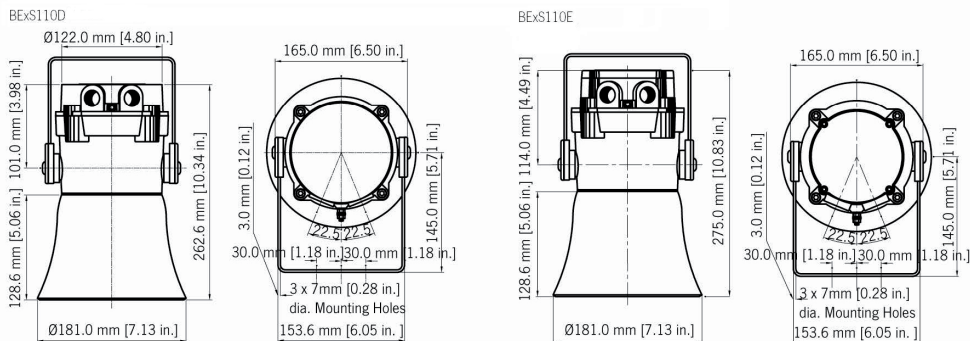
Part codes

Part code	Classification
BExS110D	ATEX / IECEx: II 2 G Ex d IIB T4 Ta. -50°C to +70°C II 2 G Ex d IIC T4 Ta. -50°C to +55°C
	GOST-R: 1ExdIICT4 Ta. -50° to +55°C
BExS110E	ATEX / IECEx: II 2 G Ex de IIB T4 Ta. -50°C to +70°C II 2 G Ex de IIC T5 Ta. -50°C to +55°C
	GOST-R: 2 ExdeIICT4 Ta. -50° to +55°C

Current consumption

Version		Voltage	Current
12V DC		+/- 25 %	195mA
24V DC		+/- 25 %	65mA
48V DC		+/- 25 %	130mA
115V AC	50/60Hz	+10/-10 %	110mA
230V AC	50/60Hz	+10/-10 %	56mA

Dimension drawing



Tone table

S1	Description	S2	S3
T1	Continuous 1000Hz Toxic Gas Alarm	T31	T11
T2	Alternating 800/1000Hz at 0.2 5s intervals	T17	T5
T3	Slow Whoop 500/12 00Hz at 0.3Hz with 0.5s gap ...	T2	T5
T4	Sweeping 800/1000 at 1Hz	T6	T5
T5	Continuous at 2 400Hz	T3	T27
T6	Sweeping 2 400/2 900Hz at 7Hz	T7	T5
T7	Sweeping 2 400/2 900Hz at 1Hz	T10	T5
T8	Siren 500/12 00/500Hz at 0.3Hz	T2	T5
T9	Sawtooth 12 00/500Hz at 1Hz	T15	T2
T10	Alternating 2 400/2 900Hz at 2 Hz	T7	T5
T11	Intermittent 1000Hz at 0.5Hz General alarm	T31	T1
T12	Alternating 800/1000Hz at 0.875Hz	T4	T5
T13	Intermittent 2 400Hz at 1Hz	T15	T5
T14	Intermittent 800Hz 0.2 5s on 1s off	T4	T5
T15	Continuous at 800Hz	T2	T5
T16	Intermittent 660Hz 150mS on, 150mS off	T18	T5
T17	Alternating 544Hz (100mS)/440Hz(400mS)	T2	T27
T18	Intermittent 660Hz 1.8s on, 1.8s off	T2	T5
T19	1400Hz to 1600Hz sweep up over 1s -1600Hz to ...	T2	T5
T20	Continuous 660Hz	T2	T5
T21	Alternating 554/440Hz at 1Hz	T2	T5
T22	Intermittent 554Hz at 0.875Hz	T2	T5
T23	800Hz pulsing at 2 Hz	T6	T5
T24	Sweeping 800/1000Hz at 50Hz	T29	T5
T25	Sweeping 2 400/2 900Hz at 50Hz	T29	T5
T26	Simulated bell sound	T2	T1
T27	Continuous 554Hz	T26	T5
T28	Continuous 440Hz	T2	T5
T29	Sweeping 800/1000Hz at 7Hz	T7	T5
T30	42 0Hz repeating 0.62 5s on, 0.62 5s off Austral...	T32	T5
T31	12 00/500Hz at 1 Hz Prepare to Abandon Platform	T11	T1
T32	Sweeping 500/12 00Hz 3.75s on, 0.2 5s off 15Hz	T26	T1