

## Features

- Accommodates up to a maximum of 12 modules, of which maximum six can be loop-driver modules
- Addressable electronic sounders can be connected directly on the detector loop
- Capable of surface or flush mounting and for rack mounting in standard 19" cabinets
- Designed to meet EN-54 requirements, and conforms to CE standards
- Complies to environmental conditions of IEC-721-3-3 class 3k5
- Indicators for fault and power

## Applications

The Controller, BC-320, serves as a connection unit for the detector loop, alarm sounders, controls and inputs.

The panel can accommodate up to a maximum of 12 modules. The system offers a *Loop-Driver Module* for detector loops and several types of *I/O modules* for monitored outputs, open-collector outputs, galvanic isolated inputs and monitored inputs. There can be a maximum of six loop-driver modules in each panel. All modules are easily plugged onto each other on a standard mounting rail inside the unit.

The Controller communicates with other system units on the local operating network, AUTROLON.

It has a 230V AC/3A power module for operation and battery charging, and can accommodate a 24V/12 Ah battery.

## Capacity

- There can be a maximum of 32 panels in a LON-ring (EN-54). A demand for more than 32 panels requires several LON-rings
- Each unit can be equipped with a maximum of 12 modules, of which maximum six can be loop-driver modules
- 127 detectors, manual call-points and I/O units can be connected to each detector loop. Of these, maximum 100 can be detectors/manual call-points
- A maximum of 512 detectors and manual call-points can be connected to each controller



## Indicators

- Power (green)
- Fault (yellow)

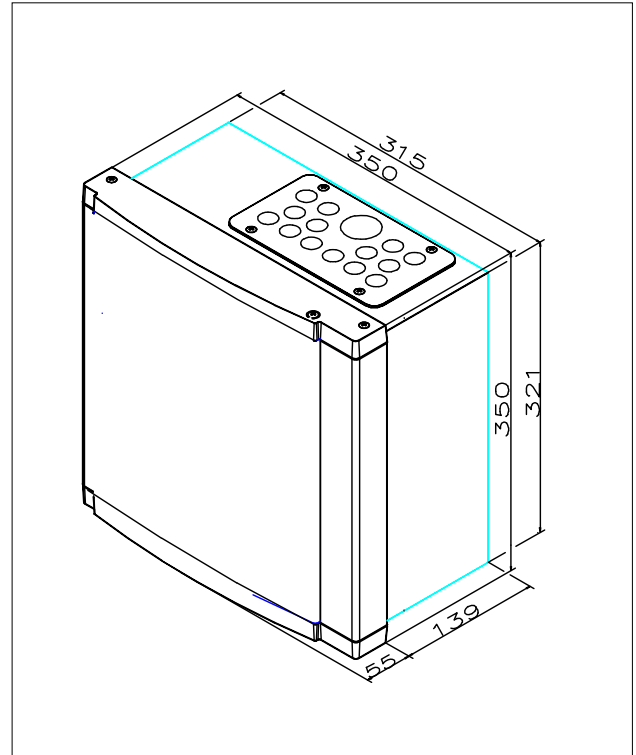
## Optional I/O Modules

- *Loop-Driver Module* (BSD-310/311). For connection of detector loops. One detector loop can be connected to each module. A maximum of 127 loop units (detectors, manual call-points, I/O-units and/or electronic sounders) can be connected to each detector loop
- *Output Module* (BSB-310), with 4 monitored outputs. For connection to fire alarm devices (FAD), such as sounders etc., and fire-protection equipment (FPE) such as fire doors, ventilation controllers or fire extinguishers. Also suitable for connection to fire alarm routing equipment (FARE), such as fire brigade equipment, and for connection to fault outputs (FWRE)
- *Output Module* (BSJ-310), with eight open collector non-monitored outputs. For connection of external LED-indication panel
- *Input Module* (BSE-310) with four monitored inputs
- *Input Module* (BSE-320), with eight non-monitored inputs (galvanically isolated)

### Technical Specifications

Dimensions (mm)	350x350x194
Cut-Out Dimensions (mm)	320x330x140
Weight	(Without I/O modules and batteries) 8,5 kg
Materials	Steel cabinet, ABS/PC-moulded front
Mounting	Surface or flush mounting
Protection class	IEC-529 / IP30
Operating Temperature	0°C to +55°C
Storage Temperature	-40°C to +70°C
Power supply	230VAC (160-265VAC) Frequency: 47-63Hz or 24V DC
Current consumption	130 mA at 27V DC (when no I/O modules are connected)
Capacity – Loop-Driver Modules and I/O Modules	Maximum 12 modules (a combination of BSD-310, BSB-310, BSE-310/320 and BSJ-310)
Capacity – Loop-Driver Module	Maximum six BSD-310/ 311. The maximum number of detectors and manual call-points that can be connected to these six modules is 512 (refer to EN-54). Maximum 127 detectors/manual call-points/electronic sounders/ I/O units on each detector loop
Batteries	2 x 12V = 24V not included
Detector connection	By use of BSD-310/BSD-311
Inputs	By use of BSE-310 and BSE-320
Outputs	By use of BSB-310 and BSJ-310
Communication	AutroLON AutroCom/Ethernet AutroCom/Serial Port

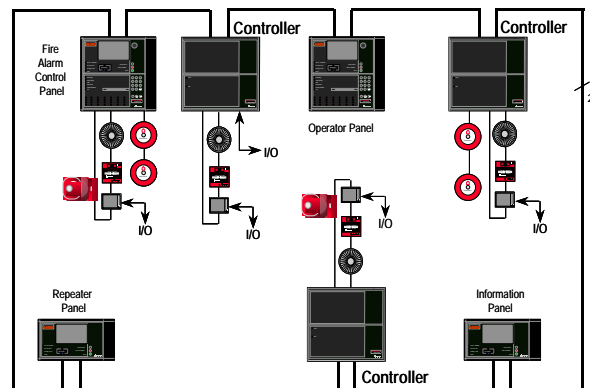
### Dimensions



### Order Numbers

Order number	Description
BC-320/GB200	Without I/O modules and battery (maximum seven I/O modules)
BC-320/GB101	One piece BSD-310, one piece BSB-310, with space for battery
BC-320/GB202	Two pieces BSD-310, one piece BSB-310, with no space for battery
BC-320/GB203	Four pieces BSD-310, one piece BSB-310, with no space for battery
Options:	
BSD-310/311	Loop-Driver Module
BSB-310	Output Module with four monitored outputs
BSJ-310	Output Module with eight open collector outputs Non-monitored
BSE-310	Input Module (Four monitored inputs)
BSE-320	Input Module (Eight non-monitored, galvanically isolated inputs)
Options:	AutroCom/Ethernet or Serial Port
Options:	Language

### System Overview



### Autronica Fire and Security AS

Fire and Security, Trondheim, Norway. Phone: + 47 73 58 25 00, fax: + 47 73 58 25 01

Oil & Gas, Stavanger, Norway. Phone: + 47 51 84 09 00, fax: + 47 51 84 09 99

Maritime Sales, Spikkestad, Norway. Phone: + 47 31 29 55 00, fax: + 47 31 29 55 01

Visit Autronica Fire and Security's website: [www.autronicafire.com](http://www.autronicafire.com)