

# BBR-DKMH30/T+EN54, MUSIC HORN

AutroVoice  
Product Datasheet

## Features

- High sound quality
- Weather proof, protection grade IP66
- Complies to EN 54-24:2008

## Description

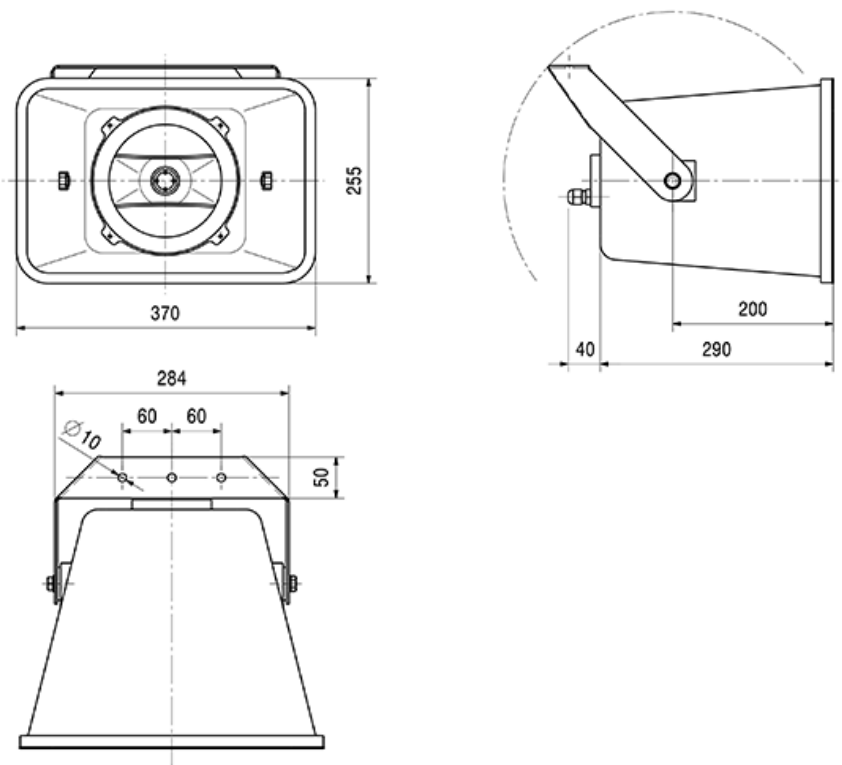
The 30W powered 2-way speaker is equipped with a 100V line transformer with 4 power adjustments. The impact-resistant ABS housing in RAL 7035 guarantees long-term stability. For additional reliability, a ceramic block and a thermal fuse is provided.

The speaker is also secured with the high protection class IP 66 against the security risks of environmental influences. The speaker is compliant with the British Standard BS 5839, Part 8.

Mounting by means of a standard mounting bracket.



## Dimensions



Product Name	Part number	Description
BBR-DKMH30/T+EN54	116-BBR-DKMH30/T+EN54	Music Horn

Technical specifications	
Power	30/15/7,5/3,75 W
Impedance (100V)	333/667/1333/2667 Ohm
Frequency Range	237 - 21.100 Hz
Frequency Response	65 - 24.000 Hz
SPL 1W/1m, peak	101,8 dB
SPL , 1W/4m, peak	89,8 dB
SPL Pmax/4m, peak	104,5 dB
Sensitivity EN54-24, 1W/4m	86,1 dB
Sensitivity IEC 268-5, 1W/1m	98,1 dB
Dispersion -6dB, 500Hz	190° (h), 205° (v)
Dispersion -6dB, 1KHz	70 °(h), 90° (v)
Dispersion -6dB, 2KHz	85° (h), 90° (v)
Dispersion -6dB, 4KHz	80° (h), 110° (v)
Dimensions	370x255x290 mm
IP Rating	IP66
Weight (net)	4,9kg
Temperature range	-20 / +90 °C
Mounting	Mounting bracket
Connector	Ceramic block
Maximum cable cross section	8mm <sup>2</sup>
Colour	RAL 7035