

# CEILING SPEAKER BBR-ABT-S206B

AutoVoice  
Product Datasheet

## Features

- Full compliance with EN 54-24 Standard
- Certificate of Conformity: 1438-CPR-0605
- Compliance with BS5839-8 standard (Thermal protection)
- The highest level of speech intelligibility
- Elegant looks
- 6 W transformer allowing a precise selection of loudspeaker output power
- 100% protection of line from breaks and short-circuits

## Product overview

Ceiling mounted fire alarm BBR-ABT-S206B loudspeaker is designed for operations at high acoustic levels and the highest reduction in power supply. Actual wide band high efficiency ensures the best understanding of verbal messages. Its parameters have been carefully selected to comply with suspended ceiling applications, both at standard and considerably elevated ceiling-to-floor distance.

Thanks to the most advanced technologies BBR-ABT-S206B loudspeaker combines excellent acoustic parameters and high aesthetics with resistance to mechanical damages. It is distinguished by easy and quick installation.

Quality standards and audio characteristics have been confirmed through tests and trials in an anechoic chamber, resistance and integrity testing equipment, as well as chambers for resistance to weather and air humidity testing.

The BBR-ABT-S206B loudspeaker ensure a balanced sound which is extremely important in emission of highly understandable speech.

The BBR-ABT-S206B loudspeaker is noticeable thanks to its elegant looks. The loudspeaker part which becomes visible after the installation is covered by a common and aesthetic white paint coat (RAL 9003) – optionally available other colours (RAL palette).



BBR-ABT-S206B is equipped with a standardized fire dome made of soft steel and supplied with two cable penetrations with rubber glands. Special jig for sling assembling facilitates quick installation. Ceramic blocks and fireproof wiring coupled with temperature limit fuse are located inside fire dome.

The individual power rating is selected by means of connection with applicable transformer branch.

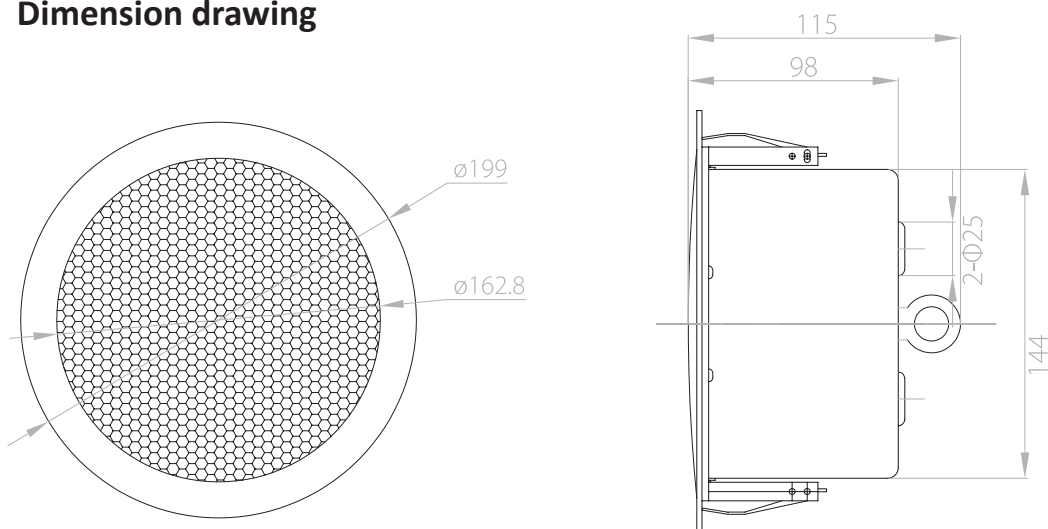
BBR-ABT-S series loudspeakers equipped with fire dome and thermal protections entirely comply with EN 54-24 Standards. In order to ensure 100% consistency with the highest quality standards we test our loudspeakers following the most meticulous procedures that warrant high parameters of sound emission, safety and reliability.

In spite of the fact our loudspeaker is designed for the highest reliability under fire conditions, their acoustic parameters and attractive low prices make them successful in any and all public address systems.

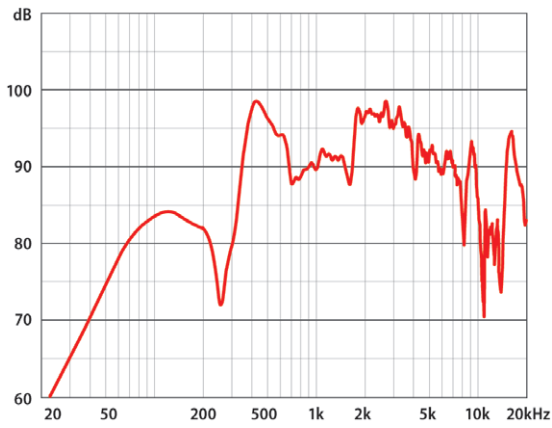
Product name	Part number	Description
BBR-ABT-S206B	116-BBR-ABT-S206B	CEILING SPEAKER 6 W $\phi$ 199

Technical Specification	
Rated power, W	6
Tappings 100 V line according to EN 54-24, W	6 / 3 / 1,5 / 0,75
Tappings 70 V line, W	3 / 1,5 / 0,75 / 0,37
Transformer impedance, $\Omega$	1667 / 3333 / 6667 / 13333
Driver impedance, $\Omega$	8
Effective frequency range, Hz	120 – 20 000
Sensitivity @ 4 m, 1 W, dB	81
SPL @ 4 m, Rated power, dB	88
SPL @ 1 m, 1 W, dB, Test signal bandwidth 300 Hz – 6 kHz	93
SPL @ 1 m, Rated power, dB, Test signal bandwidth 300 Hz – 6 kHz	101
Dispersion at 500 Hz / 1 kHz / 2 kHz / 4 kHz, [°]	180 / 180 / 95 / 70
Environmental type / IP Rating according to EN 54-24	A / IP21C
IP Rating	32C
Min / Max Amb Temp	-10°C / 55°C
Dimensions, mm	Height 115, $\phi$ 199
Net Weight, kg	1,13
Colour	White (RAL 9003)
Material	Steel
Mounting	Spring clamp
Cut-out, mm	$\phi$ 175
For DC line monitoring	Capacitor (BBR-ABT-S206BC)
Colour optional	RAL Palette
Ease Model	✓

## Dimension drawing



## Frequency band



## Circular chart of directional characteristic

