



Mounting Instructions

**Air Duct Sampling Unit BWP-143A/AG
For AutoGuard® Multicriteria Protectors**



COPYRIGHT ©

This publication, or parts thereof, may not be reproduced in any form, by any method, for any purpose.

Autronica Fire and Security AS and its subsidiaries assume no responsibility for any errors that may appear in the publication, or for damages arising from the information in it. No information in this publication should be regarded as a warranty made by Autronica Fire and Security AS. The information in this publication may be updated without notice.

Product names mentioned in this publication may be trademarks. They are used only for identification.

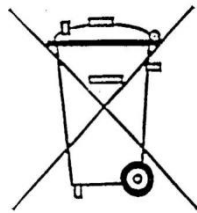


Table of Contents

1. Part Numbers	4
2. Overview	4
3. Mounting.....	5
3.1 Inserting the Pipes	5
3.2 Mounting the Protector Head onto the Base.....	7
4. Connections and Dimensions.....	8

1. Part Numbers

Part number	Description
116-BWP-143A/AG	Air duct sampling unit

Autronica delivers the following pipe kits in different lengths:

Part number	Description
116-BJ-358/100	Pipekit L=100
116-BJ-358/150	Pipekit L=150
116-BJ-358/300	Pipekit L=300
116-BJ-358/550	Pipekit L=550
116-BJ-358/800	Pipekit L=800

2. Overview

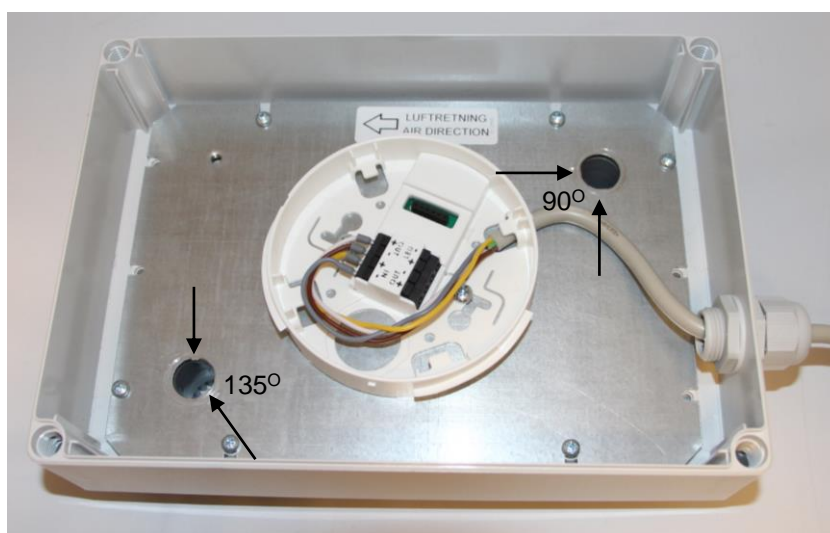
The picture below shows the bottom of the box with both pipes.



3. Mounting

3.1 Inserting the Pipes

- Unscrew and remove the top cover from the box



- Unscrew and remove the nuts (M16) on both pipes

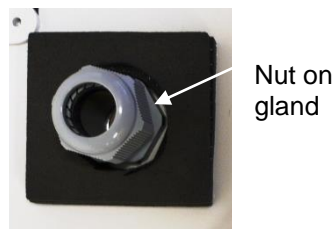


IMPORTANT

Note that the guiding slots on the threaded ends of the pipes match with the taps on the holes (both indicated by arrows on the drawing below). This ensures easy and correct fitment of the pipes.



- At the bottom of the box, loosen the nuts on both glands

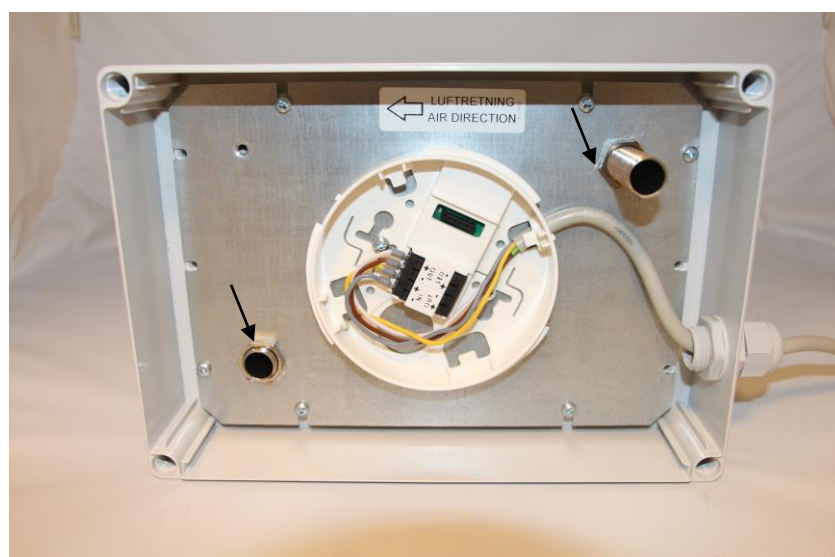


- Insert the longest pipe with the threaded end of the pipe pointing towards the box, through the gland into its position (see drawing below)
- Insert the shortest pipe with the threaded end of the pipe pointing towards the box, through the nipple into its position (see drawing below)
- Make sure that the pipes are fitted firmly and as far as possible against the mounting plate

Shortest pipe Longest pipe



- Turn the box around and make sure that each pipe is correctly and properly fitted
- Screw and fasten the nuts (M16) firmly onto each pipe with a 19 mm wrench



The picture above shows the pipes correctly inserted through the glands (viewed from inside of the box).

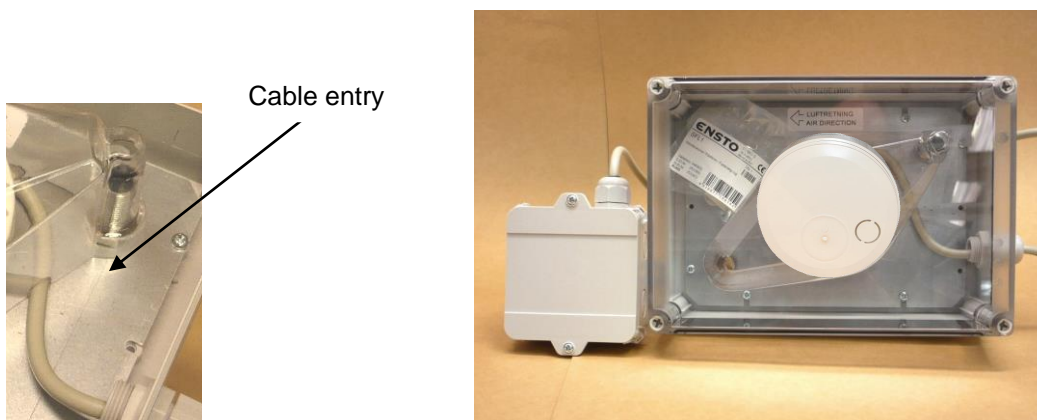
- Turn the box around again, then screw and properly tighten the nuts on both glands.

The illustration below shows the box after the pipes have been mounted.



3.2 Mounting the Protector Head onto the Base

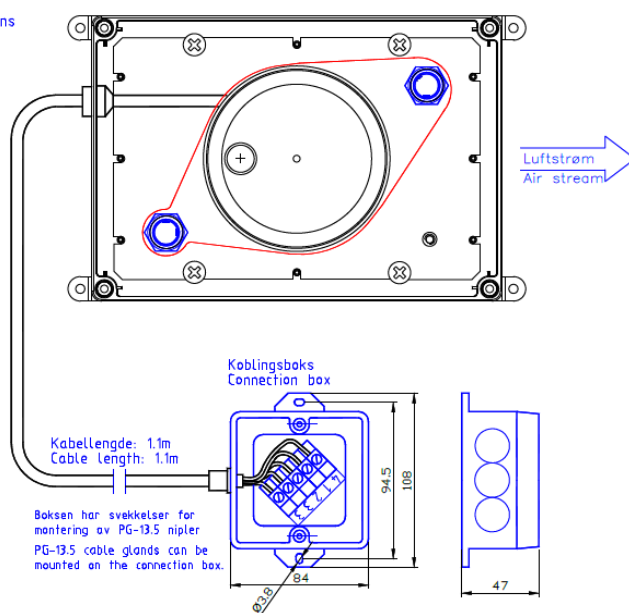
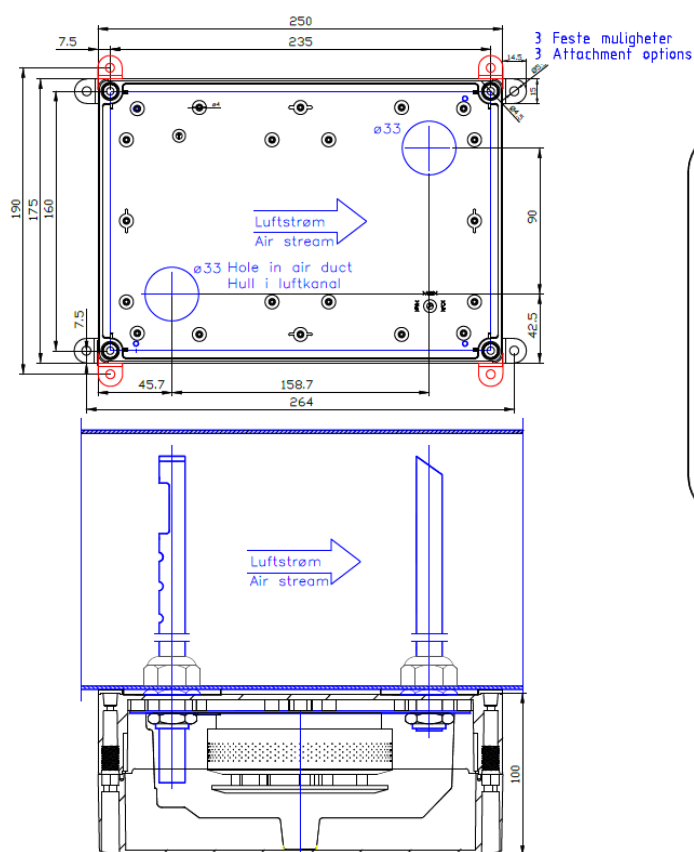
- Mount the protector head onto the base
- Mount the smoke chamber onto the protector (make sure that the cable runs into the small cable entry as shown)



- Fasten the top cover onto the box again, then fasten the screws

4. Connections and Dimensions

We recommend that the duct pipe goes $\frac{2}{3}$ of the width of the ventilation duct. Half the width of the ventilation duct is the absolute minimum.



Connections to interactive systems (Autoprime / AutoSafe):

- 1: In (-)
- 2: Out (-)
- 3: Common (+)
- 4: LED

