

HORN-TYPE LOUDSPEAKER BBR-ABT-T1410/ABT-T2015

AutoVoice
Product Datasheet

Features

- Compliance with EN 54-24
- Certificate of Conformity issued by CNBOP: 1438-CPR-0801
- Compliance with BS5839-8 standard (thermal protection)
- Directional characteristic of sound emission and the highest verbal communication understanding
- All the working environments – A, B and C
- Wall and ceiling installation
- Protection from dust and humidity: IP66 rating
- 100% line protection from short-circuit and break in fire conditions

Product overview

Horn-type fire alarm BBR-ABT-T1410/ABT-T2015 loudspeakers are designed for either simple or most complex and sophisticated sound-transmitting applications. They combine excellent acoustic parameters and high aesthetics with resistance to mechanical damages and varying weather conditions as well as simple assembling and low price. Quality standards and audio characteristics have been confirmed through tests and trials in an anechoic chamber, resistance and integrity testing equipment, as well as chambers for resistance to weather and air humidity testing.

ABT-T1410/T2015 comprise series comprises highly efficient loudspeakers which produce sounds featuring directional characteristics and operate in any atmospheric conditions (A, B, C environmental type). Thanks to their balanced frequency band they guarantee high understanding of verbal communication. Their casings are made of ABS, a synthetic material featuring high resistance to mechanical damages. Loudspeakers are perfectly protected from dust and humidity (IP66). The assembling jig ensures adjusting the inclination for the optimum coverage of the area of communications.

ABT-T1410/T2015 loudspeakers are applied on circulation routes and inside the rooms with high reverberation time as well as in widespread outdoor area broadcasting. They are perfect

BBR-ABT-T1410



ABT-T2015



for sport sites, at swimming pools, in expo and industrial halls, warehouses, open and underground car parks, and in open areas such as stadiums, parks, etc.

ABT-T loudspeakers entirely comply with global requirements. They have been certified for product compliance with EN 54-24 and acceptance by CNBOP. Ceramic blocks and thermal fuses protect the broadcasting line from short-circuits or breaks.

The individual rated power is selected by connection to the appropriate terminal of the ceramic terminal block. All the ABT-T loudspeakers are designed so as to ensure continuous operations at rated parameters for at least 100 hours (consistent with IEC-268-5 Standard). In spite of the fact our loudspeakers are designed for the highest reliability under fire conditions, they can be also used in any and all public address systems.



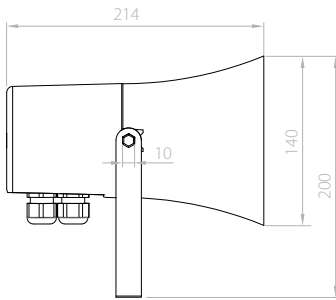
Technical specification

	BBR-ABT-T1410	ABT-T2015
Electrical		
Rated power, W	10	15
Tappings 100 V line according to EN 54-24, W	10 / 5 / 2,5 / 1,25	15 / 7,5 / 3,75 / 1,87
Tappings 70 V line, W	5 / 2,5 / 1,25 / 0,62	7,5 / 3,75 / 1,87 / 0,94
Transformer impedance @ 100 V, Ω	1000 / 2000 / 4000 / 8000	667 / 1330 / 2770 / 5330
Driver impedance, Ω	8	8
Effective frequency range, Hz	400-6300	400-8000
Sensitivity @ 4 m, 1 W, dB	81	87
SPL @ 4 m, rated power, dB	89	97
SPL @ 1 m, 1 W, dB, test signal bandwidth 300 Hz – 6 kHz	93	99
SPL @ 1 m, rated power, dB, test signal bandwidth 300 Hz – 6 kHz	101	109
Dispersion at 500 Hz / 1 kHz / 2 kHz / 4 kHz, [°]	360 / 355 / 97 / 54	360 / 132 / 68 / 33
Environmental		
Environmental type / IP rating according to EN 54-24	B / IP33C	
IP rating	66	
Min. / max. ambient temperature	-25 °C / 70 °C	
Mechanical		
Dimensions, mm	Length 214, \varnothing 140	Length 258, \varnothing 200
Net weight, kg	1,2	1,5
Colour	Light grey (RAL 7035)	
Material	ABS	
Mounting	Screw, U type bracket	
Option		
For DC line monitoring	Capacitor	
Ease Model	✓	

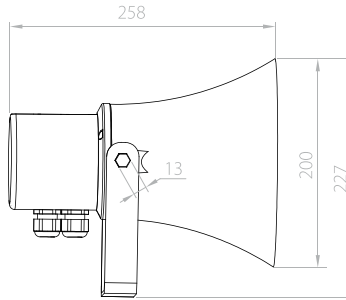
Product name	Part number	Description
BBR-ABT-T1410	116-BBR-ABT-T1410	Horn-type loudspeaker 14 cm, 10 W
ABT-T2015	116-ABT-T2015	Horn-type loudspeaker 20 cm, 15 W

Dimension drawings (mm)

BBR-ABT-T1410

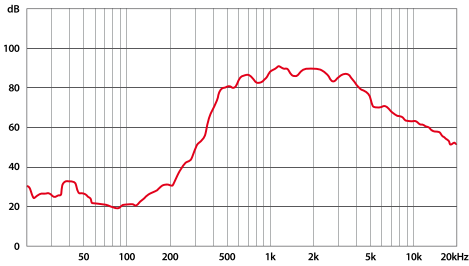


ABT-T2015

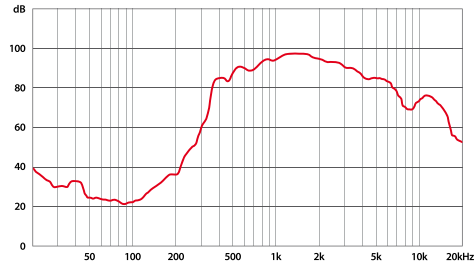


Frequency band

BBR-ABT-T1410

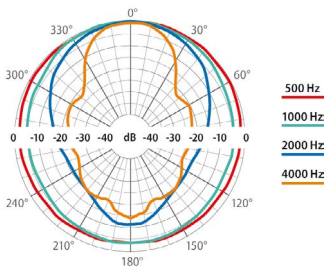


ABT-T2015



Circular chart of directional characteristic

BBR-ABT-T1410



ABT-T2015

