

116-700XXX Drencher Nozzle

Fire Suppression
Product datasheet

Features

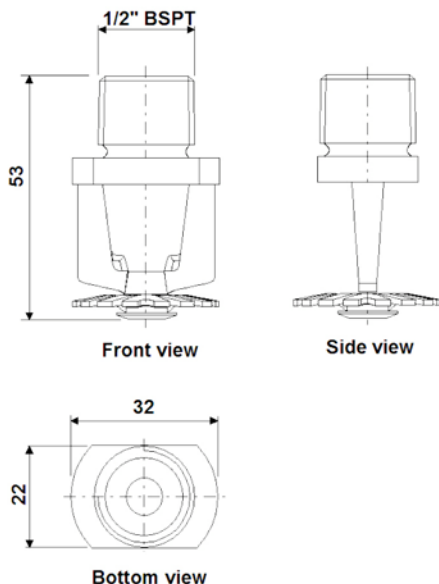
- Low pressure 0,8 – 12 Bar
- Can be used with galvanized and black steel pipes
- Simple and reliable construction
- Low weight
- Fresh and sea water applications
- Type approved in accordance with IMO Resolution A.123
- Chrome plated brass.
- 4 different k-factors available
- Standard ½" BSPT male
- 12 m² coverage
- 4 meter spacing maximum

Applications

Marine drencher nozzles are intended for use in 'special category spaces'. Special category spaces are those enclosed spaces above or below the bulkhead deck intended for the carriage of motor vehicles with fuel in their tanks for their own propulsion, into and from which such vehicles can be driven and to which passengers have access.

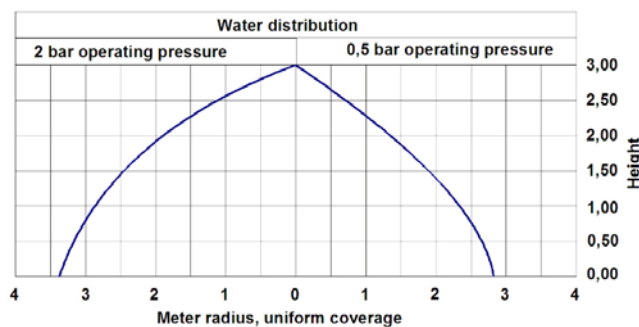


Dimensions



Part no.	Type	K-Factor	Orifice (mm)
116-700232	7	32	7,2
116-700241	8	41	8,2
116-700247	9	47	8,7
116-700262	10	62	9,9

Technical specifications	
Weight	0,64 Kg
Material nozzle	Naval brass
Finish	Chrome plated
Threads	½" BSPT male
Working pressure	0,8 – 12 Bar



116-700XXX Drencher nozzle/Rev A 2011.01.18

Protecting life, environment and property...



AUTRONICA FIRE AND SECURITY AS

Head office, Trondheim, NO-7483 Norway Tel: +47 73 58 25 00, fax: +47 73 58 25 01, e-mail: info@autronicafire.no

Oil and Gas division, Stavanger, Norway Tel: +47 51 84 09 00, fax: +47 51 84 09 99

Maritime division, Spikkestad, Norway Tel: +47 31 29 55 00, fax: +47 31 29 55 01

Visit Autronica Fire and Security AS' website: www.autronicafire.com