

# 116-170XXX Strainer SS 320 micron

Fire Suppression  
Product datasheet

## Features

- Stainless steel housing
- Stainless steel filter
- Filter 320 micron
- 16 bar pressure
- Flanged or threaded connection

## Description

Installed in water mist supply lines to avoid large foreign particles entering the system causing the nozzles to fail function.

## Applications

Local protection water mist  
Total flooding water mist  
Accommodation water mist



## Versions

Type	Dimension	Connection	Weight
116-170115	DN 15 (1/2")	1/2" BSP	1,1 Kg
116-170120	DN 20 (3/4")	3/4" BSP	1,3 Kg
116-170125	DN 25 (1")	1" BSP	1,8 Kg
116-170132	DN 32 (1 1/4")	1 1/4" BSP	3,4 Kg
116-170140	DN 40 (1 1/2")	1 1/2" BSP	5,2 Kg
116-170150	DN 50 (2")	2" BSP	9,8 Kg
116-170512	DN 32 (1 1/4")	DN 32 DIN PN 16	6,9 Kg
116-170515	DN 40 (1 1/2")	DN40 DIN PN 16	8,2 Kg
116-170520	DN 50 (2")	DN50 DIN PN 16	12,4 Kg
116-170525	DN 65 (2 1/2")	DN65 DIN PN 16	20,0 Kg
116-170530	DN 80 (3")	DN80 DIN PN 16	26,0 Kg
116-170540	DN 100 (4")	DN100 DIN PN 16	36,0 Kg

## Technical specifications

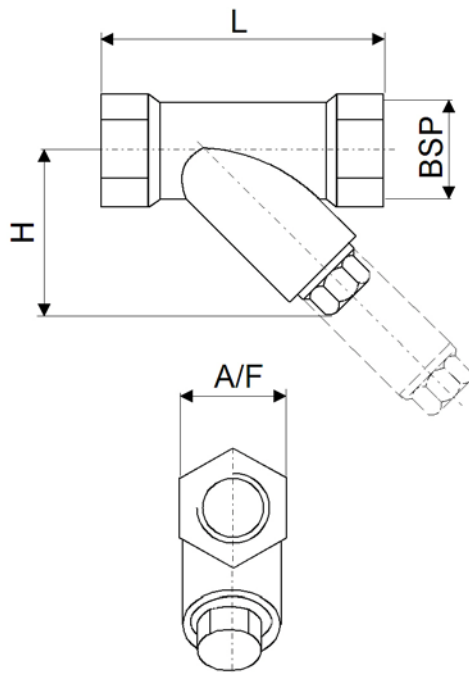
Weight	See above
Material housing	Stainless steel
Material strainer	Stainless steel
Finish	Natural
Operating pressure	16 Bar
Test pressure	24 Bar
Strainer	320 micron



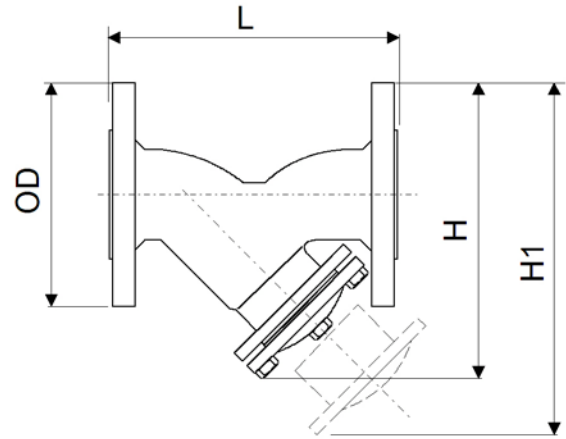
## AUTRONICA FIRE AND SECURITY AS

Head office, Trondheim, NO-7483 Norway Tel: +47 73 58 25 00, fax: +47 73 58 25 01, e-mail: info@autronicafire.no  
Oil and Gas division, Stavanger, Norway Tel: +47 51 84 09 00, fax: +47 51 84 09 99  
Maritime division, Spikkestad, Norway Tel: +47 31 29 55 00, fax: +47 31 29 55 01

Dimension, BSP Female connection



Dimension Flanged connection



Part no.	H mm	L mm	A/F mm	BSP
116-170115	46	65	26	1/2"
116-170120	55	80	32	3/4"
116-170125	70	90	41	1"
116-170132	73	105	220	1 1/4"
116-170140	81	120	56	1 1/2"
116-170150	94	140	69	2"

Part no.	H mm	H1 mm	L mm	OD mm
116-170512	130	190	180	140
116-170515	150	225	200	150
116-170520	165	240	230	165
116-170525	200	295	290	185
116-170530	225	325	310	200
116-170540	265	345	350	220

AUTRONICA FIRE AND SECURITY AS

Head office, Trondheim, NO-7483 Norway Tel: +47 73 58 25 00, fax: +47 73 58 25 01, e-mail: info@autronicafire.no  
 Oil and Gas division, Stavanger, Norway Tel: +47 51 84 09 00, fax: +47 51 84 09 99  
 Maritime division, Spikkestad, Norway Tel: +47 31 29 55 00, fax: +47 31 29 55 01