

REMOTE INDICATOR - BU-47

Fire detection systems
Product Datasheet

Features

- Slim-line design
- Wide operating voltage
- Low current
- Can be used in EX zone 2, T6

Description / Application

The versatility of this compact unit allows it to be used with the majority of detectors to provide convenient remote indication.

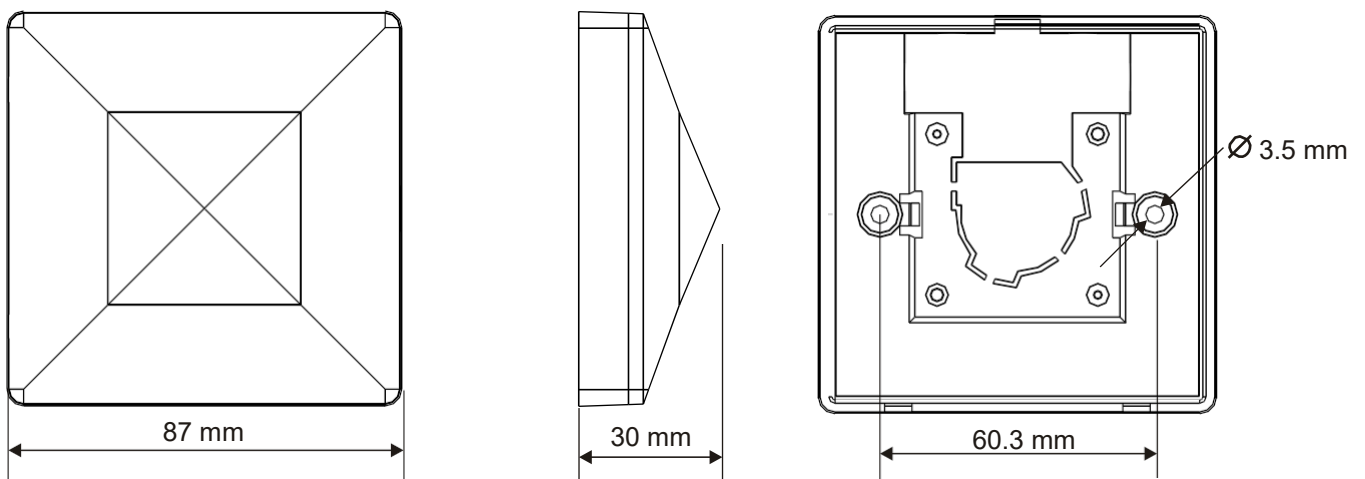
Available as a simple high brightness LED, this indicator has many uses in applications where aesthetics are a consideration.



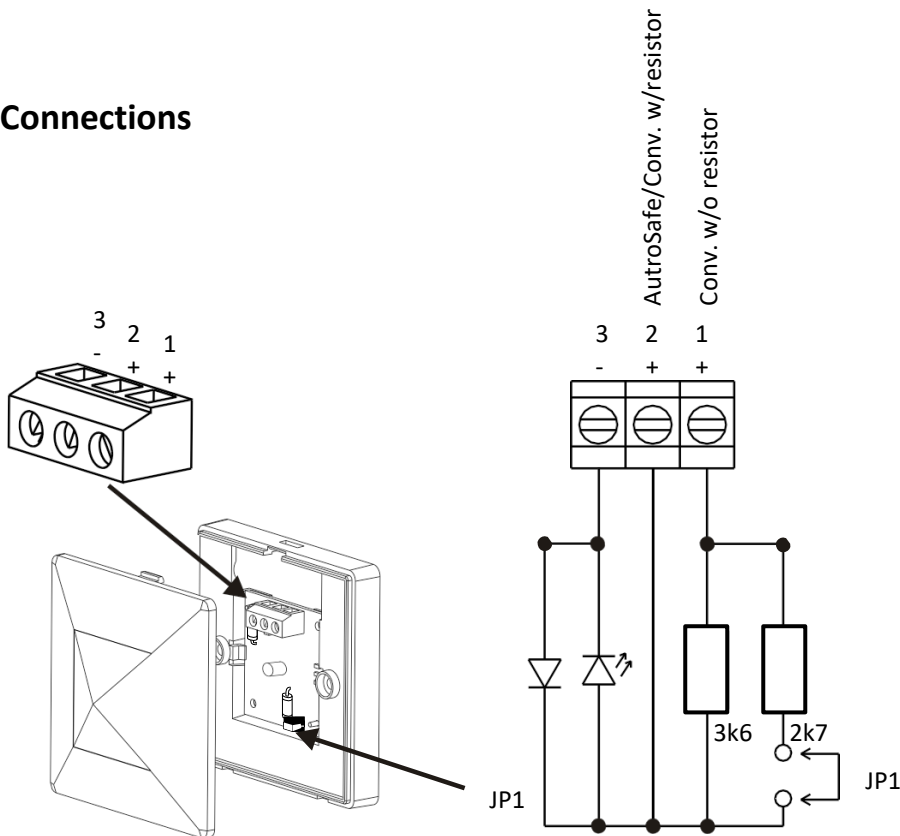
Product Name	Part number	Description
BU-47	116-BU-47	Remote Indicator, Red Lens

Technical specifications	
Voltage	3 – 20 VDC 5 – 30 VDC (user selectable)
Weight	80 g
Housing material	ABS
Color	White
Color lens	Red
Current	Max. 6mA Can be used with AutoGuard and AutoSafe detectors (5mA)
Temperature	- 20°C to + 60°C
Resistor	0 / 1k5 / 3k6 (user selectable)
Protection	IP23
Approvals	www.autronicafire.com

Dimensions



Connections



When controlled from detectors with built in current limiter (applies for BS-100 systems, AutroSafe/Autroprime and conventional heat detectors BD-2X/T):

Positive terminal in detector connects to terminal 2 on BU-47.

Control output in detector connects to terminal 3 on BU-47.

When controlled by other conventional detectors without current limiting (applies for older conventional BV and BX systems):

Positive terminal in detector connects to terminal 1 on BU-47.

Control output in detector connects to terminal 3 on BU-47.

JP1 normally open.

Note: If connected to 24 V supply, e.g. bell output, use terminals 1 and 3 to have current limitation.