

Disable input unit with timer input - BW-201

AutroSafe interactive fire detection system
Product datasheet

Features

- Disables detection zone(s)
- An external timer controls the disablement time
- Monitored input for external timer
- Output for parallel indicator
- LED indicator
- Built in short circuit isolator
- Addressable
- Loop powered

Description

BW-201 is a disable unit connected to the detector loop. An external timer controls the disablement time for the detection zones.

A steady light in the LED indicator on the front indicates that the disablement function is initiated from the external timer.

The unit has one (1) monitored input for an external timer, and one (1) output for parallel indication/control. The output requires separate 24V supply.

A maximum of two units can be powered from the detector loop. To connect more than two units to the loop, external 24V DC power is required.

The unit has a built in short circuit isolator. In the event of a short circuit, the short circuit location will be isolated.

The unit has been designed for use with Autronica's interactive fire detection system, AutoSafe.

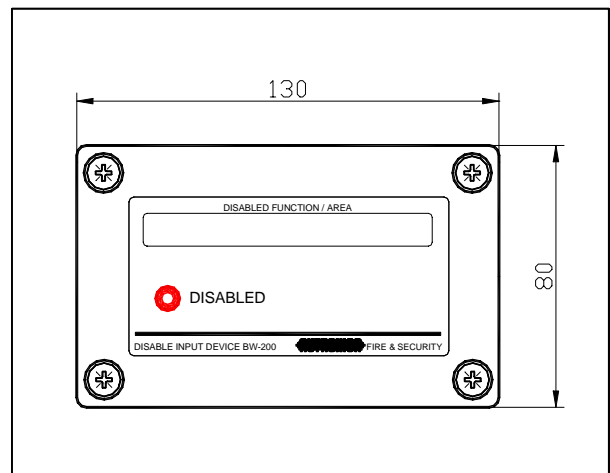


Technical specifications

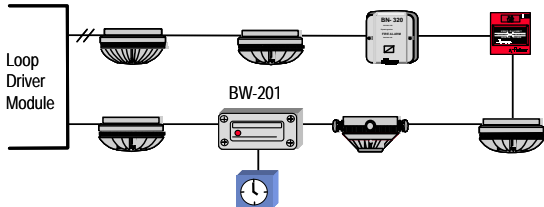
Weight	250 g
Material	Polycarbonate
Colour	Light grey
Input function	External contact, N.O.
Max. capacitance on input	40 nF
Output	24V (separate supply)
Voltage, Al_Com (detector loop)	16 - 26 VDC
Current consumption: Stand-by	0,3mA
Environmental requirements	EN 54-5/EN 54-7
Degree of protection:	IP66
Working temperature	- 20 - + 70°C
Humidity (non condensing)	Max. 95% RH
Maintenance	None
Service	Replace if faulty
Approvals	See website

Part number	Description
116-BW-201	Disable input unit

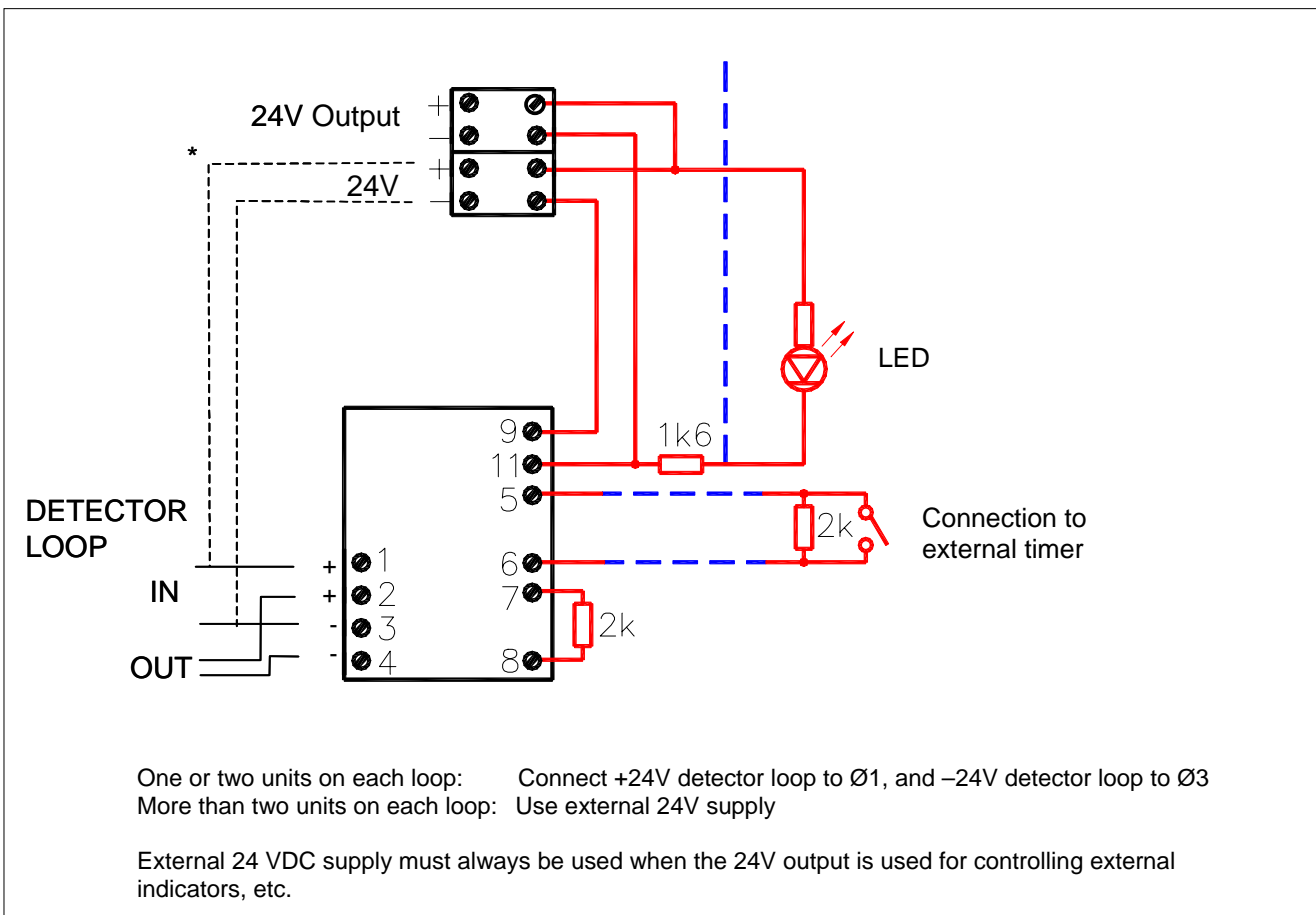
Dimensions (mm)



Installation overview



Connections



AUTRONICA FIRE AND SECURITY AS

Head office, NO-7483 Trondheim, Norway Tel: +47 73 58 25 00, fax: +47 73 58 25 01, e-mail: info@autronicafire.no
 Oil and Gas division, Stavanger, Norway Tel: +47 51 84 09 00, fax: +47 51 84 09 99
 Maritime division, Spikkestad, Norway Tel: +47 31 29 55 00, fax: +47 31 29 55 01

Visit Autronica Fire and Security AS' website: www.autronicafire.com