

Disable input unit with pushbuttons - BW-200

Interactive fire detection systems
Product datasheet

Features

- Interactive
- Disables detection zone(s)
- Configurable disablement time
- Two buttons for disablement/enablement
- One output: 24V for indication
- LED indicator
- Built in short circuit isolator
- Addressable unit
- Loop powered

Description

BW-200 is a disable unit connected to the detector loop, to disable one or a number of detection zones. The disablement time is configurable from the system configuration (configuration tool).

A “disablement” button activates disablement of zones, and a steady light in the LED indicator indicates the disablement. The light starts to flash five minutes before the disablement time expires. To enable zones during disablement, before the disablement time automatically expires, for example, the “restore” button is used.

BW-200 has one (1) output for parallel indication/control. The output requires separate 24V supply.

The unit has a built in short circuit isolator. In the event of a short circuit, the short circuit location will be isolated.

BW-200 is designed for use with Autronica's interactive fire detection systems.

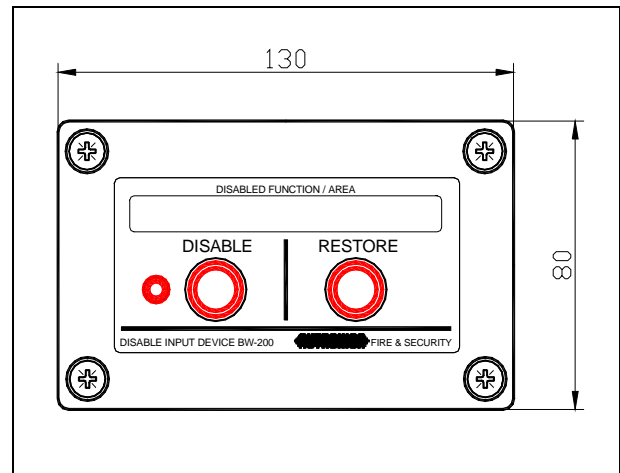


Technical specifications	
Weight	250 g
Material	Polycarbonate
Colour	Light grey
Input function	Buttons
Output	24V for external indication
Voltage AI_Com (detector loop)	16-26 VDC
Current consumption: Stand-by	0,3 mA
Environmental requirements	EN 54-5/EN 54-7
Degree of protection	IP66
Working temperature	- 20 - + 70°C
Humidity (non-condensing)	Max. 95% RH
Maintenance	None
Service	Replace if faulty
Approvals	See website

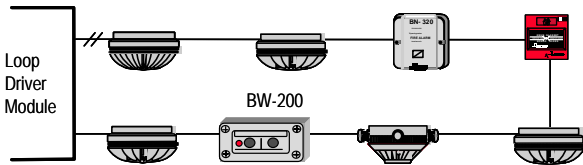


Part number	Description
116-BW-200	Disable input unit with pushbuttons

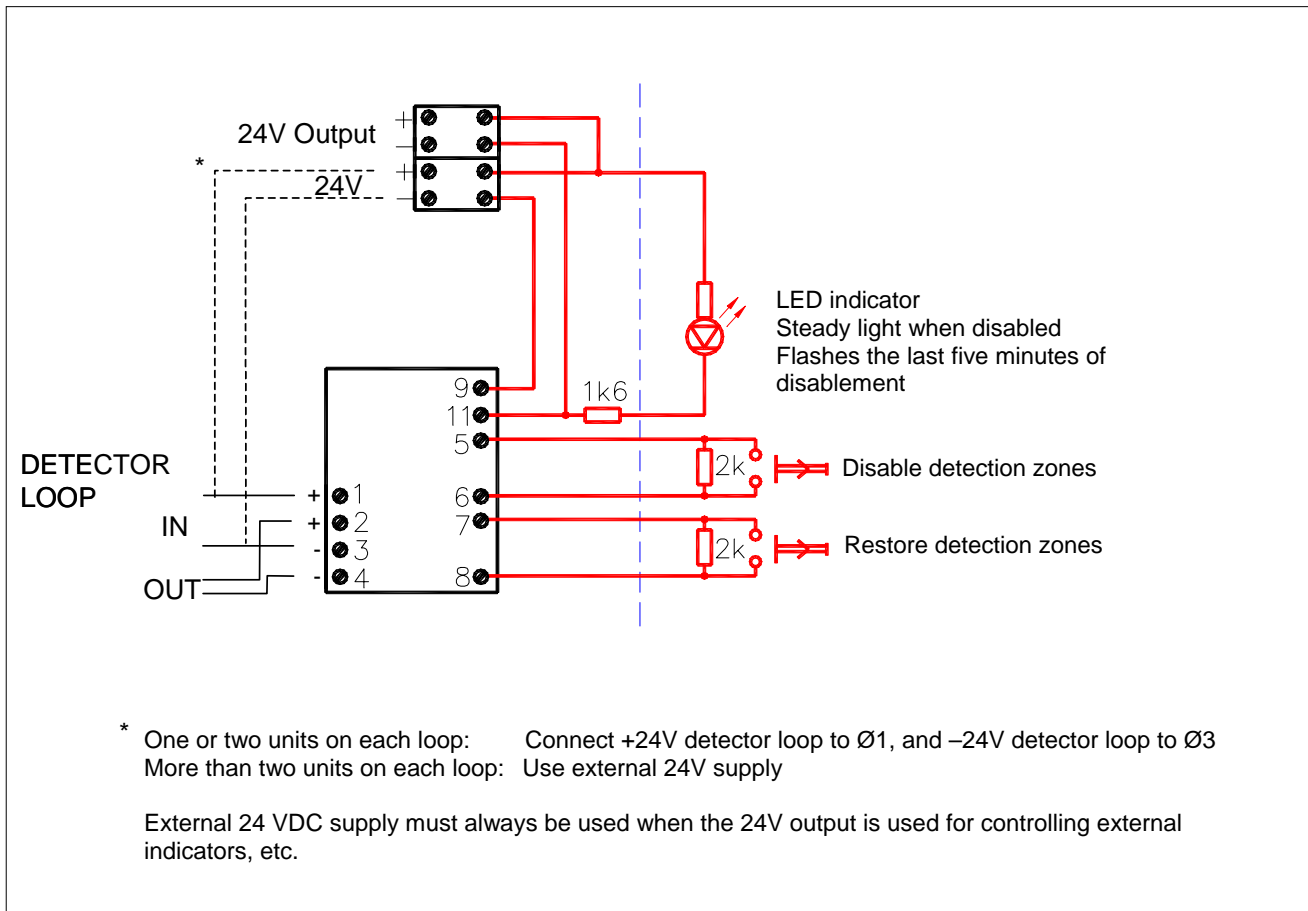
Dimensions (mm)



Installation overview



Connections



AUTRONICA FIRE AND SECURITY AS

Head office, NO-7483 Trondheim, Norway Tel: +47 73 58 25 00, fax: +47 73 58 25 01, e-mail: info@autronicafire.no
 Oil and Gas division, Stavanger, Norway Tel: +47 51 84 09 00, fax: +47 51 84 09 99
 Maritime division, Spikkestad, Norway Tel: +47 31 29 55 00, fax: +47 31 29 55 01

Visit Autronica Fire and Security AS' website: www.autronicafire.com