

Remote alarm control unit - BU-200

AutroSafe interactive fire detection system
Produktdatablad

Features

- Allows remote / local alarm handling from predefined areas
- Reduces the number of unnecessary alarms (sounders, bells etc.) in environments where quietness is desirable (e.g. hospitals)
- Connected to the detection loop
- Built in short circuit isolator
- Addressable

Applications

The remote alarm control unit BU-200 is designed for use with the AutroSafe interactive fire detection system.

The remote alarm control unit is used for remote / local alarm handling from predefined areas / zones. The main purpose of the unit is to facilitate alarm handling without disturbance of people and unnecessary calls to rescue services, e.g. the fire brigade.

The unit can send acknowledgement and reset to the fire alarm control panel (BS-310/320) or operator panel (BS-330). These panels can control one or several units.

The remote alarm control unit is connected to the detection loop. Each loop unit can be connected to one operation zone. An operation zone can have one or more units, but requires separate 24 VDC power.

The maximum number of units used in a detection loop is 4. To use the unit, all detection zones connected to the operation zone must be set to Delayed action.

The unit has a built in short circuit isolator. In the event of a short circuit, the short circuit location will be isolated.

Buttons

The unit has two buttons:

- An Acknowledge button which acknowledges an alarm. (To use the button, an alarm message must be received).
- A Reset button which resets an acknowledged alarm. (To use the button, the alarm must first be acknowledged). Note that this reset does not affect faults in the system.



LED indicators

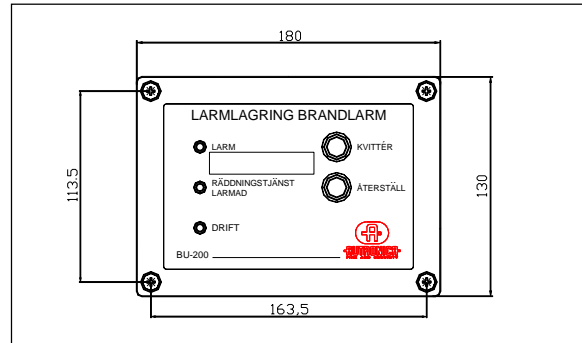
- Red LED indicating alarm state. Blinking light when alarm is received. Steady light when alarm is confirmed.
- Red LED indicating that fire brigade is signalled. Steady light indicating alarm is not confirmed within pre-programmed time delay period.
- Green LED indicating active alarm delay period.

Technical specifications

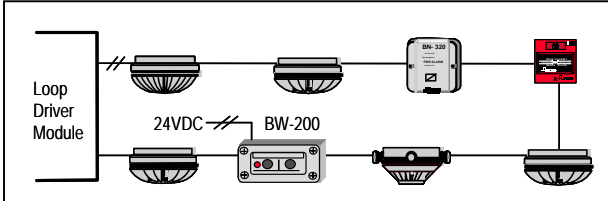
Dimensions HxWxD	113,5x180x62
Weight	450 g
Material	Polycarbonate
Colour	Light grey
Loop voltage (ACom)	10 - 27 VDC
Current consumption: Detection loop stand by	0,3mA
Environm. requirements	EN 54-5/EN 54-7
Degree of protection: PG-inlets (PG-13,5)	IP66
Working temperature	- 20 - + 70°C
Humidity (non condensing)	Max. 95% RH
Maintenance	None
Service	Replace if faulty
Approvals	See website
Supply voltage	20 - 28 VDC
Supply current (24 VDC)	25 - 50 mA

Part number	Description
116-BU-200	Remote alarm control unit

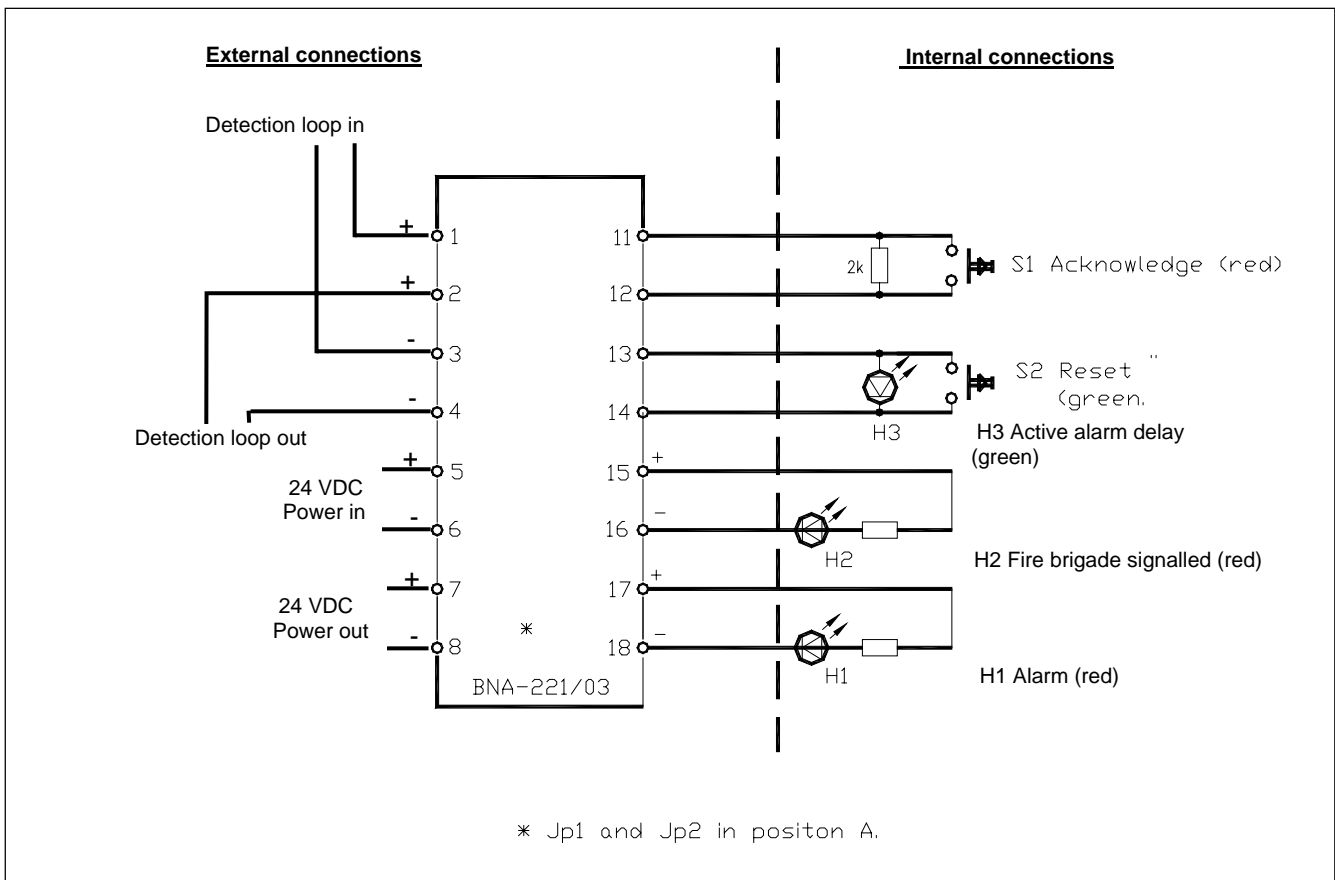
Dimensions (mm)



Installation overview



Connections



AUTRONICA FIRE AND SECURITY AS

Head office, Trondheim, Norway Tel: +47 73 58 25 00, fax: +47 73 58 25 01, e-mail: info@autronicafire.no
 Oil and Gas division, Stavanger, Norway Tel: +47 51 84 09 00, fax: +47 51 84 09 99
 Maritime division, Spikkestad, Norway Tel: +47 31 29 55 00, fax: +47 31 29 55 01

Visit Autronica Fire and Security AS' website: www.autronicafire.com