

# OPTICAL SMOKE DETECTOR W/SELFVERIFY - BH-500/EX

## Interactive fire detection systems Product Datasheet

### Features

- Interactive
- Comprises the DYFI+ adaptive and self-learning functions
- With SelfVerify function for reduced maintenance/testing and increased reliability
- Selective to misleading environmental phenomena that in a traditional system would lead to an unwanted fire alarm
- Detection of visible smoke
- Built in thermistor for reading of temperature at the detector point
- Short circuit isolator in each detector
- Automatic addressing
- Proven technology
- Immune to electromagnetic disturbance
- Additional coating of PCB
- Designed to meet the requirement of the major maritime classification societies

### Description / Application

BH-500/EX is a point smoke detector for use in hazardous area zone 0, 1 or 2. It must be connected to the approved barrier BZ.500. The detector has a built in thermistor and is designed for use with Autronica's interactive fire detection systems, which can provide temperature information from the detector point. The SelfVerify function ensures the highest grade of reliability because all units comprising this function are automatically tested with a calibrated test once every 24 hours.

Additional coating of PCB combined with the adaptivity of BH-500/EX, is making this detector suitable for industrial, maritime, offshore and other «rough area» applications.

#### Related Drawing

No modifications permitted  
without reference to  
Ex Responsible



### Principle

Photoelectric, operating on the light scatter principle.

SelfVerify: the detector's ability to initiate alarm at correct amount of smoke is regularly checked.

### Versions

- BH-200\* Smoke detector standard
- BH-300\* Smoke detector with SelfVerify
- BH-500\* Smoke detector with SelfVerify, environmentally protected
- BH-500/S\* High-sensitive smoke detector (not acc. to EN 54)
- BH-500/EX Smoke detector with SelfVerify, Ex ia-version for use in zone 0, 1 and 2
- BH-500/S/EX\* Smoke detector with SelfVerify, Ex ia-version for use in zone 0, 1 and 2, with extra high sensitivity
- BH-500/N\* Smoke detector with SelfVerify, Ex ic version for use in zone 2
- BH-500/S/N\* High-sensitive version (not acc. to EN 54)

\* See separate datasheet.

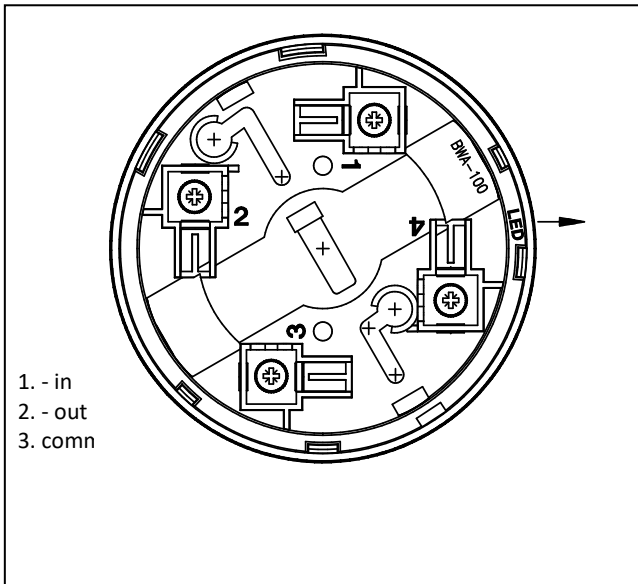
Technical specifications	
Weight	150 g
Material	Polycarbonate / ABS
Colour	White
Sensitivity	See Table 1
Voltage	10 - 27 VDC
Current consumption stand by:	< 0,3 mA
Environm. requirement	EN 54-7
Degree of protection	IP44D
Working temperature	- 20 - + 70 °C
Storage temperature	- 55 - + 70 °C
Humidity (non condensing)	Max. 95 % RH
Maintenance	None
Service	Replace if faulty
CPD certificate	1134-CPD-016
Certificates	See website
Notified body	Nemko ID No. 0470 CSA
Type examination certificate	NEMKO 03ATEX218X IECEx NEM 11.0009X
Directives, standards and Ex parameters	Refer to Doc-1003606 (Schedule drawing: "Control Drawing/User Manual/Technical Specifications and Instructions") where this information is listed. A link to this document is included on the product page for this product at <a href="http://www.product.autronicafire.com">www.product.autronicafire.com</a> .
Approvals	<a href="http://www.autronicafire.com">www.autronicafire.com</a>

Product Name	Part number	Description
BWA-100	116-BWA-100	Socket (base)
BHH-500/EX	116-BHH-500/EX	Detector head
BWP-100/20	116-BWP-100/20	Optional conduit box for M20 glands
BWP-100/25	116-BWP-100/25	Optional conduit box for M25 glands

**Table 1 - Performance classes**

Performance class	Typical application
Clean	Computer rooms
Normal 1	Offices
Normal 2	Restaurants
Industry	Workshops

## Connections



## Dimension Drawing (mm)

