

# Optical smoke detector - BH-26

Conventional fire detection systems  
Product datasheet

## Features

- Different sensitivity settings possible
- Comprises the *AFI, transient filter*
- Monitoring of optical path and electric circuit
- Comprises a built-in alarm indicator (LED)
- Conforms to EMC directive
- Proven technology
- Immune to electromagnetic disturbance
- Designed to meet the requirement of the major maritime classification societies

## Applications

BH-26 is a point smoke detector for detection of combustion gases mainly consisting of visible particles. The detector is designed for use with Autronica's conventional fire alarm system.

BH-26 is suitable for use in most applications where visible smoke can be expected during a fire, such as;

- Bedrooms
- Restaurants
- Offices
- Corridors
- Electrical rooms
- Production areas, etc.

## Principle

Photoelectric, operating on the light scatter principle.

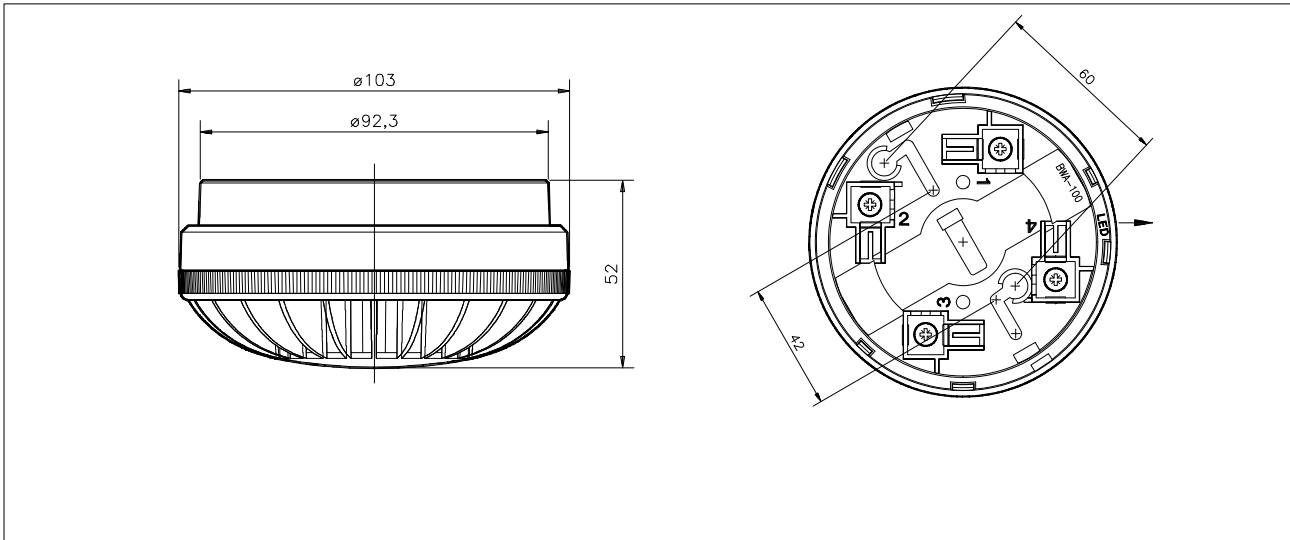
## Versions

BH-26 Standard version

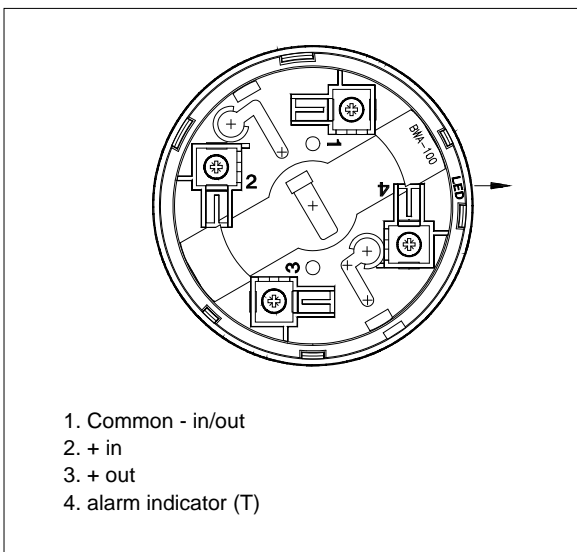


| Technical specifications  |                        |
|---------------------------|------------------------|
| Weight                    | 150 g                  |
| Materials                 | Polycarbonate Macrolon |
| Colour                    | Light grey             |
| Sensitivity               | Acc. to EN 54-7        |
| Voltage                   | 12 – 16 VDC            |
| Current consumption       | 0,2 mA                 |
| Stand by:                 | > 35 mA                |
| Alarm:                    |                        |
| Environm. requirement     | EN 54-7                |
| Degree of protection      | IP44D                  |
| Working temperature       | - 20 °C - + 70 °C      |
| Humidity (non-condensing) | Max. 95 % RH           |
| Maintenance               | None                   |
| Service                   | Replace if faulty      |
| CPD certificate           | 1134-CPD-013           |

**Dimensions**



**Connections**



| Part number    | Description                         |
|----------------|-------------------------------------|
| 116-BWA-100    | Socket (Base)                       |
| 116-BHH-26     | Detector head                       |
| 116-BWP-100/20 | Optional Conduit box for M20 GLANDS |
| 116-BWP-100/25 | Optional Conduit box for M25 GLANDS |

**AUTRONICA FIRE AND SECURITY AS**

Head office, Trondheim, NO-7483 Norway Tel: +47 73 58 25 00, fax: +47 73 58 25 01, e-mail: info@autronicafire.no  
 Oil and Gas division, Stavanger, Norway Tel: +47 51 84 09 00, fax: +47 51 84 09 99  
 Maritime division, Spikkestad, Norway Tel: +47 31 29 55 00, fax: +47 31 29 55 01

Visit Autronica Fire and Security AS' website: [www.autronicafire.com](http://www.autronicafire.com)