

MANUAL CALL POINT WITH SELFVERIFY BF-503/N

Interactive fire detection systems Product Datasheet

Technical specifications and instructions

Features

- Pushbutton unit for use in harsh environmental conditions
- Weather proof
- Corrosion resistant GRP
- Protection degree IP66 and IP67
- Short circuit isolator in each unit
- Automatic addressing
- Proven technology
- With SelfVerify function for reduced maintenance/testing and increased reliability
- Designed to meet the requirement of the major maritime classification societies

Description / Application

BF-503/N has been designed for use with Autronica's interactive fire detection systems, and comprises the SelfVerify function. This function ensures the highest grade of reliability and the lowest degree of manual testing, because all units comprising this function are automatically self-tested once every 24 hours.

The high IP degree and mechanical strength of the enclosure makes the call point suitable for outdoor applications in industrial, maritime and offshore installations.

The call point is for use in hazardous area zone 2. It must be connected to a loop driver approved for zone 2.

The call point must be installed according to local regulations, which normally means along escape routes, landings and exits.

Principle

Lift flap and push the alarm button.
Reset by means of reset key.

SelfVerify: the call point's ability to initiate alarms is regularly checked.

Schedule Drawing


No modifications permitted
without reference to the
Notified Body



Versions

- BF-503/EX/0100* Manual call point with SelfVerify. Ex ia version for use in zone 0, 1 and 2
- BF-503/EX/0200* CO2 release station with SelfVerify. Ex ia version for use in zone 0, 1 and 2
- BF-503/EX/0300* Release station with SelfVerify. Ex ia version for use in zone 0, 1 and 2
- BF-503/EX/0400* Release station with SelfVerify. Ex ia version for use in zone 0, 1 and 2
- BF-503/EX/0500* Release station with SelfVerify. Ex ia version for use in zone 0, 1 and 2
- BF-503/N/0100 Manual call point with SelfVerify. Ex ic version for use in zone 2.
- BF-503/N/0200 CO2 release station with SelfVerify. Ex ic version for use in zone 2.
- BF-503/N/0300 Release station with SelfVerify. Ex ic version for use in zone 2.
- BF-503/N/0400 Release station with SelfVerify. Ex ic version for use in zone 2.
- BF-503/N/0500 Release station with SelfVerify. Ex ic version for use in zone 2.

* See separate datasheet

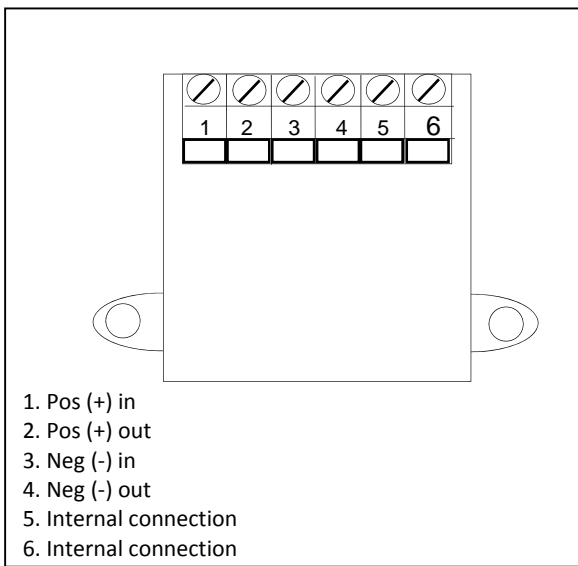
Technical specifications	
Weight	1,2 kg
Material	Glass reinforced polyester
Colour	See description below
Voltage	10 - 27 VDC
Current consumption, Stand by:	0,3 mA
Environm. requirement	EN 54
Degree of protection	IP66* and IP67*
Working temperature	-20 - +70 °C
Storage temperature	-55 - +70 °C
Cable inlets	2 x M20
Maintenance	None
Service	Replace if faulty
Certificate	See website
Notified body	Nemko ID No. 0470 CSA
Type examination certificate	NEMKO 03ATEX217X IECEX NEM 11.0017X
Directives and standards	<p>2014/34/EU (ATEX) EN 60079-0:2012 EN 60079-11:2012 IEC 60079-0:2011 IEC 60079-11:2011 2014/30/EU (EMC) Immunity: EN50130-4:2011 Emission: EN61000-6-3:2001</p> <p>CAN/CSA-C22.2 No. 0-10 CAN/CSA-C22.2 No. 205-12 CAN/CSA-60079-0-11 CAN/CSA-60079-1-11 CAN/CSA-60079-11-11 CAN/CSA-C22.2 No. 60529-05</p> <p>UL 464, 9th Edition UL 60079-0, 5th Edition UL 60079-1, 6th Edition UL 60079-11, 5th Edition</p> <p>ANSI/IEC 60529:2004 ANSI/ISA-60079-26: 2011</p>
Ex parameters	<p> II 3G Ex ic IIB T4 Gc Class I, Zone 2, AEx ic IIB T4 Gc</p> <p>Warning: Do not rub.</p>

*requires approved cable glands and/or plugs of minimum the same IP level.

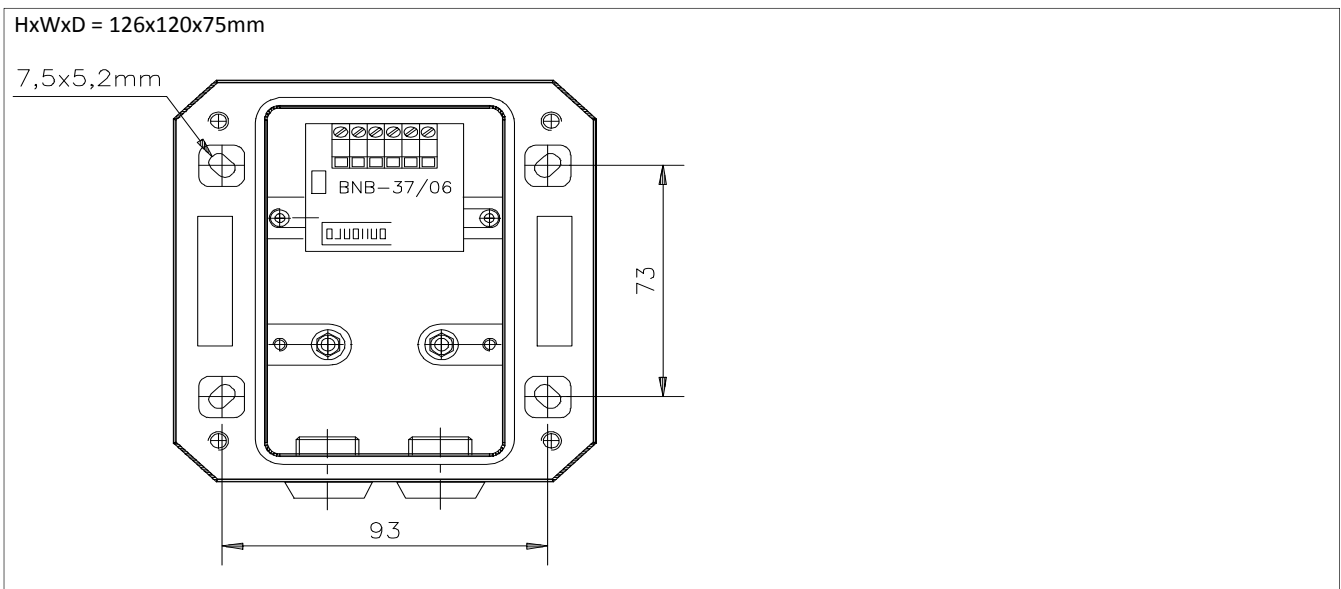
Product name	Part number	Description
BF-503/N/0100	116-BF-503/N/0100	Manual call point, red
BF-503/N/0200	116-BF-503/N/0200	CO ₂ release station, yellow
BF-503/N/0300	116-KIT-BF-503/N/0300	Release station, yellow*
BF-503/N/0400	116-KIT-BF-503/N/0400	Release station, green*
BF-503/N/0500	116-KIT-BF-503/N/0500	Release station, blue*

* The release stations must have a duty label attached, specifying function. Please see product catalogue for variants.

Connections



Dimensions



Control drawing

