

# Manual call point with SelfVerify - BF-503

Interactive fire detection systems  
Product datasheet

## Features

- Manual call point for use in harsh environment
- Weatherproof
- Corrosion resistant GRP
- Protection degree IP66 and IP67
- Short circuit isolator in each unit
- Automatic addressing
- Proven technology
- With SelfVerify function for reduced maintenance/testing and increased reliability
- Designed to meet the requirements of the major maritime classification societies

## Applications

BF-503 is a manual call point for use in harsh environment.

The call point is also used as release station for different extinguishant. It has been designed for use with Autronica's interactive fire detection systems, and comprises the SelfVerify function. This function ensures the highest grade of reliability and the lowest degree of manual testing, because all units comprising this function are automatically self-tested once every 24 hours.

The high IP degree and mechanical strength of the enclosure makes the call point suitable for outdoor applications in industrial, maritime and offshore installations.

The call point must be installed according to local regulations, which normally means along escape routes, landings and exits.

## Principle

Lift flaps and push the alarm button.  
Reset by means of reset key.

SelfVerify: the call point's ability to initiate alarms is regularly checked.



## Versions

- |                   |  |
|-------------------|--|
| ■ BF-503/0100     | Manual call point with SelfVerify.   |
| ■ BF-503/0300     | Release station with SelfVerify.   |
| ■ BF-503/EX/0100* | Manual call point with SelfVerify.<br>EExia version for use in all zones               |
| ■ BF-503/EX/0200* | CO <sub>2</sub> release station with SelfVerify.<br>EExia version for use in all zones |
| ■ BF-503/EX/0300* | Release station with SelfVerify.<br>EExia version for use in all zones                 |
| ■ BF-503/EX/0400* | Release station with SelfVerify.<br>EExia version for use in all zones                 |
| ■ BF-503/EX/0500* | Release station with SelfVerify.<br>EExia version for use in zone 2                    |
| ■ BF-503/N/0100   | Manual call point with SelfVerify.<br>EExn version for use in zone 2                   |
| ■ BF-503/N/0200   | CO <sub>2</sub> release station with SelfVerify.<br>EExn version for use in zone 2     |
| ■ BF-503/N/0300   | Release station with SelfVerify.<br>EExn version for use in zone 2                     |
| ■ BF-503/N/0400   | Release station with SelfVerify.<br>EExn version for use in zone 2                     |
| ■ BF-503/N/0500   | Release station with SelfVerify.<br>EExn version for use in zone 2                     |

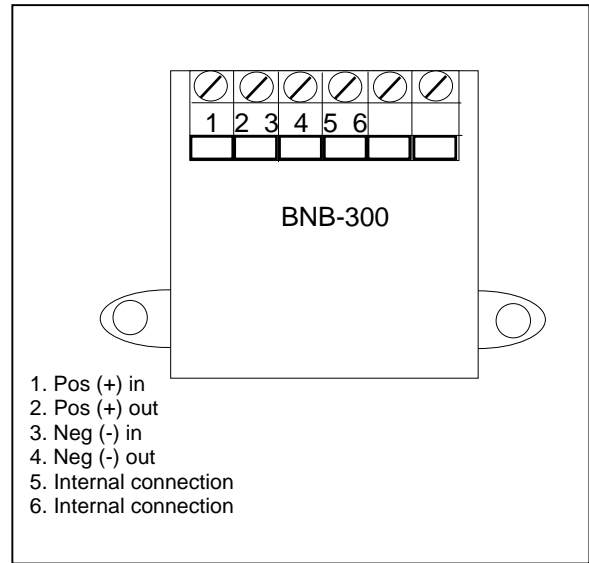
\*See separate datasheet

Technical specifications	
Weight	1,2 kg
Materials	Glass, reinforced polyester
Color	Red
Voltage	10 - 27 VDC
Current consumption standing:	0,3mA
Environment requirement	EN 54
Degree of protection	IP66 and IP67
Working temperature	- 20 - + 70°C
Cable inlets	2 x M20
Maintenance	None
Service	Replace if faulty
Approvals	See website

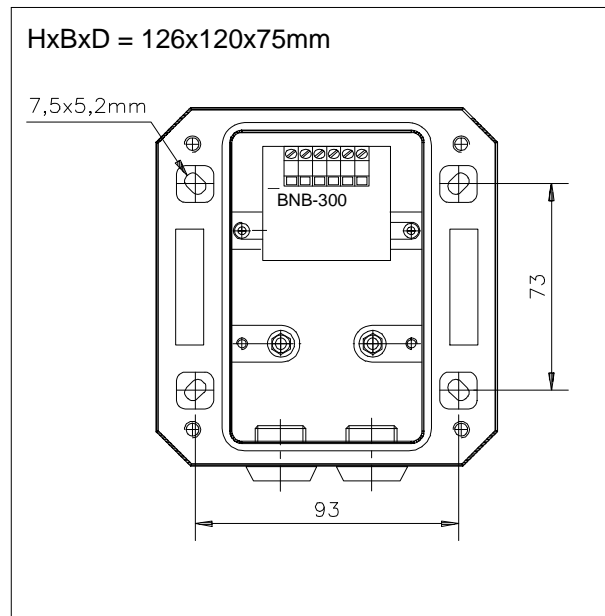
Part number	Description
116-BF-503/0100	Manual call point, red
116-BF-503/0300	Release station, yellow
116-KIT-BF-503/0100	Release station, red*
116-KIT-BF-503/0300	Release station, yellow*

\* Duty label according to E-2327

### Connections



### Dimensions



#### AUTRONICA FIRE AND SECURITY AS

Head office, NO-7483 Trondheim, Norway Tel: +47 73 58 25 00, fax: +47 73 58 25 01, e-mail: info@autronicafire.no  
 Oil and Gas division, Stavanger, Norway Tel: +47 51 84 09 00, fax: +47 51 84 09 99  
 Maritime division, Spikkestad, Norway Tel: +47 31 29 55 00, fax: +47 31 29 55 01

Visit Autronica Fire and Security AS' website: [www.autronicafire.com](http://www.autronicafire.com)