

MANUAL CALL POINT W/SELFVERIFY - BF-500V2/N

Interactive fire detection systems Product Datasheet

Features

- Addressable
- Max. 3 seconds response time
- Built in indicator (LED)
- Can be tested by means of a special test key
- With SelfVerify function for reduced maintenance/testing and increased reliability
- Short circuit isolator in each unit
- Automatic addressing
- Proven technology
- Designed to meet the requirement of the major maritime classification societies

Description / Application

BF-500V2/N is a manual call point designed for use with Autronica's interactive fire detection systems, and comprises the SelfVerify function. This function ensures the highest grade of reliability and the lowest degree of manual testing because all units comprising this function are automatically self-tested once every 24 hours.

The call point is for use in hazardous area zone 2. It must be connected to a loop driver approved for zone 2.

The call point must be installed according to local regulations, which normally means along escape routes, landings and exits.

Principle

- Press white plastic element. Resettable by means of dedicated test key.
- Optional: Break glass element. Resettable by mounting new glass element.

SelfVerify: the manual call point's ability to initiate alarms is regularly checked.

Related Drawing

No modifications permitted
without reference to Ex
Technical Responsible



Versions

- BF-300V2* Manual call point with SelfVerify
- BF-300M* Manual call point with SelfVerify, with metal mounting box and cable glands.
- BF-500V2/EX* Manual call point with SelfVerify. Ex ia version for use in zone 0, 1 and 2
- BF-500V2/N Manual call point with SelfVerify. Ex ic version for use in zone 2 only

* See separate datasheet

Installation

The back box is provided with three knockouts for M20 cable glands, two at the top and one at the bottom.

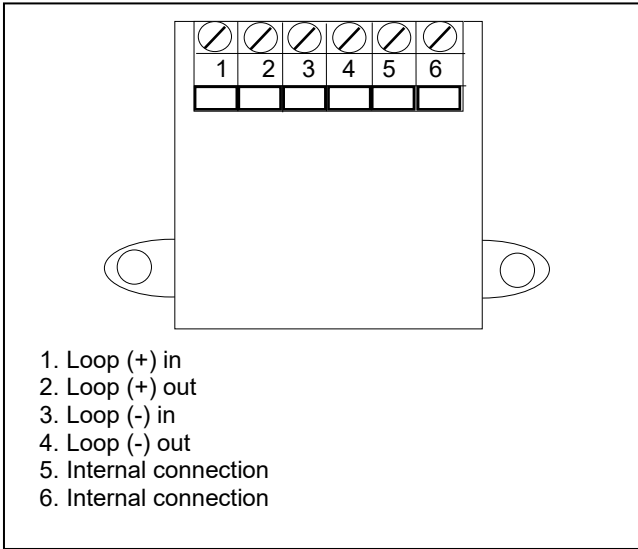
The recommended mounting of the backbox to the wall is by using the provided mounting ears, this will ensure the Ingress Protection. If holes are made in the back box, they need to be sealed to ensure that ingress protection is maintained.



| Product Name | Part number | Description |
|--------------|-------------------|---|
| BF-500V2/N | 116-BF-500V2/N | Manual call point certified for use in zone 2 |
| | 116-4860-011.0100 | Optional polycarbonate cover |

| Technical specifications | |
|-------------------------------|---|
| Weight | 185 g |
| Material | ABS |
| Colour | Red |
| Voltage | 10 - 27 VDC |
| Current consumption | |
| Stand by: | 0,3 mA |
| Alarm (LED): | 6 mA |
| EN54 certification | EN 54-11:2001/A1:2005 EN 54-17:2005/AC:2007 |
| Degree of protection | IP 65 |
| Working temperature | -30 - +50 °C |
| Storage temperature | -55 - +70 °C |
| Humidity (non-condensing) | Max. 95% RH |
| Service | Replace if faulty |
| Certificates | See website |
| Notified body | Nemko ID No. 0470 |
| Type examination certificates | NEMKO 03ATEX217X IECEX NEM 11.0017X |
| Directives and standards | Refer to Doc-1004552 (Schedule drawing: "Control Drawing/User Manual/Technical Specifications and Instructions") where this information is listed. A link to this document is included on the product page for this product at www.product.autronicafire.com . |
| Approvals | www.autronicafire.com |

Connections



Dimension Drawing

