

Manual call point with SelfVerify - BF-300M/EXE

Interactive fire detection systems
Product datasheet

Features

- Addressable
- Max. 3 second response time
- Comprises a built in indicator (LED)
- Can be tested by means of a special test key
- With SelfVerify function for reduced maintenance/testing and increased reliability
- Short circuit isolator in each call point
- Automatic addressing
- Proven technology
- RIME approved
- Designed to meet the requirement of the major maritime classification societies

Applications

BF-300M/EXE is a manual call point designed for use in hazardous area zone 1 or 2. The call point is designed for use with Autronica's interactive fire detection systems, and comprises the SelfVerify function. This function ensures the highest grade of reliability and the lowest degree of manual testing because all units comprising this function are automatically self-tested once every 24 hours.

BF-300M/EXE is delivered with a metal box fitted with two cable glands. This version is made for applications where a higher degree of weather protection is required.

The BF-300M/EXE manual call point is tested by RIME for increased safety "e" according to Japanese standards JIS F 8009-1998 and JIS C 0934-1993

Principle

Break glass operation, releasing alarm switch.
Reset when a new glass is mounted.

SelfVerify: the call point's ability to initiate alarms is regularly checked.



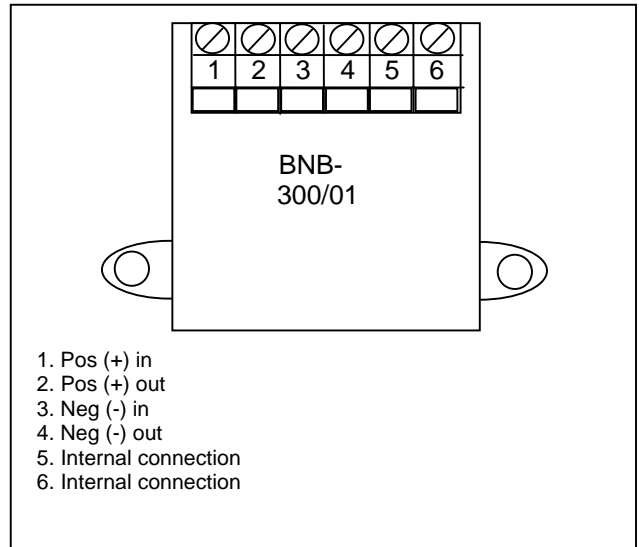
Technical specifications

Weight	108 g
Material	Thermo plastic
Material, M-version box	Silumin
Colour	Red
Voltage	10 - 27 VDC
Current consumption Stand by:	0,3mA
Environm. requirement	EN 54
Degree of protection, inner housing	IP44
Working temperature	- 30 - + 50°C
Humidity (non-condensing)	Max. 95% RH
Maintenance	Replace broken glass
Service	Replace if faulty
Cable wire	Maximum 2,5 mm ²
Certificates	DNV A-9211 NK 4EQ150N

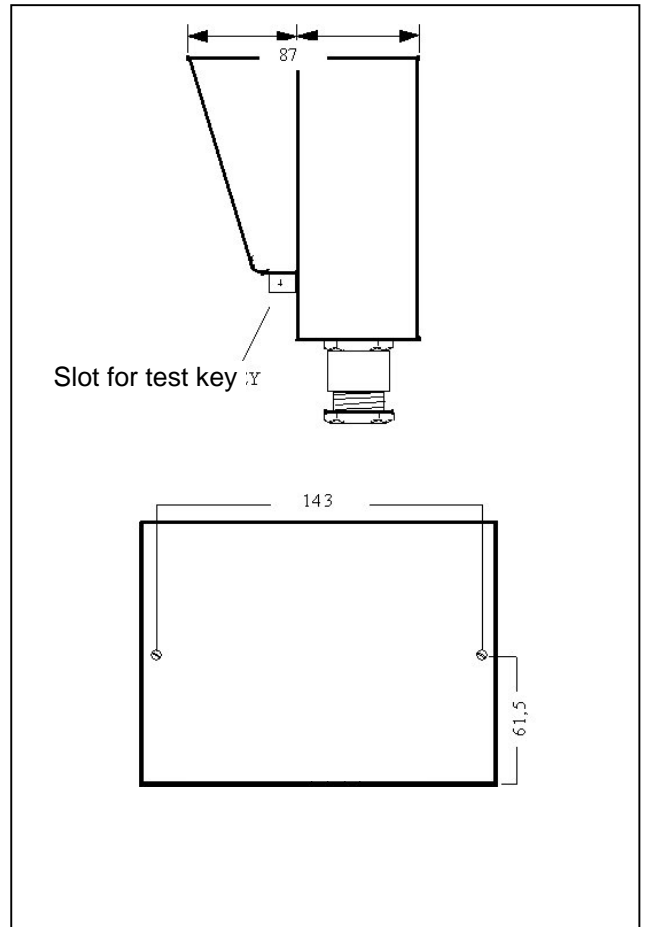
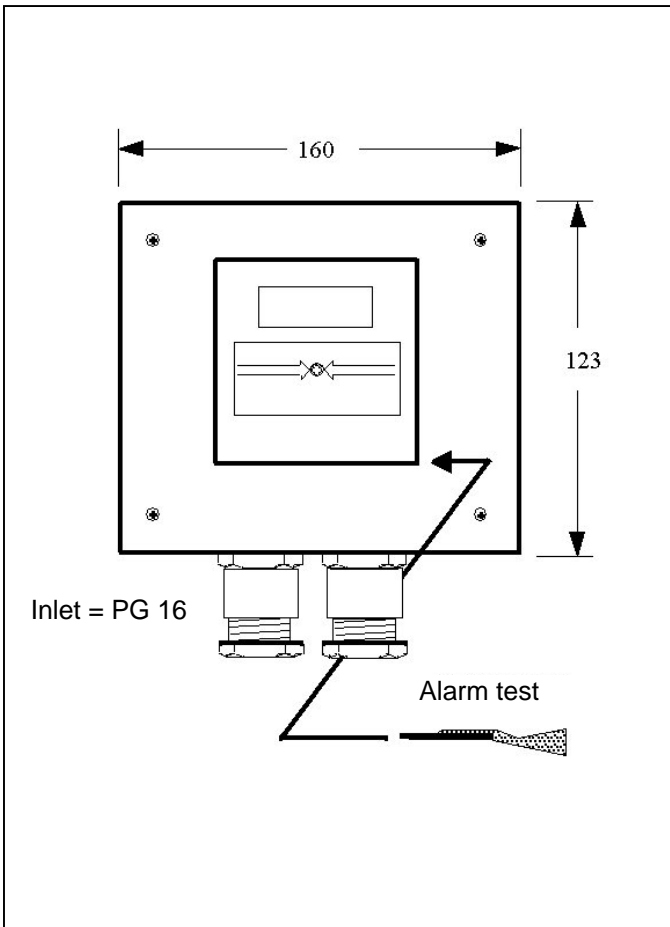


Part number	Description
116-BF-300M/EXE	BF-300 with metal mounting box, including two FG16 cable glands

Connections



Dimensions



AUTRONICA FIRE AND SECURITY AS

Head office, NO-7483 Trondheim, Norway Tel: +47 73 58 25 00, fax: +47 73 58 25 01, e-mail: info@autronicafire.no
 Oil and Gas division, Stavanger, Norway Tel: +47 51 84 09 00, fax: +47 51 84 09 99
 Maritime division, Spikkestad, Norway Tel: +47 31 29 55 00, fax: +47 31 29 55 01