

Ceiling speaker - BBR-DELFF 165/6 PP

Voice alarm system

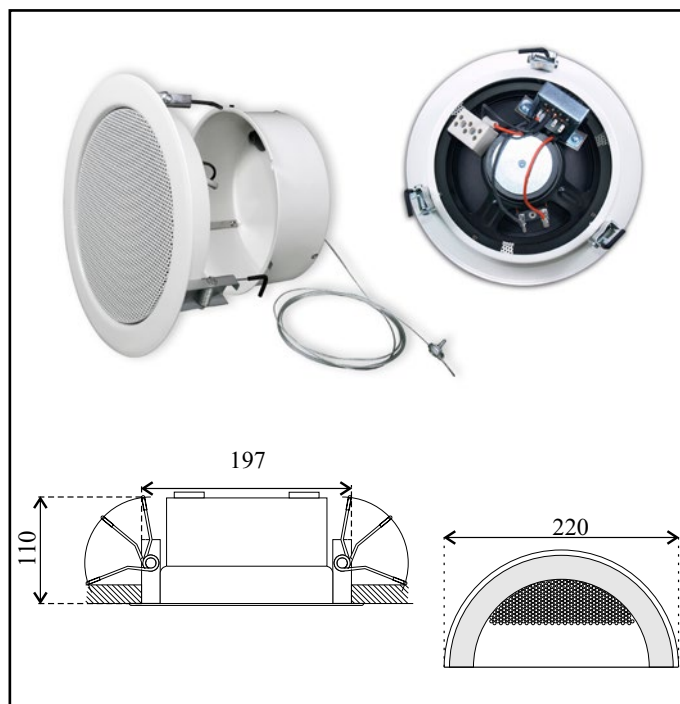
Product datasheet

Ceiling speaker

Classic ceiling speaker for voice alarm. Equipped with firedome, ceramic terminal block, thermal fuse and a temperature resistant cable, providing increased security in case of a fire.

BBR-DELFF 165/6 PP is approved according to EN 54-24:2008. With its classic design and its excellent acoustic characteristics, this speaker is ideally suited for a wide variety of applications.

The BBR-DELFF 165/6 PP, made of powder-coated metal with a 165 mm full range chassis, is specially designed for voice messages and background music reproduction in stores, schools and hotels. The exceptional spring mounting with cropped leg springs ensures rapid ceiling installation.



Technical specifications	
Certification	EN 54-24:2008
Loading rate	6 Watt
Chassis type	165 mm full range
Frequency range (-10 dB)	380 — 22 500 Hz
SPL 1 W / 1 m	100,7 dB
SPL Pmax / 1 m	110,7 dB
Radiation angle 1.000 Hz (-10 dB)	180°
Transformer	100 V, 6/3/1,5/(0,75) Watt
Dimensions	Ø220 x 110 mm installation depth
Cut out	Ø197 mm — Ø207 mm
Weight	1,7 kg
Material	Powder coated steel panel
Connection	3-pole ceramic clamp
Colour	RAL 9010 White

Part number	Description
116-BBR-DELFF 165/6 PP	CEIL SPEAK 6W DELFF 165/6 EN 54

AUTRONICA FIRE AND SECURITY AS

Head office, Trondheim, NO-7483 Norway Tel: +47 73 58 25 00, fax: +47 73 58 25 01, e-mail: info@autronicafire.no

Oil and Gas division, Stavanger, Norway Tel: +47 51 84 09 00, fax: +47 51 84 09 99

Maritime division, Spikkestad, Norway Tel: +47 31 29 55 00, fax: +47 31 29 55 01

Visit Autronica Fire and Security AS' website: www.autronicafire.com