

BBR-7M

Alarm bell
Product datasheet

Features

- Low current consumption
- High sound level
- No adjustment
- Waterproof design
- Simple installation

Applications

Alarm bell BBR-7M is a bell for outdoor installation or in areas that require waterproof enclosure. The bell has a sound output of 93 dBA at 1 metre.

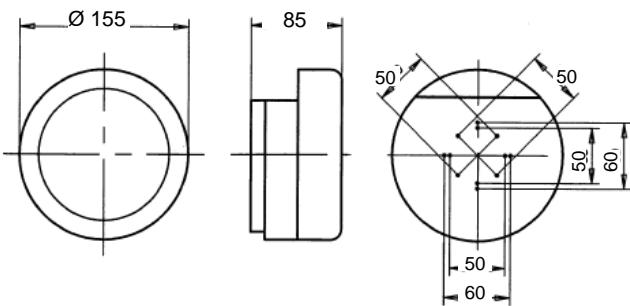
No adjustment of the bell is required.

Principle

The bell is driven by an electronic solenoid.

Note! Delivered with built-in series diode.
The alarm line is monitored with reversed polarity.
The monitoring resistor must be connected across terminals of the bell farthest from the panel.

Dimensions



Mounting

1. Remove cover plate, gong and cover
2. Place enclosed rubber gasket in the cover, at the fixing pillars for cover and in the slit for bell hammer (see enclosed description)
3. Make a hole for cable entry, use the correct gland, and lead the cable into the bell
4. Mount the bell on the wall, including the enclosed rubber plate as an intermediate layer
5. Mount cover, gong and cover plate



Technical specifications

Consists of	Base plate Gong
Weight	1,1 kg
Materials: Gong	Red steel w/polycarbonate cover plate
Base plate	Black polycarbonate
Working voltage, nominal	18 - 30 VDC
Current consumption, nominal	30 mA
Sound output	93 dBA/1 m / 24 VDC
Degree of protection	IP55
Working temperature	-10°C to +55°C

Part number	Description
116-BBR-7M	Alarm bell IP55 15 cm



AUTRONICA FIRE AND SECURITY AS

Head office, Trondheim, NO-7483 Norway Tel: +47 73 58 25 00, fax: +47 73 58 25 01, e-mail: info@autronicafire.no
Oil and Gas division, Stavanger, Norway Tel: +47 51 84 09 00, fax: +47 51 84 09 99
Maritime division, Spikkestad, Norway Tel: +47 31 29 55 00, fax: +47 31 29 55 01

Visit Autronica Fire and Security AS' website: www.autronicafire.com