

SOUNDER/VAD OUTDOOR ADDRESSABLE - BBQ-230/IP

Interactive fire detection systems Product datasheet

Features

- Sounder/Visual Alarm Device (VAD) intended for outdoors use
- Connects directly to the detection loop- no extra wiring needed
- Automatic addressing
- Configurable sound pattern
- Used with interactive fire detection systems
- High/low volume setting
- Short circuit isolator in each unit

Application/Description

BBQ-230/IP is an addressable sounder/VAD that is connected directly to the detection loop. The standard version is designed for outdoor applications (degree of protection IP66) requiring both audible and visual notification of alarms.

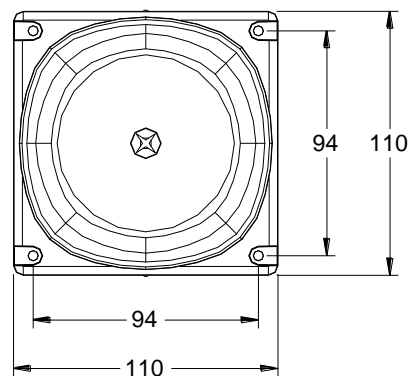
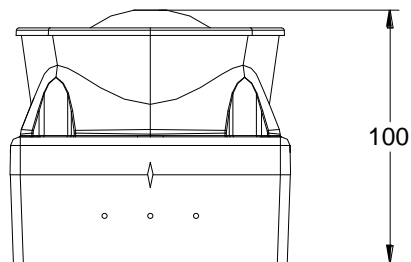
The device provides different advanced sound patterns according to configuration.

All sounders within the same loop will have synchronized sound outputs, so two sounders located near each other will be perceived as one.

The maximum number of sounders/VADs on a detection loop must be calculated according to the limitation of the system in question.

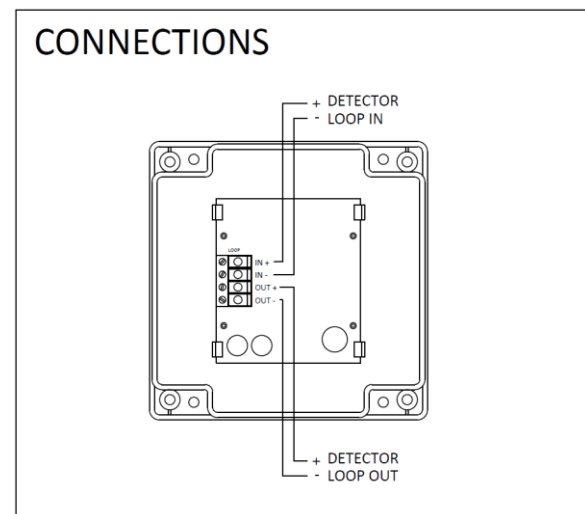


Dimensions

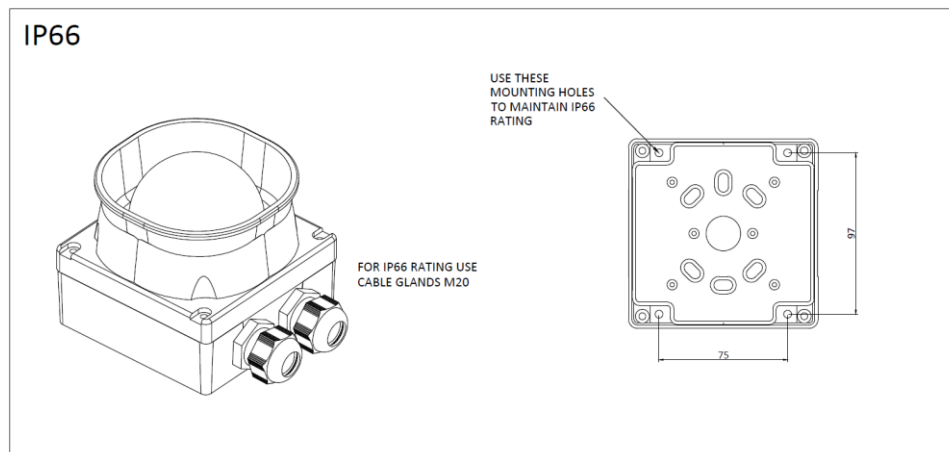


Technical specifications	
Appearance	
Weight	283g
Main body colour (RAL no.)	Red 21-0301
Lens colour	Translucent red
Finish	Polished
Material type	ABS FR and PC
Installation	
Total cable qty / type / size	4 x 0.5 to 2.5mm2 MICC
I.P. rating	IP66
Operating conditions	
Voltage range (/s)	17 - 25VDC
Current - Alarm total	VAD only: 4,68mA Sounder LP: 2,18mA Sounder HP: 4,44mA Peak current: 9mA Sounder HP + VAD: 8,6mA
Current - Quiescent	330uA
Temperature range	-25 to +70C
Humidity range	Condensing water
Sound performance	
Operational performance	Ref. AFS doc. BB-212
SPL @ 1m	Lmin=100dB(A) (17-25V)
Low volume setting	Low volume=90dB +/-3
Volume selection method	Configurable
Synchronisation	Yes - Panel control
Tones list / Details	See leaflet/installation manual
Tone selection method	Configurable

Light performance	
Flash power / light output	2 candela on axis @ 24V
Spatial distribution	100% on axis / visible sides
Flash rate /s	1Hz
Synchronisation	Yes - Panel control
Source / colour	Red / LED
Address function	
Address setting method	Software
Approvals	
Refer to https://product.autronicafire.com/products/	



Part number	Description
116-BBQ-230IP	Sounder/VAD Outdoor Addressable



Coverage Area

