

# System monitoring module - APS-177.2

AutoVoice BR-200  
Product datasheet

## Features

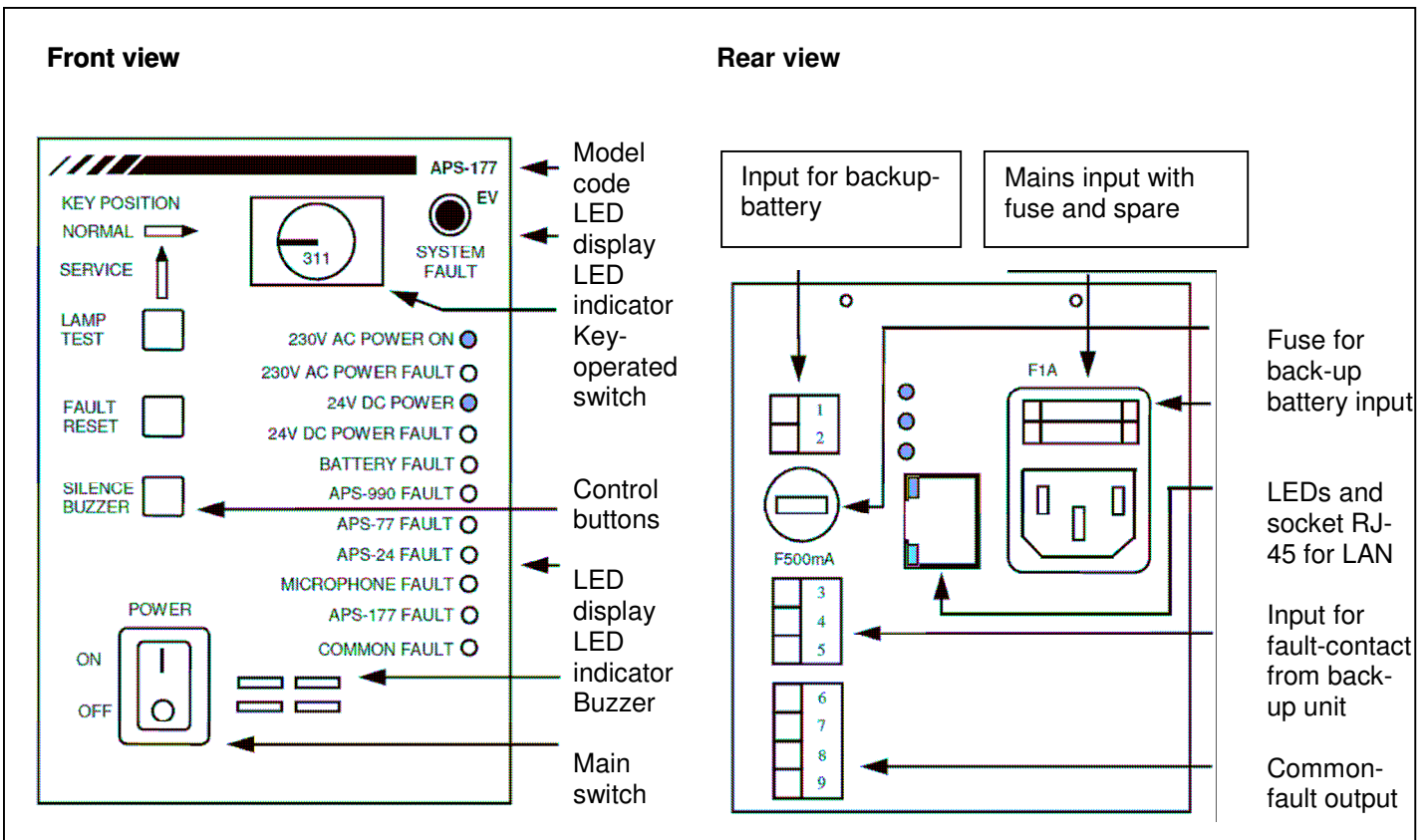
- Permanent digital surveillance of the entire system according to EN 60849/BS 5839
- LED's at the front for indication of system status
- Key-switch to prevent non-authorized system access

## Principle

- Digital surveillance of all safety relevant signal sources such as Digital Microphone Console, Fireman's Microphone, Digital Message Unit
- Integration of amplifier and loudspeaker line surveillance (Modules APS-77-EV/78-EV/78-EV/79-EV) /APS-178/APS-178 Loop, (BO-CD-XX-EV)
- Surveillance of 230 V main power, 24 V battery backup power and charge of battery backup
- Permanent self-surveillance of APS-177-EV by built-in "Watch-Dog" function
- Digital non-volatile memory for keeping record of all fault messages occurred, according to (EN 60849/BS 5839)
- Built-in-battery keeps the buzzer for acoustic fault warning in operation, even with total breakdown of power supply
- LED display at the front for permanent indication of system status
- Individual tolerance setting for each monitored system component
- Built-in real time clock
- APS-177.2-LAN additional surveillance of the LAN Network and broadcasting of all failures to the Building Management System



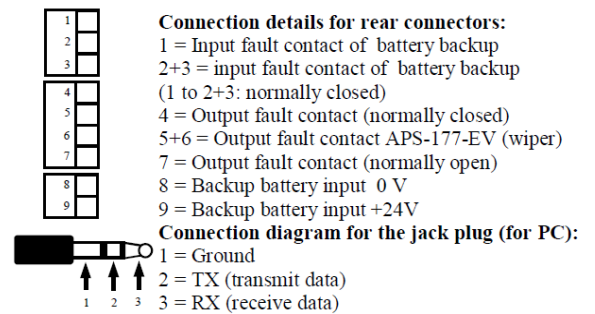
Part number	Description
116-BRG-APS177.2-EV LAN	Master network surveillance Module



**Data**

- Task: monitoring of an APS system according to the regulations IEC/EN 60849 (1998-02), NEN 2575 (01.01.00), BS 5839 (Part 8/1998), CEN EN 54-2&4 (1997) and VDE 0828
- Key-operated switch "Normal": disables programming by PC switch on "Service": stops the automatic measurements
- Button "Lamp test": to check all LEDs and the buzzer
- Button "Fault Reset": to restore after a fault
- Button "Silence Buzzer": to mute the buzzer
- Switch "power": main power switch of the system (function according to the internal mini-switch S1)
- Internal mini-switch S1: ON= activation of the system with the main power switch, OFF= activation with the main power switch and additionally with the wake-up (5)
- Red LED display: flashes if the system is turned off
- Green LED display: lights up in case of regular function
- Yellow LED display: flashes in case of a fault
- LED display "Common fault": lights up in case of any fault
- Buzzer: audible fault warning
- Fault-contact: earth-free, active in case of any fault

**Connections**



**ATTENTION: before commissioning, set the internal mini-switch BAT (for the memory-battery) to position „ON“!**

**AUTRONICA FIRE AND SECURITY AS**

Head office, Trondheim, NO-7483 Norway Tel: +47 73 58 25 00, fax: +47 73 58 25 01, e-mail: info@autronicafire.no  
 Oil and Gas division, Stavanger, Norway Tel: +47 51 84 09 00, fax: +47 51 84 09 99  
 Maritime division, Spikkestad, Norway Tel: +47 31 29 55 00, fax: +47 31 29 55 01

Visit Autronica Fire and Security AS' website: [www.autronicafire.com](http://www.autronicafire.com)