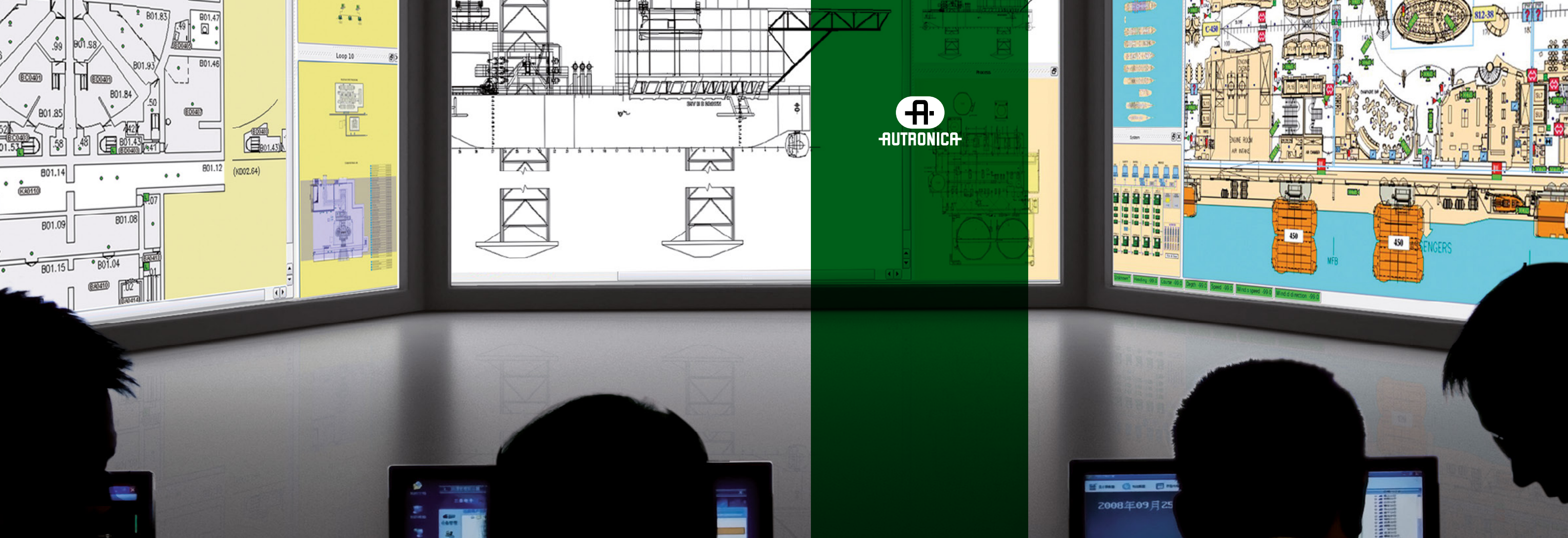




# AUTROMASTER ISEMS

A fully integrated Safety and Emergency Management System





# ISEMS – MAKING SURE YOU'RE IN CONTROL

**AutroMaster ISEMS is an integrated safety and emergency management system, combining the strengths of a powerful fire detection system with functions dedicated to make sure you are in control in case of an emergency. Easy to use, and providing a full overview and saving valuable time.**

AutroMaster ISEMS provides an intuitive graphical control and monitoring interface helping to save time when every seconds counts. The interface gives an overview of the monitored area in graphical form with the possibility to display and control a broad range of systems in addition to our own AutoSafe interactive fire detection system.

Status information is displayed in real-time with easy-to-understand graphics. Navigation in the monitored area is easily done via the navigation pad and the use of zoom – providing the possibility to display everything in detail.

- ✓ Saves time
- ✓ Full overview
- ✓ Ease of use
- ✓ Interoperability
- ✓ Making sure you're in control

AutroMaster ISEMS dynamically presents values for gas density, smoke and heat with different colours in the monitored area – making it easy to perform the necessary actions during fire fighting activity.

AutroMaster ISEMS also provides the possibility to have customer-specific information in the monitored area in information layers. Power/water supply networks, sprinkler systems, emergency lights, escape routes, fire doors or any other object which may be relevant in case of an emergency can be displayed. These layers can be toggled on/off in order to simplify overviews and present only the information of interest.

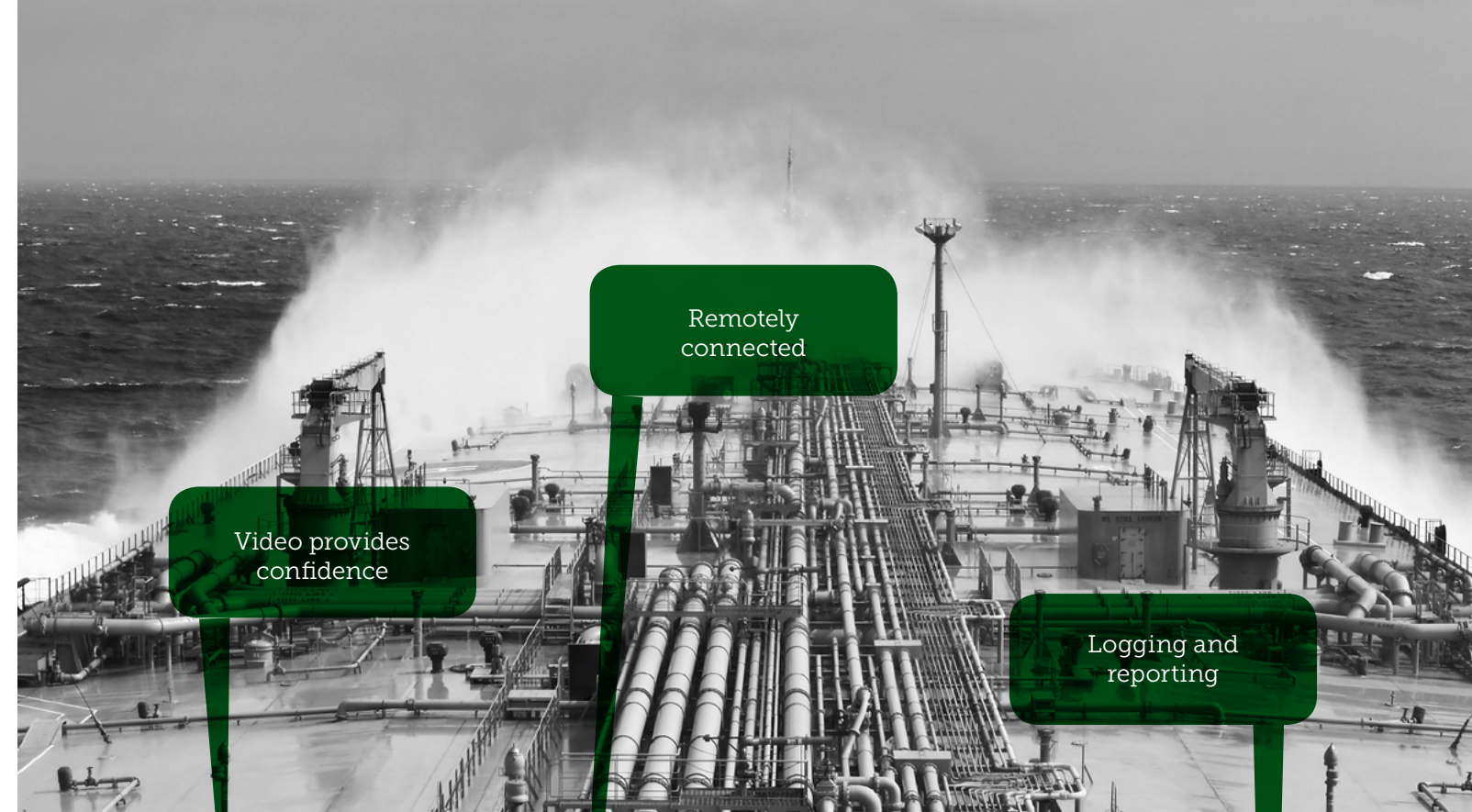
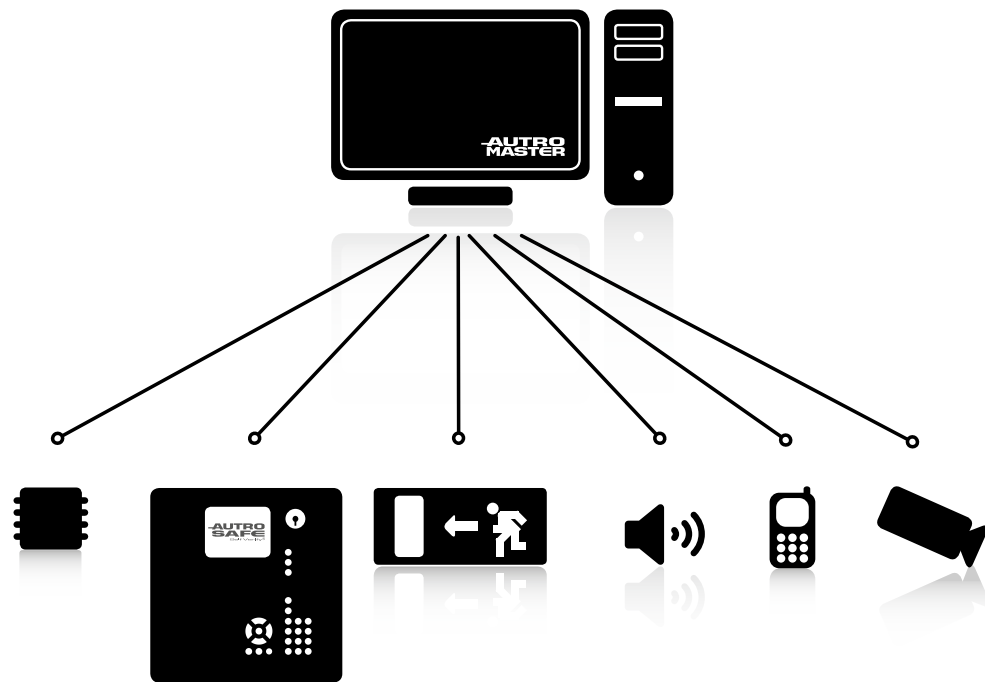


# INTEROPERABILITY

## A seamless integration with any system

Control and monitoring of third party systems can easily be done via the serial protocols or network interfaces. They can be used for connection to almost anything – network time servers, telephone systems for text messaging, public announcement systems for automated voice messaging, emergency lights, access control systems, CCTV and automation systems and so on.

It's possible to have custom designed mimics imitating switches, control lights, gauges, displays and other elements found in such systems. The AutoMaster uses these for monitoring and control – making it the central place of operation for a wide range of equipment and systems related to safety and emergency management.



### Display live video from surveillance systems

AutoMaster ISEMS offers a unique possibility to display video images. With integration towards surveillance systems, any alarm event can be double-checked with video. This provides additional confirmation of any emerging critical incident, and can assist the evacuation of people in danger as well as enhancing the fire fighting activities.

### Monitor AutoMaster from a remote location

AutoMaster ISEMS offers the possibility to have a client/server setup where one can monitor the status of the fire detection system from a remote location via a network connection. This makes it possible to use a central safety centre to observe multiple locations simultaneously, and to leverage on existing safety operations. Portable devices with a wireless network connection can be used in fire fighting operations to keep real-time track of the development of a fire.

### All events documented

AutoMaster ISEMS keeps track of any event in the system and has a built-in report generator for creation of reports and logs of almost any kind. This provides a cost-effective system log for maintenance and documentation purposes.





The AutoMaster ISEMS provides the complete range of functionality – every possible add-on module is included in this package, making it the perfect choice for demanding applications and professional customers in any market segment.

# THE RIGHT DECISION

## Guidance in critical events

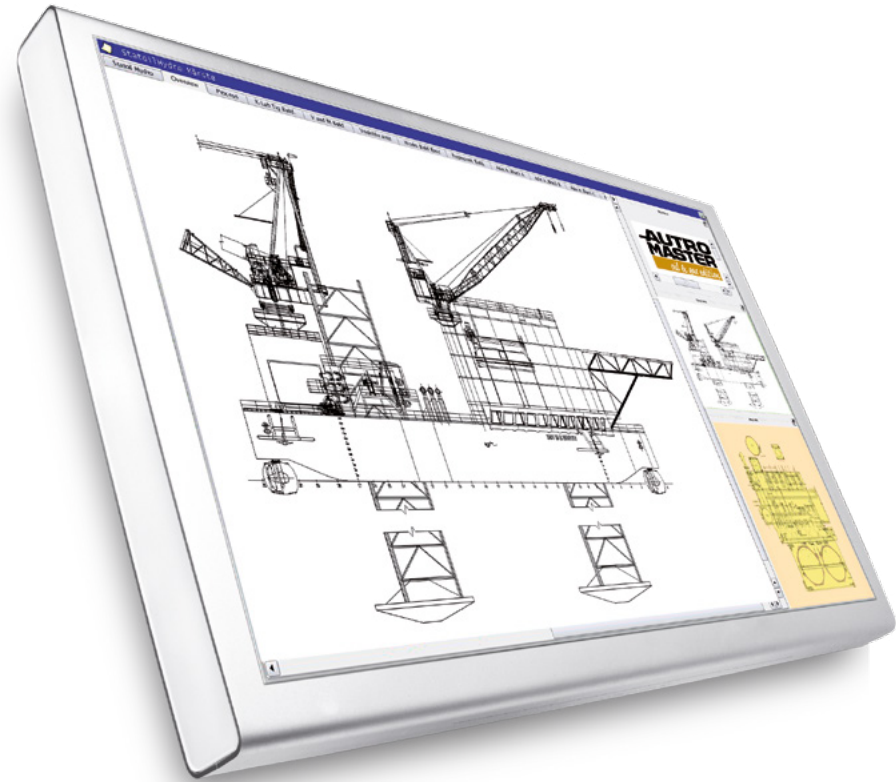
In the high-risk environments around the world, a fire or gas leakage can quickly escalate into a disaster of gigantic proportions. If you only have seconds to make the right decisions, the right safety and emergency management system could be an invaluable asset.

AutoMaster ISEMS includes a Decision Support System (DSS), helping you make these decisions at the right time in case of emergency. When an alarm is activated and the stress level rises, it's tough to remember exactly what to do, and in which order. With the DSS, customer-specified checklists and procedures appear as the alarm is activated, guiding you through the crisis in a secure and accurate manner.

In preparation for any emergency, a training module is included in AutoMaster ISEMS. This module provides a virtual training session, imitating a real emergency event, and giving the opportunity to rehearse every possible situation. In this way, one can be prepared for any event at any time, and be prepared to make the right choice in seconds.







# OIL AND GAS EDITION

**Ideally suited for the petrochemical, oil and gas industry**

We have developed the AutoMaster into market specific editions, each edition tailored to the market needs and requirements.

In environments with combustible gas hazards, it is important to know long before the gas concentration reaches the LEL (Lower Explosive Limit). To assist discovery of such hazards, AutoMaster Oil & Gas Edition provides graphical trending of values from gas detectors. It's possible to select several gas detectors in the monitored area and view the exact LEL values from these in real time.







# Thinking new thoughts is part of our job.

That is how we create products that make you feel safe.

More than fifty years ago, we invented the very first fire alarm as you know it today. Since then we have turned it upside down several times – and still we continue to make new revolutions. Our goal has always been that people should be able to think less about what matters most; safety.

We know that our products are amongst the best in the world, but we also know that the best products can always get better. We continue to develop and we are able to say with conviction, that we protect life, environment and property.



**Autronica Fire and Security AS is a leading innovator, manufacturer and supplier of fire and gas protection, safety and maritime measuring equipment worldwide.**

Our products ensure safety in applications on land, sea and in the petrochemical, oil and gas sectors.

We are an international company with worldwide offices and our HQ is located in Trondheim, Norway's technology hotspot.