

Features

- Self-Verify function for automatic testing of detectors
- Automatic addressing of detectors
- Accommodates up to a maximum of 12 modules, of which maximum six can be Loop Driver Modules
- User-friendly display and operator controls
- Backlit operational buttons. Text display suitable for full darkness operation
- Surface or flush mounting, or rack mounting in standard 19" cabinets
- Designed to meet EN-54 and LPCB requirements, and conforms to CE standards
- Complies with environmental conditions of IEC-721-3-3 class 3k5

Application/Description

BS-310/320 is a complete fire alarm control panel with full operation capabilities. The panel serves as an operating panel for one or several defined *operation* zones. All alarm handling and system features can be controlled and monitored from the panel.

The panel can accommodate up to a maximum of 12 modules. The system offers a *Loop Driver Module* for detector loops and several types of *I/O modules* for monitored outputs, open collector outputs, galvanic isolated inputs and monitored inputs. There can be a maximum of six Loop Driver Modules in each panel. All modules are easily plugged onto each other on a standard mounting rail inside the unit.

The panel is menu operated on a 16-line display, with 40 characters per line. A built-in printer is available as an option.

With a LON Interface the Fire-Alarm Control Panel can communicate with other system units on the local operating network, AutoLON. This interface is standard in BS-320, and not included in BS-310. The panel has a 230VAC/3A power module for battery charging, and a built-in emergency battery.

Indicators

- 16 x 40-character alphanumeric display
- Fire/Alarm, More Events, Fault, Function Disabled, Function Delayed, Fire Brigade Signaled, Power, Testing, Fire Brigade Disabled, Fire Brigade Fault, System Fault, Alarms Disabled, Alarms Fault
- Internal buzzer

Operator Controls

- More Events, Mute Panel, Silence Alarms, Reset
- Keyboard with alphanumeric characters and scroll function
- Separate buttons for menu operation
- Backlit buttons and text



Optional I/O Modules

- *Loop Driver Module* (BSD-310/311). For connection of detector loops. One detector loop can be connected to each module. A maximum of 127 loop units (detectors, manual call-points, I/O-units and/or electronic sounders) can be connected to each detector loop
- *Output Module* (BSB-310), with four monitored outputs. For connection to fire-alarm devices (FAD), such as sounders etc., and fire-protection equipment (FPE) such as fire doors, ventilation controllers or fire extinguishers. Also suitable for connection to fire-alarm routing equipment (FARE), such as fire brigade equipment, and for connection to fault outputs
- *Output Module* (BSJ-310), with eight open collector, non-monitored outputs. For connection of external LED-indication panel
- *Input Module* (BSE-310) with four monitored inputs
- *Input Module* (BSE-320), with eight non-monitored inputs (galvanic isolated)

Capacity

- There can be a maximum of 32 panels in a LON ring (EN-54). A demand for more than 32 panels requires several LON rings
- Each unit can be equipped with a maximum of 12 of the above modules, of which maximum six can be Loop Driver Modules (cabinet without internal batteries)
- A maximum of 512 detectors and manual call-points can be connected to each Fire-Alarm Control Panel (EN-54)



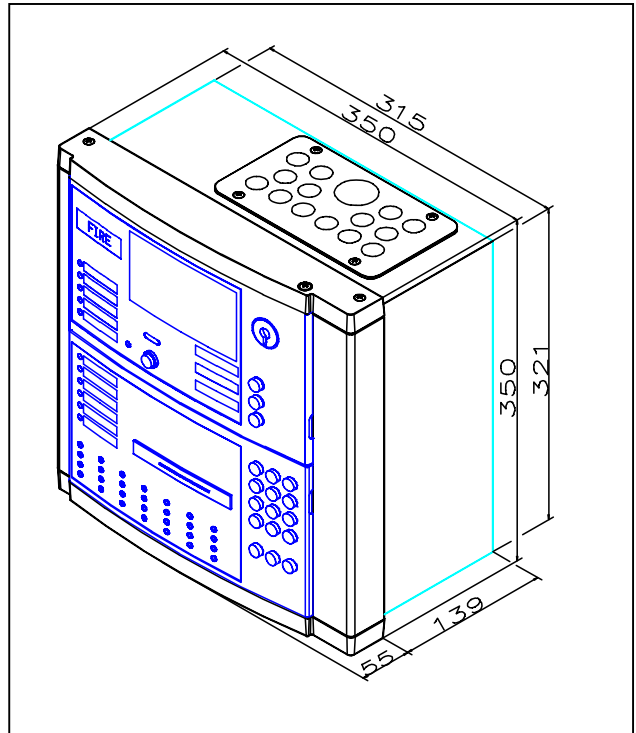
Technical Specifications

Dimensions (mm)	350 x 350 x 194
Weight	8,5 kg (without I/O modules and batteries)
Materials	Steel cabinet, ABS/PC moulded front
Mounting	Surface or flush mounting
Protection class	IEC-529 / IP30
Operating Temperature	0°C to +55°C
Storage Temperature	-40°C to +70°C
Power supply	230VAC (160-265VAC) Frequency: 47-63Hz or 24VDC
Current consumption	250mA at 27VDC (when no I/O modules are connected)
Capacity – Loop Driver Modules and I/O Modules	Maximum 12 modules i cabinets without batteries. (A combination of BSD-310, BSB-310, BSE-310/320 and BSJ-310)
Capacity – Loop Driver Module	Maximum 6 BSD-310s. The maximum number of detectors and manual call-points that can be connected to these six modules are 512 (refer to EN-54)
Batteries	2 x 12V = 24V not included
Detector connection	By use of BSD-310/ BSD-311
Inputs	By use of BSE-310 and BSE-320 or
Outputs	By use of BSB-310 and BSJ-310
Communication	AutroLON (BS-320 only) AutroCom / Ethernet or Serial Port

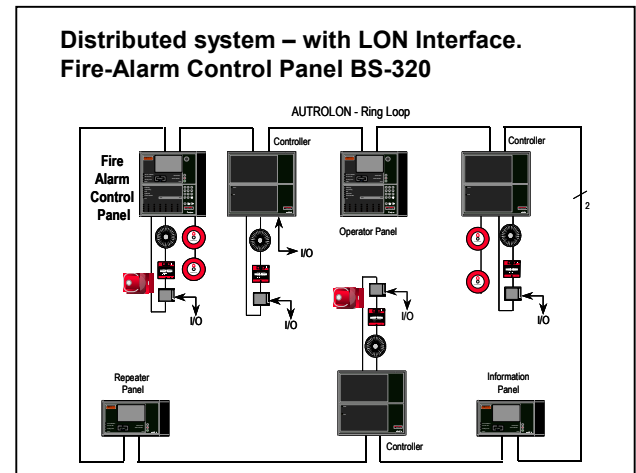
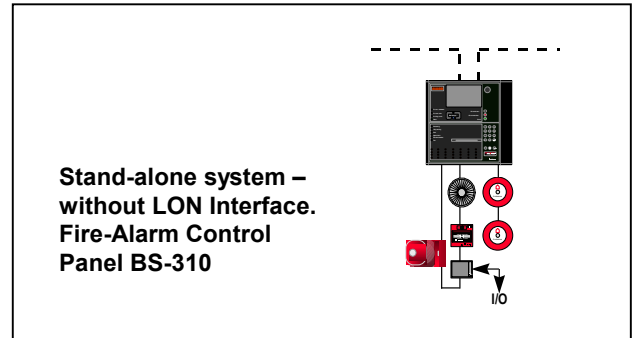
Order Numbers

Order number	Description
BS-310/-	Operator Panel
BS-320/-	Operator Panel
Options:	
BSD-310/311	Loop Driver Module
BSB-310	Output Module w/four monitored outputs
BSJ-310	Control Output Module w/eight open collector outputs Non-monitored
BSE-310	Input Module (four monitored inputs)
BSE-320	Input Module (eight non-monitored galvanic isolated inputs)
BUP-310	Printer
	AutroCom / Ethernet or Serial Port
	Language

Dimensions



System Overview



Autronica Fire and Security AS

Fire and Security, Trondheim, Norway. Phone: + 47 73 58 25 00, fax: + 47 73 58 25 01
 Oil & Gas, Stavanger, Norway. Phone: + 47 51 84 09 00, fax: + 47 51 84 09 99
 Maritime Sales, Spikkestad, Norway. Phone: + 47 31 29 55 00, fax: + 47 31 29 55 01

Visit Autronica Fire and Security's website: www.autronicafire.com