

# WALL SPEAKER BBR-ABT-W6

AutoVoice  
Product Datasheet

## Features

- Compliance with EN 54-24
- Certificate of Conformity issued by CNBOP: 1438-CPR-0654
- Compliance with BS5839-8 standard (Thermal protection)
- Easy and quick to mount
- Modern and elegant design
- High quality sound of both speech and music
- Ideal for on-wall or in-wall mounting



## Product overview

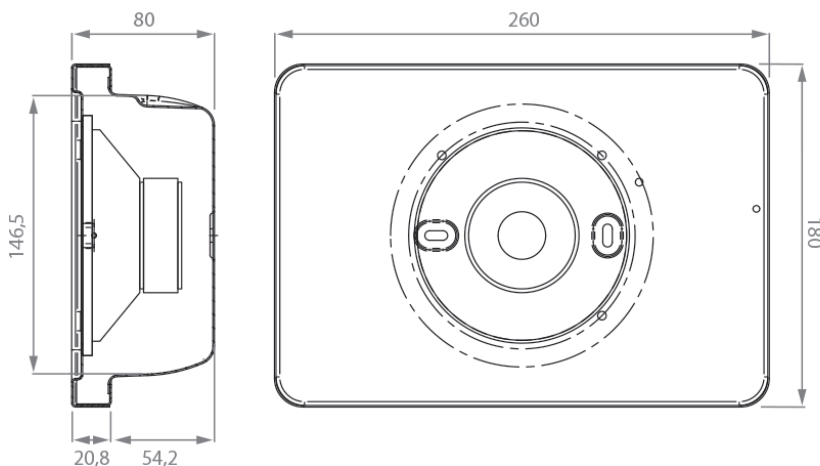
The BBR-ABT-W6 is an elegant multi-function loudspeaker designed to guarantee the highest acoustic parameters. Its solid casing offers an effective protection against acts of vandalism. The loudspeaker can be mounted either on a wall or on a ceiling. Additionally, the BBR-ABT-W6 can be fixed as an recessed speaker and therefore it is an ideal solution for rooms where aesthetic factors play a significant role.

The loudspeaker offers adjustable power regulation through connectivity to applicable transformer tapings thus allowing suitable acoustic pressure (the level of sound) within areas of sound emission adequately to the acoustic conditions existing in those areas.

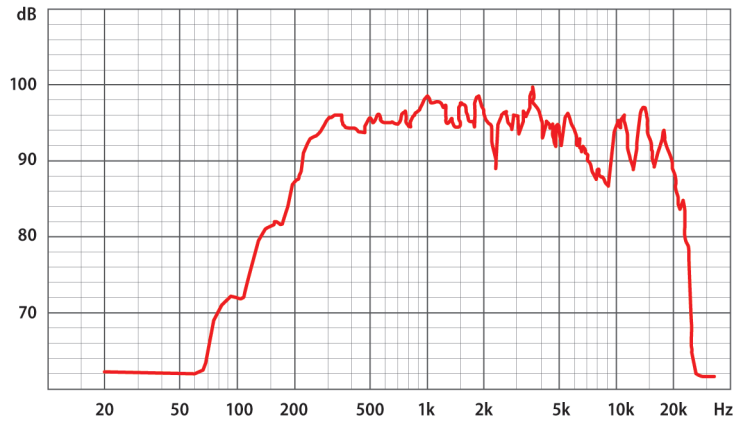
Product name	Part number	Description
BBR-ABT-W6	116-BBR-ABT-W6	WALL SPEAKER 6 W

Technical Specification	
Rated power, W	6
Tappings 100 V line according to EN 54-24, W	6 / 3 / 1,5 / 0,75
Tappings 70 V line, W	3 / 1,5 / 0,75 / 0,37
Transformer impedance, $\Omega$	1667 / 3333 / 6667 / 13333
Driver impedance, $\Omega$	8
Effective frequency range, Hz	120 – 20 000
Sensitivity @ 4 m, 1 W, dB	79
SPL @ 4 m, Rated power, dB	85
SPL @ 1 m, 1 W, dB, Test signal bandwidth 300 Hz – 6 kHz	94
SPL @ 1 m, Rated power, dB, Test signal bandwidth 300 Hz – 6 kHz	101
Dispersion at 500 Hz / 1 kHz / 2 kHz / 4 kHz, [°]	180 / 180 / 163 / 80
Environmental type / IP Rating according to EN 54-24	A / IP21C
IP Rating	32
Min / Max Amb Temp	-10°C / 55°C
Dimensions, mm	260 × 180 × 80
Net Weight, kg	1,75
Colour	White (RAL 9003)
Material	Steel
Mounting	Screw
For DC line monitoring	Capacitor (BBR-ABT-W6C)
Colour optional	RAL Palette
Ease Model	✓

## Dimension drawing



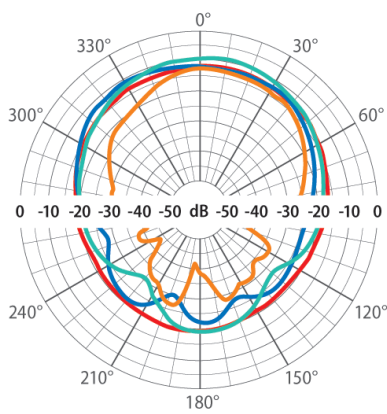
## Frequency band



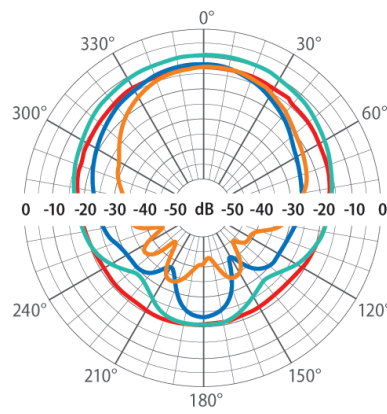
## Circular chart of directional characteristic

horizontal:

vertical:



500 Hz  
1000 Hz  
2000 Hz  
4000 Hz



500 Hz  
1000 Hz  
2000 Hz  
4000 Hz