



# Autroprime Installation Handbook

Autroprime Interactive Fire Detection System



COPYRIGHT ©

This publication, or parts thereof, may not be reproduced in any form, by any method, for any purpose.

Autronica Fire and Security AS and its subsidiaries assume no responsibility for any errors that may appear in the publication, or for damages arising from the information in it. No information in this publication should be regarded as a warranty made by Autronica Fire and Security AS. The information in this publication may be updated without notice.

Product names mentioned in this publication may be trademarks. They are used only for identification.



# Table of Contents

---

<b>1. Introduction.....</b>	<b>7</b>
1.1 About the Handbook.....	7
1.2 The Reader .....	7
1.3 Reference Documentation.....	7
<b>2. Safety.....</b>	<b>8</b>
2.1 Important Safety Information.....	8
2.2 National Standards and Regulations.....	9
2.3 Technical Documentation.....	9
2.4 Recommendations for latest available Firmware and Operating System.....	9
2.5 System Design, Installation, Commissioning, Testing and Validation.....	10
2.6 Modifications to the products .....	10
2.7 Safety Notices .....	11
2.8 Compliance with Standards and Directives.....	11
2.9 Environment Compatibility.....	12
2.9.1 Recycling.....	12
2.9.2 Disposal .....	12
<b>3. Pre-installation.....</b>	<b>13</b>
3.1 Location.....	13
3.2 Environmental Requirements.....	13
3.3 Mounting Height / Space Requirement.....	13
3.4 Mounting Alternatives.....	14
<b>4. Panels, Brackets and Cabinet.....</b>	<b>15</b>
<b>5. Interconnecting Panels on the Panel Bus.....</b>	<b>17</b>
5.1 Overview.....	17
5.2 Cyber Security.....	17
<b>6. Mounting Instructions .....</b>	<b>18</b>
<b>7. Addressing Panels .....</b>	<b>20</b>
7.1 Rotary Switch on Panels .....	20
7.2 Addressing the Fire Alarm Control Panel (BS-200) .....	20
7.3 Addressing other Panels .....	20
7.4 Addressing Mimic Drivers.....	20

<b>8. Mounting Drawings.....</b>	<b>21</b>
8.1 Hole Dimensions - Mounting Bracket for BS-210 and BS-211 .....	21
8.2 Hole Dimensions - Mounting Bracket for BU-210, BU-211 and BV-210.....	22
<b>9. Cable Specifications.....</b>	<b>23</b>
9.1 Calculating the Current Consumption .....	23
9.2 Tables.....	23
9.2.1 Table for Low Current Detectors and I/O units .....	23
9.2.2 Table for High Current Detectors and I/O units .....	24
9.2.3 Onboard I/O and Power .....	24
9.2.4 Panel Bus and Serial Port.....	25
9.3 General Considerations.....	25
9.4 The Panel Bus Cable Requirements .....	26
9.4.1 Characteristic Impedance and Signal Attenuation.....	26
9.4.2 High-voltage and Noisy Environments.....	26
9.4.3 Cable Length and Power Consumption .....	27
9.5 Calculation of Power Consumption and Cable Loss .....	28
9.6 Power Supply and Battery Capacity.....	29
<b>10. Cable Connections .....</b>	<b>30</b>
10.1 Cabling - Overview .....	30
10.2 Overview Internal Cable Layout .....	32
10.3 Battery Connections .....	33
10.4 Connections to Power Supply / Mains Power .....	35
10.5 Fuses.....	36
10.6 Connection of External DC Power .....	37
10.7 Terminal Points Overview – Main Board.....	38
10.8 Description of Terminal Points – Main Board.....	39
10.8.1 Main Terminal Block J1.....	39
10.8.2 Ethernet RJ45 connector J2 .....	42
10.8.3 Power Supply Control and Battery Temperature Measurement J3 .....	42
10.8.4 Auxiliary Terminal Block J4 .....	43
10.8.5 USB Host J10.....	43
10.8.6 Auxiliary Terminal Block J6.....	44
10.8.7 User Configurable Inputs .....	44
10.8.8 User Configurable Outputs .....	44
10.9 Cable Connections inside the Cabinet (Fire Alarm Control Panel) ...	45
10.9.1 Connections (J7) for a standalone cabinet with integrated BS-210 .....	45
10.9.2 Connections (J4) for a cabinet with external BS-210 and no external panel bus.....	46
10.9.3 Connections (J4) for a cabinet with integrated BS-210 and external panel bus.....	47
10.9.4 Connections (J4) for a cabinet with external BS-210 and external panel bus.....	48
10.10 Panel Bus Connections to BU-, BV- and BS-panels.....	49
10.11 Overview Panel Bus .....	50
10.12 Connections to Mimic Drivers (BUR-200) .....	51
10.12.1 Terminal Points – Overview .....	52
10.12.2 Switch Settings.....	53
10.12.3 Connection of Master and Slave Mimic Drivers .....	53

10.12.4	Connections for Panel Bus .....	54
10.12.5	Connections for Slave Panels .....	54
10.12.6	Terminals for monitored inputs .....	54
10.13	Ground Fault .....	55
<b>11</b>	<b>Maritime Installations .....</b>	<b>56</b>
11.1	Typical Maritime Installation – Overview .....	56
11.2	Fire Alarm Control Panel BS-200M .....	57
11.2.1	External Connections .....	57
11.2.2	Detection Loop Connections – Extended Terminal Block.....	57
11.2.3	Internal Wiring .....	58
11.3	Panel Bus Connection.....	61
11.4	Mimic Cabinet BUR-200.....	62
11.5	External Battery Cabinet .....	63
11.5.1	Dimensions .....	63
11.5.2	Internal Connections in Battery Cabinet .....	64
<b>12</b>	<b>Startup .....</b>	<b>65</b>
12.1	Power Up .....	65
12.2	Testing.....	66
12.3	Safety Measures during Commissioning and Maintenance.....	66
12.4	Service Menu when the System is Starting.....	67
<b>13</b>	<b>Switches and Indicators on the Main Board .....</b>	<b>68</b>
13.1	Overview.....	68
13.2	Reset Switch (S1).....	68
13.3	Dip-switches for Mode Settings (S2).....	69
13.4	Battery Short-circuit Protection .....	69
13.5	Battery Restart after Deep Discharge (S3) .....	70
13.6	Serial Port Settings (S4).....	70
13.7	System Fault LED indicator (yellow) .....	70
13.8	Status LED indicator (red).....	71
13.9	Power LED indicator (green).....	71
13.10	Regulated 24V Indicator (green) .....	71
<b>14</b>	<b>Exporting / Importing Configuration Data.....</b>	<b>72</b>
14.1	USB Output .....	72
14.2	Entering the Service Menu .....	73
14.3	Exporting Configuration Data .....	74
14.4	Importing Configuration Data .....	75
14.5	Backup Current Configuration.....	76
14.6	Select Configuration & Restart System.....	76
14.7	Save Configuration.....	77
<b>15</b>	<b>Changes on the Detection Loop .....</b>	<b>78</b>
15.1	Typical Scenarios .....	78
15.2	Remove a unit and Insert the same unit .....	78
15.3	Remove a unit and insert another unit of the same type .....	79
15.4	Remove a unit and insert another unit of a different type .....	79

15.5	Add a new unit to the detection loop .....	80
15.6	Remove a loop unit from the detection loop.....	80
15.7	Major Changes / Clear Loop Config. - Restart System .....	81
<b>16.</b>	<b>Changes on the Panel Bus.....</b>	<b>82</b>
16.1	Typical Scenarios .....	82
16.2	Adding an extra panel to the Panel Bus.....	82
16.3	Removing a panel from the Panel Bus.....	83
16.4	Replacing a panel of the same type and with the same address.....	83
16.5	Replacing a panel of the same type but with a different address .....	84
16.6	Replacing a panel of a different type.....	85
<b>17.</b>	<b>Charger and Battery .....</b>	<b>86</b>
17.1	Calibration .....	86
17.2	Battery and Charger Characteristics .....	87
17.3	Battery Maintenance .....	87
	17.3.1 Batteries .....	87
	17.3.2 Periodic maintenance check of batteries .....	87
<b>18.</b>	<b>Appendix .....</b>	<b>88</b>
18.1	Text Foils .....	88

# 1. Introduction

## 1.1 About the Handbook

This document describes in detail the installation of the **Autroprime Interactive Fire Detection System** (hereby called **Autroprime**), a system for small-to-medium-sized applications.

## 1.2 The Reader

This handbook is intended for technical personnel.

## 1.3 Reference Documentation

In addition to this handbook, the following technical documentation is available:

Documents
System Description
Configuration Handbook
Operator's Handbook
User Guide
Wall Chart
Menu Structure
Datasheet; Fire Alarm Control Panel BS-200
Datasheet; Fire Alarm Control Panel BS-200M
Datasheet; Autroprime Controller Unit BC-250
Datasheet; Repeater Panel BS-211
Datasheet; Information Panel BV-210
Datasheet; Fire Brigade Panel BU-210
Datasheet; Mimic Driver BUR-200

For information on all available documents to download, refer to Autronica's Product Web <http://product.autronicafire.com/products/>

## 2. Safety

---

### 2.1 Important Safety Information



IMPORTANT SAFETY INFORMATION. READ ENCLOSED WARNINGS AND SAFETY INFORMATION.

THIS MANUAL CONTAINS PRODUCT SAFETY WARNINGS, WARRANTY DISCLAIMERS, LIMITATIONS OF LIABILITY

#### PRODUCT WARNINGS

THESE PRODUCTS ARE INTENDED FOR SALE TO, AND INSTALLATION BY, AN EXPERIENCED PROFESSIONAL. AUTRONICA FIRE AND SECURITY CANNOT PROVIDE ANY ASSURANCE THAT ANY PERSON OR ENTITY BUYING ITS PRODUCTS, INCLUDING ANY "AUTHORIZED DEALER", IS PROPERLY TRAINED OR EXPERIENCED TO CORRECTLY INSTALL FIRE RELATED PRODUCTS.

A PROPERLY INSTALLED AND MAINTAINED PRODUCT/SYSTEM MAY ONLY REDUCE THE RISK OF EVENTS SUCH AS FIRE, SMOKE; IT IS NOT INSURANCE OR A GUARANTEE THAT SUCH EVENTS WILL NOT OCCUR, THAT ADEQUATE WARNING OR PROTECTION WILL BE PROVIDED, OR THAT THERE WILL BE NO DEATH, PERSONAL INJURY, AND/OR PROPERTY DAMAGE AS A RESULT.

AUTRONICA FIRE AND SECURITY BATTERY OPERATED SENSORS, DETECTORS AND PANEL ACCESSORIES HAVE A LIMITED BATTERY LIFE. WHILE THESE PRODUCTS ARE DESIGNED TO PROVIDE SOME WARNING OF IMMINENT BATTERY DEPLETION THE ABILITY TO DELIVER SUCH WARNINGS IS LIMITED AND SUCH WARNINGS MAY NOT BE PROVIDED IN ALL CIRCUMSTANCES. PERIODIC TESTING OF THE SYSTEM IN ACCORDANCE WITH THE INSTRUCTIONS PROVIDED IN THE USER MANUAL IS THE ONLY WAY TO ENSURE ALL SENSORS, DETECTORS AND PANEL ACCESSORIES ARE FUNCTIONING PROPERLY.



## WARRANTY DISCLAIMERS

TO THE MAXIMUM EXTENT PERMITTED BY LAW, AUTRONICA FIRE AND SECURITY HEREBY DISCLAIMS ALL WARRANTIES AND REPRESENTATIONS, WHETHER EXPRESS, IMPLIED, STATUTORY OR OTHERWISE INCLUDING (BUT NOT LIMITED TO) ANY WARRANTIES OF MERCHANTABILITY OR FITNESS FOR A PARTICULAR PURPOSE WITH RESPECT TO ITS PRODUCTS AND RELATED SOFTWARE. AUTRONICA FIRE AND SECURITY FURTHER DISCLAIMS ANY OTHER IMPLIED WARRANTY OF MERCHANTABILITY OR FITNESS.

AUTRONICA FIRE AND SECURITY MAKES NO REPRESENTATION, WARRANTY, COVENANT OR PROMISE THAT ITS PRODUCTS AND/OR RELATED SOFTWARE (I) WILL NOT BE HACKED, COMPROMISED AND/OR CIRCUMVENTED; (II) WILL PREVENT, OR PROVIDE ADEQUATE WARNING OR PROTECTION FROM, FIRE , SMOKE; OR (III) WILL WORK PROPERLY IN ALL ENVIRONMENTS AND APPLICATIONS.

## 2.2 National Standards and Regulations

Products from Autronica Fire and Security are developed and manufactured in compliance with international safety standards. Any additional national or local safety standards that apply where the equipment is installed and operated, must also be taken into account together with the safety regulations in the product documentation.

## 2.3 Technical Documentation



Anyone installing, commissioning, using or maintaining Autronica Fire and Security products must follow the instructions in this handbook and other applicable handbooks or standards in order to ensure safe operation of the products and services.

## 2.4 Recommendations for latest available Firmware and Operating System



We strongly recommend to always make sure that the systems are operated with the latest available firmware/operating system in order to ensure optimal operation and performance at all times.

## 2.5 System Design, Installation, Commissioning, Testing and Validation



When installing and commissioning an Autronica system, including interfacing Autronica systems with external systems, the following applies:

- All equipment used for interfacing must comply with the intended purpose and specified ratings and limits (e.g., but not limited to, current, voltage or temperature limits) during both normal (e.g. standby or activation) and faulty operating conditions/modes (e.g. short circuit or break).
- Safety systems, including external interfaced systems and their status transmission paths (e.g. alarm, fault transmission or monitored input/outputs), must be tested according to applicable regulations (e.g. EN54, UL) to ensure proper operation during both normal and faulty operating conditions (e.g. short circuit or break).
- During system commissioning, to ensure that the system works as intended, the complete system (including, but not limited to the following: control panel, detectors, control functions, activation groups, activation of inputs/outputs and cause-and-effect configuration) must be tested and verified. The same applies when making changes to the system (e.g. changes to the loop setup and configuration or addition of alarm devices). Any part of the system affected by the changes must be tested to ensure normal and intended operation.
- During commissioning, system maintenance or similar, service personnel must take appropriate action in order to avoid unmotivated activation of outputs connected to safety-critical systems. Such actions may be, but is not limited to, SW disablement of outputs or physically disconnection of solenoids.

## 2.6 Modifications to the products





Modifications to the products mentioned in this handbook shall **not** be carried out. If a fault or malfunction occurs, the product in question shall be replaced with a new one. Contact your local Autronica contact or dealer for further information.

Autronica Fire and Security AS disclaims all liability or responsibility for any injuries or death, damage, faults, malfunctioning and safety risks that may occur due to the use of a product that has been modified.

## 2.7 Safety Notices

Throughout this handbook you will find safety notices, warnings and cautions.

Safety Words	Symbol / Description
NOTICE	 Notifies people of important installation, operation, or maintenance information that is NOT HAZARD RELATED
CAUTION	 Indicates the presence of a hazard that will or could cause personal injury or property damage if ignored

## 2.8 Compliance with Standards and Directives

Our product portal <http://product.autronicafire.com/certificates/> provides information about certificates, standards and approval bodies.

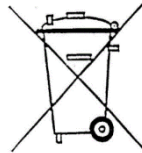
## 2.9 Environment Compatibility

### 2.9.1 Recycling



The product is manufactured using materials and procedures which comply with current environmental protection standards EMC, RoHS, LVD and WEEE.

### 2.9.2 Disposal



The WEEE Directive



The product is considered an electronic device for disposal in accordance with the European Guidelines. The device must be disposed through channels provided for this purpose.

The product should not be disposed with other household wastes at the end of its life cycle. During waste treatment, disposal and collection, please separate the product from other types of wastes and recycle it responsibly to promote the sustainable reuse of material resources. This product should not be mixed with other commercial wastes for disposal.

Make sure to comply with all local and currently applicable laws and regulations.

---

## 3. Pre-installation

---

### 3.1 Location

The Fire Alarm Control Panel or Operator Panel must be located in, or nearby, the entrance according to local regulations and in consultation with the fire brigade.

Repeater Panels, Fire Brigade Panels and Information Panels must be placed according to local regulations and in consultation with the fire brigade.

### 3.2 Environmental Requirements

The equipment complies to environmental conditions of IEC-721-3-3 class 3k5.

Ambient temperature: -5 to +55 C

Degree of protection:

- BS-200: IEC-529/IP30
- BS-200M: IEC-529/IP32

### 3.3 Mounting Height / Space Requirement

To ensure optimal readability of the panels' display, the recommended mounting height of the panel top is approximately 175 cm above the floor.

## 3.4 Mounting Alternatives

The Fire Alarm Control Panel (BS-200, BS-200M) is to be surface mounted onto the wall.


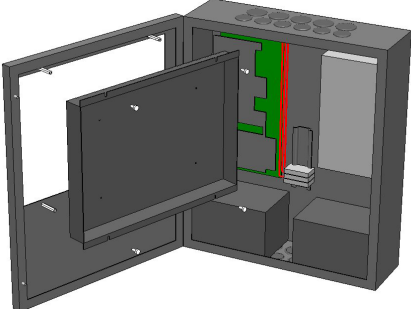


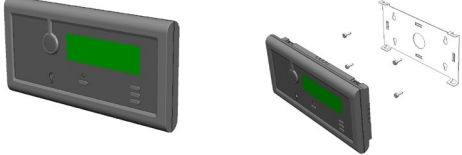
The Operator Panel (BS-210), which is an integrated part of the Fire Alarm Control Panel, can also be mounted separately outside a cabinet, either surface mounted onto the wall or mounted inside a 19" rack or console.

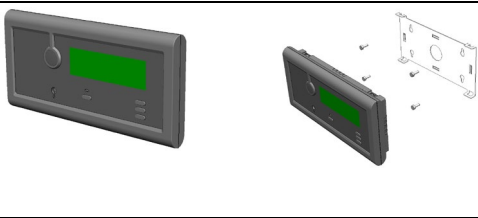

All other panel types; Repeater Panel (BS-211), Fire Brigade Panel (BU-210), Information Panel (BV-210), Mimic Driver (BUR-200) and the "Larmlagringspanel" BU-211 are to be surface mounted onto the wall or mounted inside a 19" rack or console.

For information on mounting alternatives for the maritime panel BS-200M and Mimic Cabinet BUR-200, refer to chapter 11.

## 4. Panels, Brackets and Cabinet

The Autoprime system provides the following panels, brackets and cabinets:

	<p>Fire Alarm Control Panel (BS-200, BS-200M)</p> <p>BS-200 is an integrated fire-alarm control panel for small-to-medium-sized installations. The panel serves as a stand-alone operating panel, or as a master panel in a networked system.</p> <p>Dimensions: HxWxD (mm): 420x346x140</p>
	<p>Cabinet (UE-1747)</p> <p>If the Operator Panel (BS-210) is mounted separately outside the cabinet, the door bracket is to be turned inside out, and fastened to the cabinet's door.</p> <p>Dimensions: HxWxD (mm): 420x346x140</p>
	<p>Operator Panel (BS-210)</p> <p>The panel is delivered as an integrated part of the Fire Alarm Control Panel but can also be mounted separately outside a cabinet onto a bracket (UD-731).</p> <p>Dimensions: HxWxD (mm): 310 x 220 x 45</p>
	<p>Repeater Panel (BS-211)</p> <p>The panel is identical to the the Operator Panel BS-210, with the exception of the alphanumeric keypad. Mounted onto a bracket (UD-731).</p> <p>Dimensions: HxWxD (mm): 310 x 220 x 45</p>
	<p>Fire Brigade Panel (BU-210)</p> <p>Mounted onto a bracket (UD-732).</p> <p>Dimensions (mm): HxWxD (mm): 154 x 310 x 45</p>

	<p>Information Panel (BV-210)</p> <p>Mounted onto a bracket (UD-732).</p> <p>Dimensions (mm): HxWxD (mm): 154 x 310 x 45</p>
	<p>Mimic Driver (BUR-200)</p> <p>The Mimic Driver is capable of driving 32 LEDs with series resistors on a mimic panel for additional indication of alarms. Provides also 8 standard monitored inputs.</p> <p>Dimensions: HxWxD (mm): 181x125x40</p> <p>For maritime applications, the Mimic Driver BUR-200 is delivered in a cabinet (BUR-200M) providing 16 programmable relays.</p>

In addition, the Autoprime system provides the "Larmlagringspanel" BU-211 specifically designed for the Swedish Market.



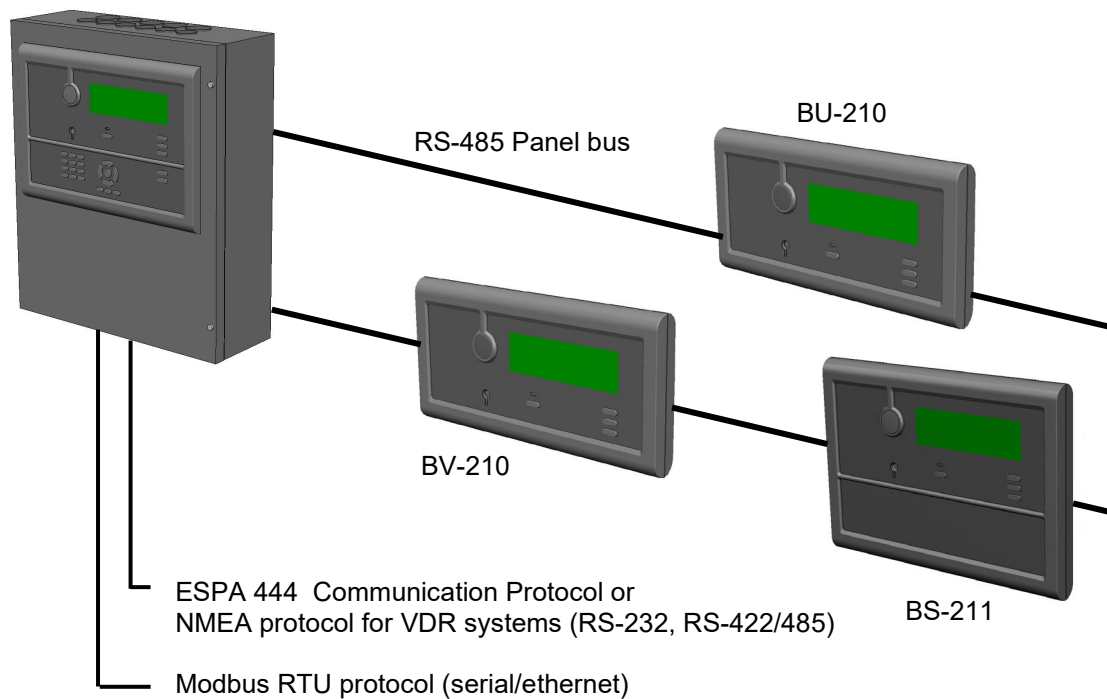
# 5. Interconnecting Panels on the Panel Bus

## 5.1 Overview

A maximum of 8 additional panels can be freely mixed and connected to the Fire Alarm Control Panel via the RS-485 panel bus, including Repeater Panels BS-211, Information Panels BV-210, Fire Brigade Panels BU-210 and Mimic Drivers BUR-200.

For information on cabling, refer to *Cable Connections*, chapter 10.1.

Fire Alarm Control Panel BS-200



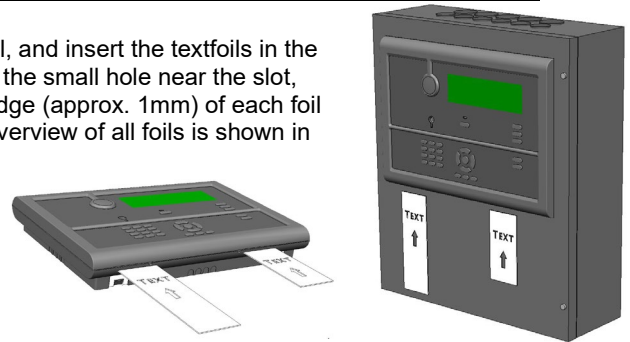
## 5.2 Cyber Security

To ensure cyber security, we strongly recommend that the Ethernet port is not connected to the public internet.

# 6. Mounting Instructions

- Find the text foils in the relevant language for the panel, and insert the textfoils in the correct locations (there are two different foils). Through the small hole near the slot, use a small screwdriver or similar to slightly bend the edge (approx. 1mm) of each foil until the edge slips behind the opening of the slot. An overview of all foils is shown in Appendix 18.1.

Refer to the relevant mounting procedure below (A, B or C), consult the drawings and follow the steps.

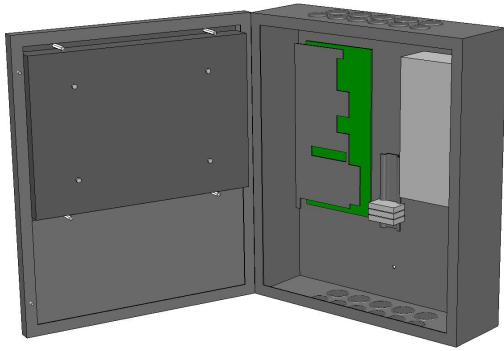


Step	<b>A) Mounting the Fire Alarm Control Panel</b> (BS-200. For information on BS-200M, see chapter 11)
<b>1A</b>	<ul style="list-style-type: none"> <li>The cabinet has 3 mounting holes located at the rear. The upper holes are of key-hole-type.</li> <li>Insert the 2 upper screws in the wall according to the drawing.</li> <li>Open the cabinet's front door and hang the cabinet onto the screws.</li> <li>Insert the lower screw, then tighten all screws.</li> </ul>
<b>2A</b>	<ul style="list-style-type: none"> <li>Place the 2 batteries inside the cabinet according to the drawing. Make sure that the battery is not in conflict with the front pane screw.</li> </ul>
<b>3A</b>	<ul style="list-style-type: none"> <li>Connect all external cables to the correct terminal points. Refer to 10.12.1</li> </ul>

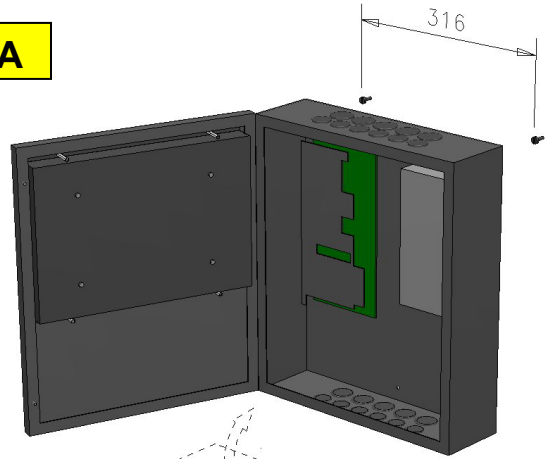
Step	<b>B) Mounting the Operator Panel separately outside a cabinet</b> (Operator Panel BS-210, an integrated part of BS-200)
<b>1B</b>	<ul style="list-style-type: none"> <li>The cabinet has 3 mounting holes located at the rear. The upper holes are of key-hole-type.</li> <li>Insert the 2 upper screws in the wall according to the drawing.</li> <li>Open the cabinet's front door and hang the cabinet onto the screws.</li> <li>Insert the lower screw, then tighten all screws.</li> </ul>
<b>2B</b>	<ul style="list-style-type: none"> <li>Unscrew the 4 screws which connect the panel to the cabinet's front door.</li> <li>Remove the Operator Panel with its bracket mounted.</li> <li>Remove the bracket from the Operator Panel.</li> <li>Disconnect the internal cable from the Operator Panel.</li> </ul>
<b>3B</b>	<ul style="list-style-type: none"> <li>For cosmetic reasons, unscrew the extended nuts from the door bracket (which the Operator Panel was fastened to), and turn the door bracket inside out, then fasten it to the cabinet's door. Note: The maritime panel BS-200M requires the use of a rubber seal (UY-108) between the door bracket and the cabinet's front door.</li> <li>Plug the holes by the four plastic studs.</li> </ul>
<b>4B</b>	<ul style="list-style-type: none"> <li>Mount the Operator Panel's bracket onto the wall.</li> </ul>
<b>5B</b>	<ul style="list-style-type: none"> <li>Connect all external cables to the correct terminal points. Refer to chapter 10.8 and 10.9</li> </ul>
<b>6B</b>	<ul style="list-style-type: none"> <li>Place and centre the lower part of the panel onto the lower part of the bracket, then simply push the upper part of the panel towards the bracket until it snaps on.</li> </ul>

Step	<b>C) Mounting all other panels</b> (Repeater Panel BS-211, Fire Brigade Panel BU-210, Information Panel BV-210)
<b>1C</b>	<ul style="list-style-type: none"> <li>Set the correct address (1-9) by means of the Rotary switch located on the rear side of the panel (refer to Addressing Panels in the next chapter).</li> </ul>
<b>2C</b>	<ul style="list-style-type: none"> <li>Mount the panel bracket onto the wall.</li> </ul>
<b>3C</b>	<ul style="list-style-type: none"> <li>Connect all external cables to the correct terminal points. Refer to chapter <b>Error! Reference source not found..</b></li> </ul>
<b>4C</b>	<ul style="list-style-type: none"> <li>Place and centre the lower part of the panel onto the lower part of the bracket, then simply push the upper part of the panel towards the bracket until it snaps on.</li> </ul>

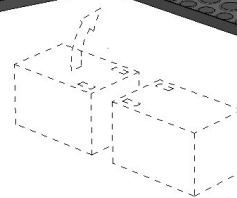
**1A**



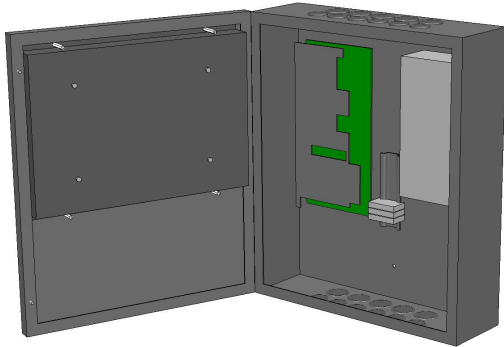
**2A**



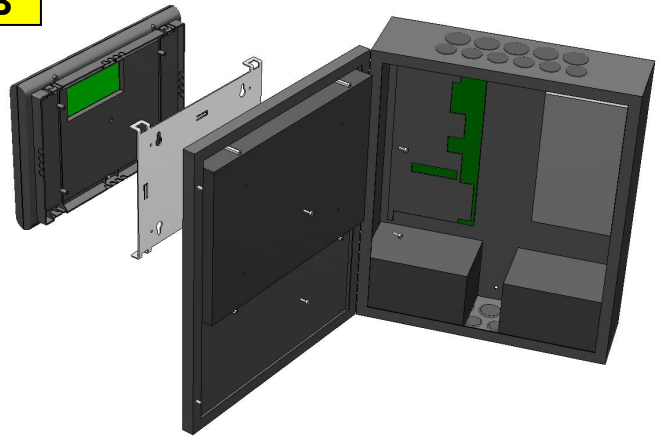
For adequate access to the inside of the panel when the door is opened, make sure that the distance between the panel's left side (front view) and the adjacent wall is approximately 30 cm.



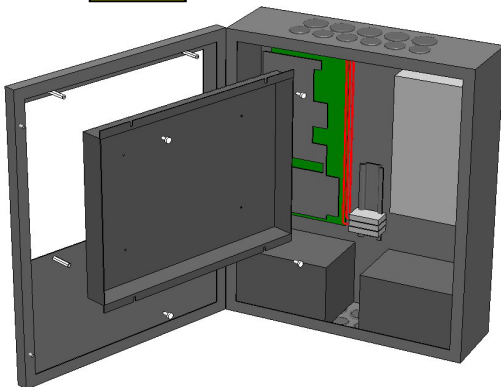
**1B**



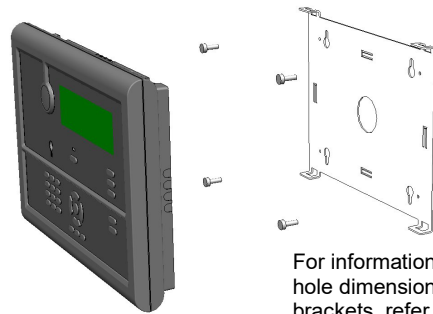
**2B**



**3B**

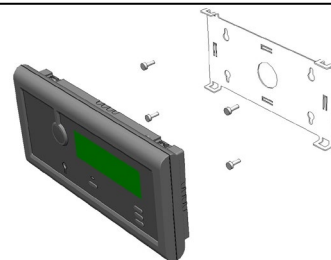


**4B**



For information on hole dimensions for brackets, refer to chapter 5.

**4C**

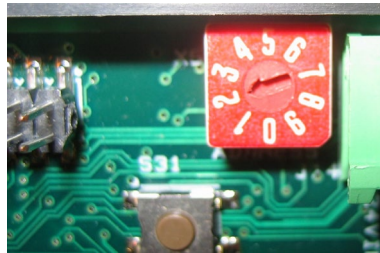


## 7. Addressing Panels

---

### 7.1 Rotary Switch on Panels

All Autroprime panels (BS-200, BS-200M, BS-211, BU-210, BV-210) must be assigned addresses by means of the rotary switch located on the rear side of the panel. The addresses must be set before mounting.



### 7.2 Addressing the Fire Alarm Control Panel (BS-200)

The main Fire Alarm Control Panel (BS-200, BS-200M) with the integrated Operator Panel BS-210 must always have address 0 (the arrow pointing straight downwards). Address 0 is preset from the factory.

Note that only 1 Operator Panel BS-210 (either as an integrated part of Fire Alarm Control Panel BS-200 or as a separate panel mounted outside a cabinet) can be connected to the panel bus.

### 7.3 Addressing other Panels

All other panels connected to the RS-485 Panel Bus, including Repeater Panel BS-211, Fire Brigade Panel BU-210, Information Panel BV-210 and "Larmlagringspanel BU-211" have addresses from 1-9.

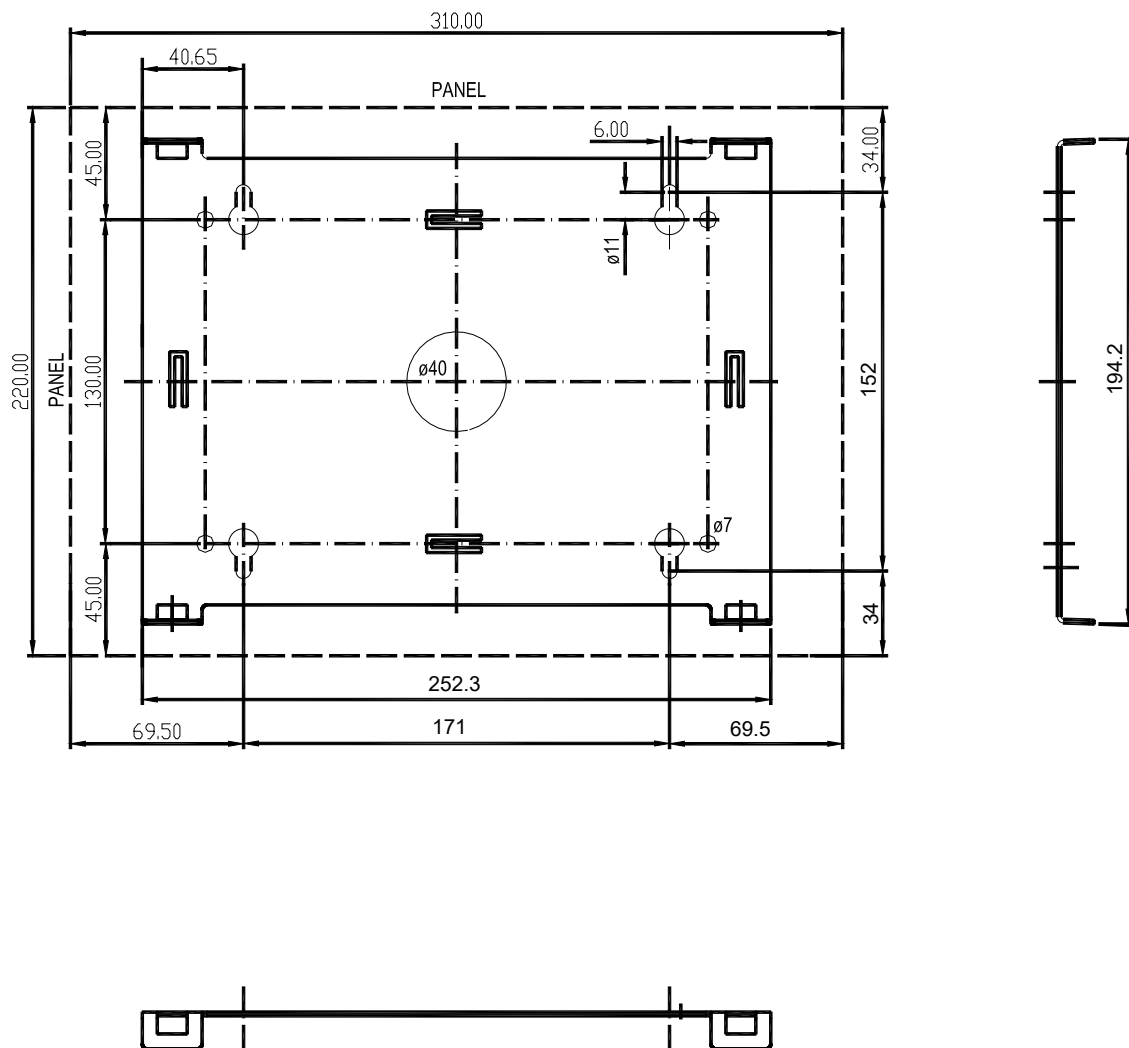
### 7.4 Addressing Mimic Drivers

To address the Mimic Drivers the X2 Panel Bus Address Switch is used. If S2.7 is set to Master, X2 sets the panel bus address. If S2.7 is set as slave, X2 sets the RS-485 daisy-chain slave address. The range for the switch is 1-9.

# 8. Mounting Drawings

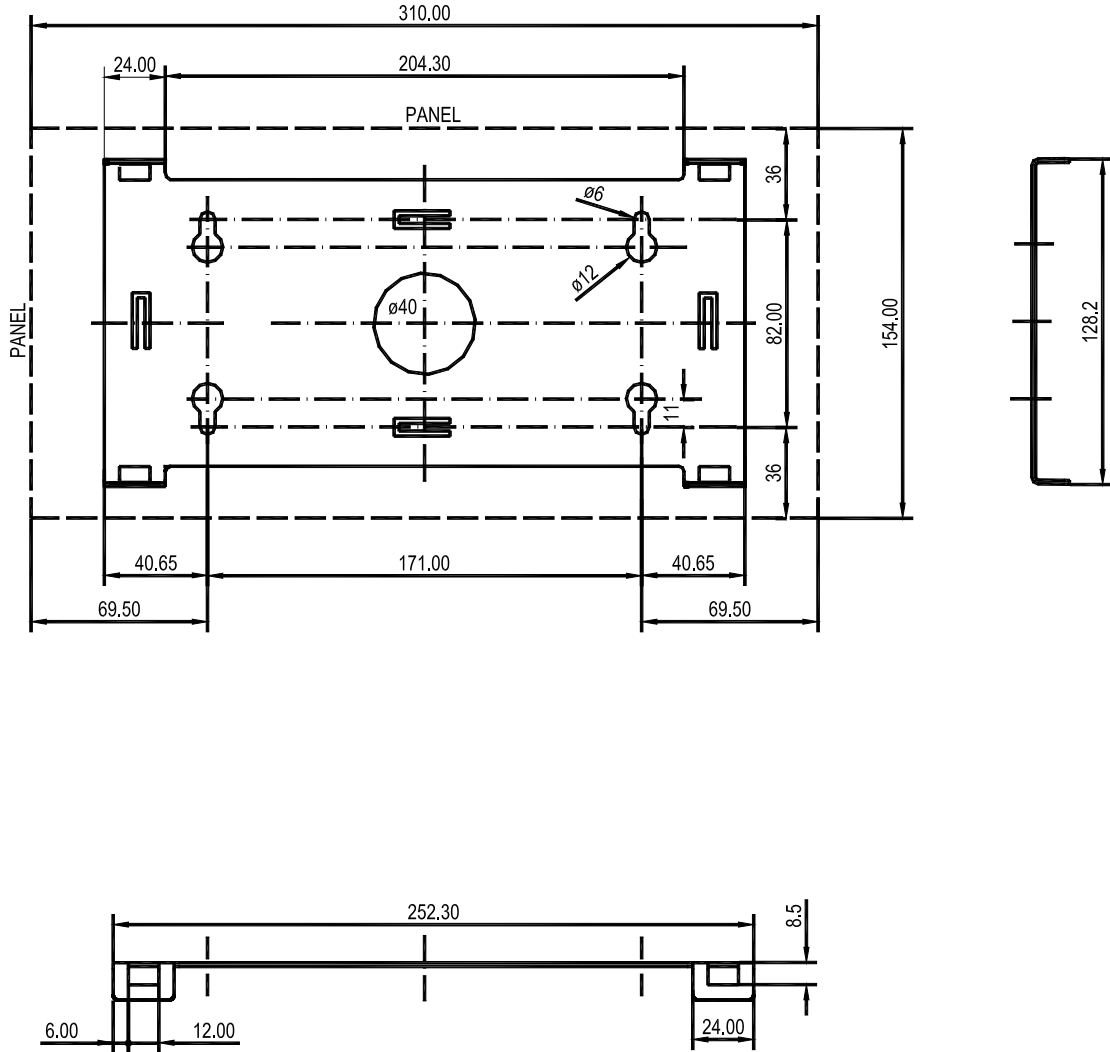
## 8.1 Hole Dimensions - Mounting Bracket for BS-210 and BS-211

The Operator Panel BS-210 (an integrated part of the Fire Alarm Control Panel BS-200) can be surface mounted onto a bracket on the wall outside the Fire Alarm Control Panel's cabinet.



## 8.2 Hole Dimensions - Mounting Bracket for BU-210, BU-211 and BV-210

The Repeater Panel (BS-211), Fire Brigade Panel (BU-210), Information Panel (BV-210) and "Larmlagringspanel" BU-211 are to be surface mounted onto a bracket on the wall (or mounted inside a 19" rack or console).



# 9. Cable Specifications

## 9.1 Calculating the Current Consumption

**NOTE:**

As a general rule, the maximum current consumption for all loop units on a detection loop must not exceed the configured current consumption.

In the system service menu (Unit Configuration/Detection Loops) it is possible to limit the maximum possible current consumption for a selected detection loop. The following different default settings are possible: 100mA, 150mA, 200mA, 250mA, 300mA, 350mA and 400mA.

The current consumption per device is found in the data sheets of the respective units.

Always calculate for worst case, normally during alarm condition where LEDs, sounders, strobes are activated.

## 9.2 Tables

The tables in this chapter give the wire dimension in *square* millimeters or AWG (American Wire Gauge) for various cable lengths. Please refer to national/local standards for your country. Data may change. Please check with your local manufacturer.

If multi-stranded cables are used, cable crimps shall be used.

### 9.2.1 Table for Low Current Detectors and I/O units

Detection Loop current setting (mA)	Max cable resistance (ohm)	Cable length (m) for AWG 20 (0,5mm <sup>2</sup> )	Cable length (m) for AWG 18 (0,75mm <sup>2</sup> )	Cable length (m) for AWG 17 (1,0mm <sup>2</sup> )	Cable length (m) for AWG 15 (1,5mm <sup>2</sup> )	Cable length (m) for AWG 13 (2,5mm <sup>2</sup> )
100	105	1500	2250	3000	4500	7500
150	58	829	1243	1657	2486	4143
200	35	500	750	1000	1500	2500
250	21	300	450	600	900	1500

## 9.2.2 Table for High Current Detectors and I/O units

Detection Loop current setting (mA)	Max cable resistance (ohm)	Cable length (m) for AWG 20 (0,5mm <sup>2</sup> )	Cable length (m) for AWG 18 (0,75mm <sup>2</sup> )	Cable length (m) for AWG 17 (1,0mm <sup>2</sup> )	Cable length (m) for AWG 15 (1,5mm <sup>2</sup> )	Cable length (m) for AWG 13 (2,5mm <sup>2</sup> )
100	112	1600	2400	3200	4800	8000
150	78	1114	1671	2229	3343	5571
200	55	786	1179	1571	2357	3929
250	40	571	857	1143	1714	2857
300	30	429	643	857	1286	2143
350	23	329	493	657	986	1643
400	18	257	386	514	771	1286

## 9.2.3 Onboard I/O and Power

	Maximum resistance / capacitance	Wire Dimensions (examples)		Maximum cable length	Remarks
	( $\Omega$ / $\mu$ F)	(mm <sup>2</sup> )	(AWG)	(m)	
Inputs, Monitored				10m	
Inputs, Non-monitored				50m	
Output, Monitored (Alarm Sounder Circuits)	- -	2 x 1,5 2 x 0,78	15 18	- -	Determined by cable loss (0,5A maximum load)
Output, Relay				-	
Output, O.C				100m	
Battery	- - -	2 x 2,5 2 x 1,5	13	5 m 3m	Maximum battery cable length is 5m Maximum cable resistance is 0.05 ohm
Mains	-	3 x 1,5	15	-	-



## 9.2.4 Panel Bus and Serial Port

<b>Panel Bus</b>	Capacitance pr. 1km cable Capacitance < 200 nF Capacitance < 100 nF	Maximum cable segment length < 600 m < 1000 m Cat 5 or better Cable shall be twisted pair, characteristic impedance 100 ohm.
<b>Panel Bus</b>  <b>Power supply</b>	2-wire 24V supply: <u>Calculation vs power loss</u> The power loss in these cables has to take into consideration the maximum current at startup due to the Lamp test, which is 300 mA. Cable loss shall be limited to ensure at least 18V supply to each panel in this situation.	
<b>RS 232</b>	For cabinet internal connections only, limited to 10m. For USCG installations the length is limited to 6m (20 feet).	
<b>RS485/422</b>	Shielded cable is required if cable is >3m. Cable shall be twisted pair, 100 ohm characteristic impedance (Cat 5 cable recommended). Maximum length 1000 meters. For USCG installations the length is limited to 6m (20 feet).	

## 9.3 General Considerations

The maximum cable length is determined by both cable loss and the at-site designed power consumption. Increasing current implies a demand for less cable loss, hence increased copper area or reduced cable length.

Note: The current consumption of LED indicators (on detectors or loop units) in the event of an alarm has to be included.  
The current consumption of other loads has to be included (for example, loads applied to the output connection of detectors).  
Units with varying current consumption, like sounders or strobe devices have to be included according to the configured setting, for example, the sound level may vary.

A 25% margin should be added for safety, to ensure correct operation in case of excessive current consumption, degraded connections (ageing), etc.

## 9.4 The Panel Bus Cable Requirements

### 9.4.1 Characteristic Impedance and Signal Attenuation

When dealing with specification of the Panel Bus cable, the important issues are the characteristic impedance and the attenuation of the signal at approximately 100 KHz. These parameters become more important the longer the cable is.

The parameters are defined by the geometry of the cable. Proper characteristic impedance is best obtained by a cable with twisted pairs. For short communication paths (less than approximately 100m) the characteristic impedance is not that important, and attenuation is low enough for most cables. However, the twisting improves the cable's ability to withstand external interference, and a twisted cable should be preferred when the cable runs in the vicinity of power cables and power devices as generators, transformers etc.

Longer paths require twisted pair cable and 100 ohms characteristic impedance, Cat 5 or similar cable intended for RS485 transmission.

The characteristic impedance shall be (at 100KHz:) 100 ohm +/- 15 ohm. Note that the characteristic impedance has nothing to do with the resistance of the cable. It is a property related to high-frequency transmission, regardless of its length. Typical examples are antenna cable (300 ohm), video cable (75 ohm).

Attenuation is defined by the wire to wire capacitance mostly, as long as the wire is at least 0.5mm<sup>2</sup>. The total attenuation of the cable length must not exceed 9 dB @ 100KHz. If attenuation is not specified, normally the capacitance is defined. The capacitance shall not exceed the specified value in order to achieve the total communication length.

### 9.4.2 High-voltage and Noisy Environments

In high-voltage environments (power plants, electrical machinery etc.) it is recommended that shielded cable is used. In this case, the shielding of the cable should only be connected at one end to avoid ground loops. If high-frequency noise is expected (>10MHz), then both ends should be connected. This may be present close to radio transmitting equipment or similar.

### 9.4.3 Cable Length and Power Consumption

The maximum cable lengths are defined for each segment between panels. Each panel has a built-in electrical repeat of the signal. Power loss, however, is defined from the maximum power consumption along the cable.

Note: RS-485 Panel Bus contains both the RS-485 signalling and the redundant power to all panels. Two four pair cable will be suitable.

Note: For redundancy, the power supply has to be supplied by two physically separated cables in a loop structure to maintain connection in case of damage to one cable. See drawing (Simplified cable routing between panels).

NOTE: If separate power supplies are installed locally to source the panels, the following shall be ensured:

- The local power supply shall be galvanically isolated from its local power source and earth.
- The reference (0V) of this power shall be connected to 0V of the Fire Alarm Control Panel to ensure same reference for all signaling nodes. As described in the tables below, one of the pairs may be used for this.

In this case, an earth fault at this panel's power supply will be signaled as a global earth fault by the Fire Alarm Control Panel.

The local power supply to the panel should include a local backup source in case of loss of mains supply. In some installations it may be required (by local regulations) that the power supply includes a monitoring of internal condition in accordance to EN-54-4, and that it signals a fault if present. The wires from the power supply's fault relay output has to be connected to J23, replacing the jumper. A break in this circuit path makes the panel signal a fault in the system. Total loss of power will be signalled in the system as a missing panel.

	Panel 1 (BS-200)	Cable 1 From Fire Alarm Control Panel to external panel		Panel 2 (BS-210/ BU-210 etc)
J4/9	Panel Bus In A	Pair 1+	J14/5	A_1
J4/10	Panel Bus In B	Pair 1-	J14/6	B_1
J1/5	+24V out 1	Pair 2 (both wires)	J14/1	24V IN 1
J1/6	0V out 1	Pair 3 (both wires)	J14/2	0V IN 1
	Not connected	Pair 4		Not connected

	Panel 2 (BS-210/BU-210 etc)	Cable 2a From external panel (n) to next external panel (n+1)	Panel 3 (BS-210/ BU-210 etc)	Terminals
J13/5	A_2	Pair 1+	A_1	J14/5
J13/6	B_2	Pair 1-	B_1	J14/6
J13/1	24V IN 1	Pair 2 (both wires)	24V IN 1	J14/1
J13/2	0V IN 1	Pair 3 (both wires)	0V IN 1	J14/2
	Not connected	Pair 4	Not connected	

	Panel 3 (BS-210/BU-210 etc)	Cable 2b Redundant Power between external panels	Panel 1 (BSA-200/J1)	Terminals
	Not connected	Pair 1	Not connected	
J13/3	24V IN 2	Pair 2 (both wires)	24V IN 2	J14/3
J13/4	0V IN 2	Pair 3 (both wires)	0V IN 2	J14/4
	Not connected	Pair 4	Not connected	

	Panel 2 (BS-210/BU-210 etc)	Cable 3 From last external panel and back to Fire Alarm Control Panel	Panel 1 (BS-200)	Terminals
J13/5	A_1	Pair 1+	Panel Bus Out A	J4/11
J13/6	B_1	Pair 1-	Panel Bus Out B	J4/12
J13/3	24V IN 2	Pair 2 (both wires)	+24V out 2	J1/7
J13/4	0V IN 2	Pair 3 (both wires)	0V out 2	J1/8
	Not connected	Pair 4	Not connected	

See drawing, chapter 10.11.

## 9.5 Calculation of Power Consumption and Cable Loss

The fuses determine the maximum power load. The 24V cabling should be dimensioned according to the power consumption and the smallest voltage during load.

### CAUTION



Sourcing of power shall only be supplied via the fused outputs (+24V Out 1- and Out 2) from the Fire Alarm Control Panel. Connecting to battery or charger is not allowed as the control of the charger voltage and current will become malfunctional.

## 9.6 Power Supply and Battery Capacity

The battery capacity must be calculated according to the total power consumption all units require in case no mains power is supplied. Note that national/local requirements for battery backup may vary.

### General Rules

- Add all power loads in the Quiescent condition. The total current consumption should then be multiplied with the required hours of battery backup (typically 24 hours).
- Then add the additional load in Alarm condition. As above, multiply by the hours required for this condition (typically 0,5 hours)

The total required battery capacity which is now found needs a margin of about 15 % for the life cycle of the battery.

In addition, the total current supplied by the fuses +24V Out1 and +24V Out2 shall be safely below the 1.0A limit. The available total current from the charger is 5,1A, and care must be taken to ensure that the total charging current together with the overall load does not exceed 5,1A. Also, the charging current available shall be capable of charging the batteries fully within 24 hours.

### Example

(24 hours Quiescent condition + 0,5 hours Alarm condition)

Consumers	Quiescent (mA)	Alarm (mA)	Quiescent 24 hours (Ah)	Alarm 0,5 hours (Ah)	Total (Ah)
BS-200	200	310	4,80	0,16	4,96
200 detectors	60	90	1,44	0,05	1,49
30 loop units	9	180	0,22	0,09	0,31
Panel Bus					
BU-210	20	60	0,48	0,03	0,51
BV-210	20	60	0,48	0,03	0,51
Sounders					
Output 1, 10 pcs	0	200	0	0,10	0,10
Output 2, 10 pcs	0	200	0	0,10	0,10
External load	100	200	2,40	0,10	2,50
			9,82	0,66	Total: 10,48Ah
			15% margin		~12Ah

# 10. Cable Connections

## 10.1 Cabling - Overview

Consult the drawings on the next pages and follow the procedure below.

NOTE: For specific information on the installation and cable connections for *maritime* installations, refer to chapter 11.

Fire Alarm Control Panel (BS-200, BS-200M)

- Insert the rubber glands (delivered with the panel) into the suitable cable inlets at the top. This should be done regardless of whether the cables are to be fed through the cable inlets at the top or bottom. If the external cables are to be fed from the bottom, remove the knockouts from the cable inlets that are to be used. Note: If the cables are fed from the bottom, batteries cannot be placed in the cabinet.
- Feed all the external cables into the cabinet through the suitable cable inlets.
- Fasten the cable by strips to the rear of the panel.
  
- Refer to *Description of Terminal Points – Main Board*, chapter 10.8.
- Connect the detection loop cables to the correct terminal points.
- Connect the panel bus cables to the correct terminal points (if several panels are interconnected).
  
- Interconnect the batteries with the small cable delivered with the cabinet (see drawing).
- Connect the internal temperature sensor cable to the correct terminal points (see drawing), then fasten the sensor to the battery with a piece of tape.
  
- For information on the connection of other peripheral units, refer to *Description of Terminal Points – Main Board*, chapter 10.8



\*NOTE: In the fixed mains wiring to the panel a two-pole disconnect device must be provided to disconnect the equipment from the power supply when servicing is required. Normally, this switch is a two-pole automatic fuse located in the fuse terminal box at the premises. This fuse location must be marked "Fire Alarm System". The isolation of the mains wiring must be of either inflammability class V2 or the wiring has to be fixed to the cabinet separated from all other cables.

**All other panels** (Operator Panel BS-210, Repeater Panel BS-211, Fire Brigade Panel BU-210, Information Panel BV-210)

*If in-wall cabling is used*, feed the external cables through the hole of the bracket before mounting the panel (the cables should preferably stick out approximately 25cm from the surface of the wall).

or;

*if on-wall cabling is used*, remove the appropriate knockouts on the top, bottom, left or right hand side of the panel.

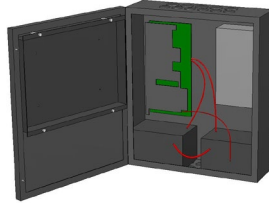
Before mounting the panel on the bracket, connect all external cables to the correct terminal points (the panel bus cable). Refer also to

*Description of Terminal Points – Main Board*, chapter 10.8

- Verify that all cables are correctly and properly connected before connecting the mains cable and the internal battery cables.
- Verify that the switchsetting on dipswitch S2.4 is correct according to the panel in question (land market/BS-200 or maritime market BS-200M). Refer to dipswitch S2.4.

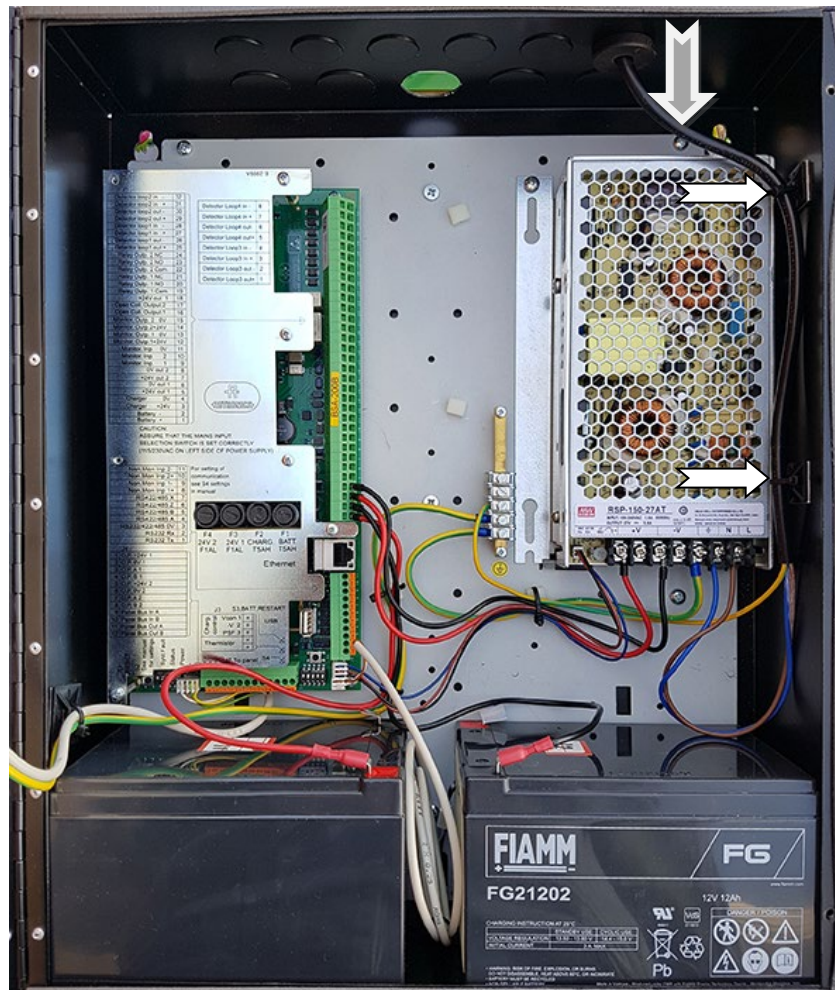
Switch	Description
S2.4	Market selection. Select between Land (BS-200) and Maritime (BS/200M) Land: S2.4 ON Maritime: S2.4 OFF

## 10.2 Overview Internal Cable Layout



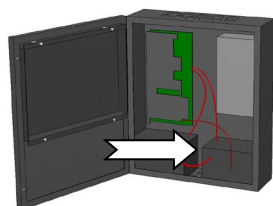
NOTE: For specific information on the installation and cable connections for *maritime* installations, refer to chapter 11.

The mains cable (black cable) must be fastened with strips on the right hand side of the cabinet as shown (see arrows).





## 10.3 Battery Connections

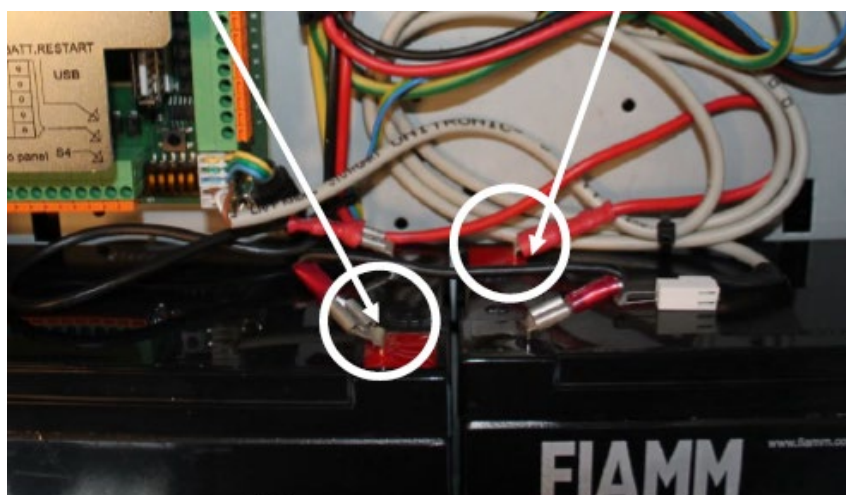


NOTE: For specific information on the installation and cable connections for *maritime* installations, refer to chapter 11.

- Connect the black cable from the connector on the main board to the minus pole (black) on the battery on the left side.
- Connect the red battery cable to the plus pole (red) on the battery on the right hand side.

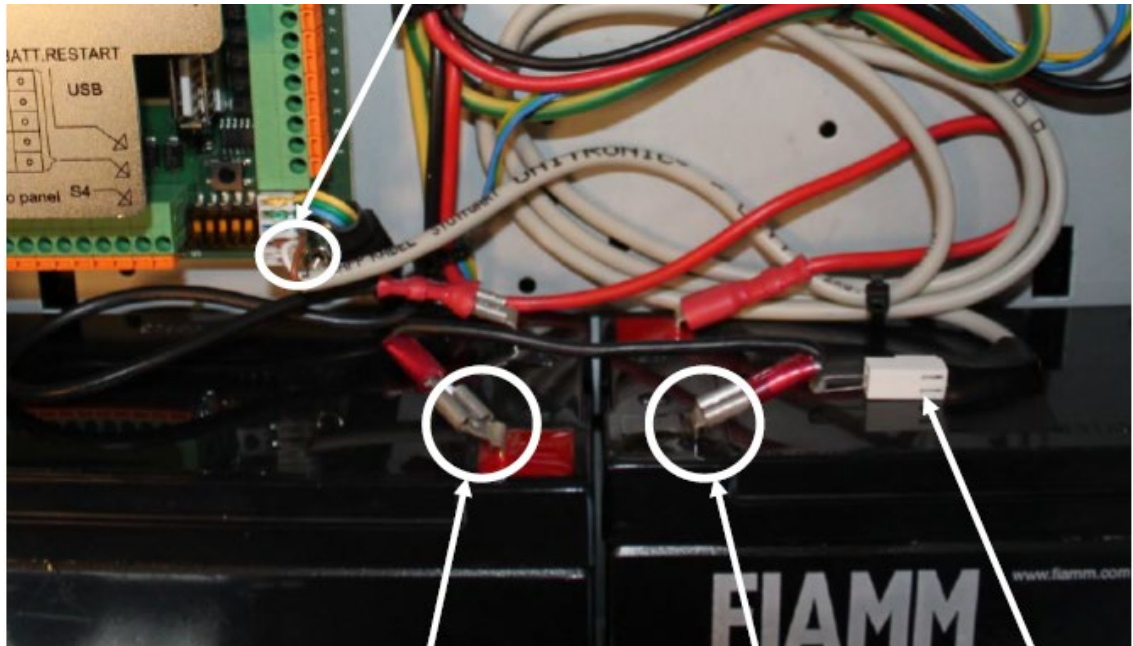
*Black wire to minus pole*

*Red wire to plus pole +*



Fasten the temperature sensor to the battery with a piece of tape as shown.

- Connect the internal temperature sensor cable to the correct terminal points.



*Plus pole +*

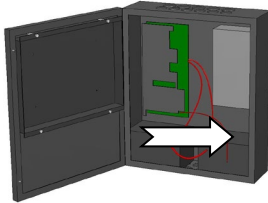
*Minus pole -*

*Temperature  
Sensor*

- Interconnect the other plus pole and minus pole on the batteries with the cable delivered with the cabinet.

## 10.4 Connections to Power Supply / Mains Power

NOTE: For specific information on the installation and cable connections for *maritime* installations, refer to chapter 11.

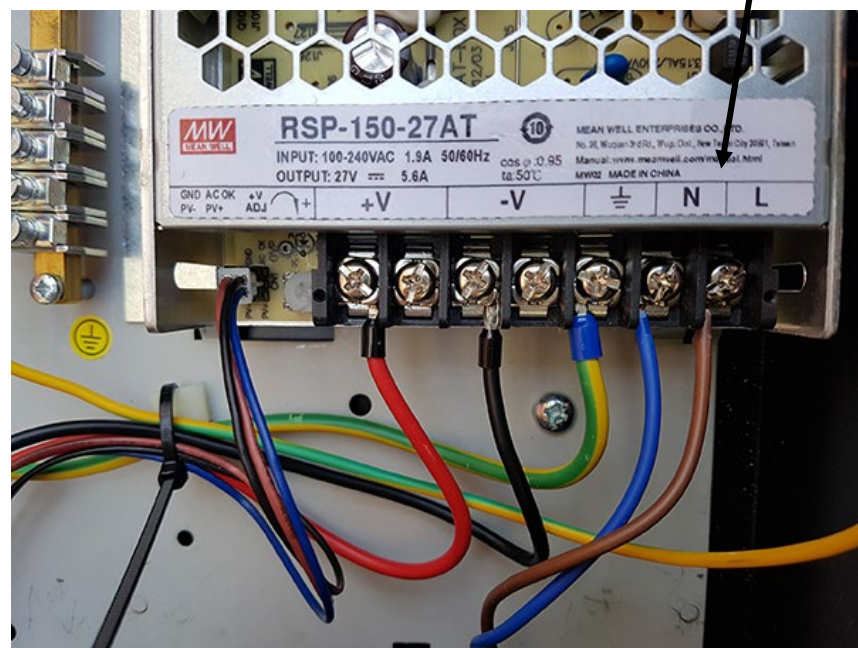


Each terminal point is indicated on the power supply's label straight above the terminal points. For protection purposes a plastic cover is placed on top of the terminal points.

- Connect the mains power cable to the correct terminal points (L and N)

Note that the isolation must be kept on the mains cable close up to the terminal points (L and N).

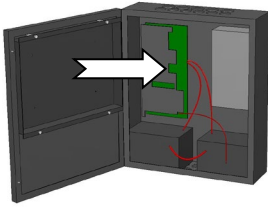
*Mains Power  
Terminal Points  
(L and N)*



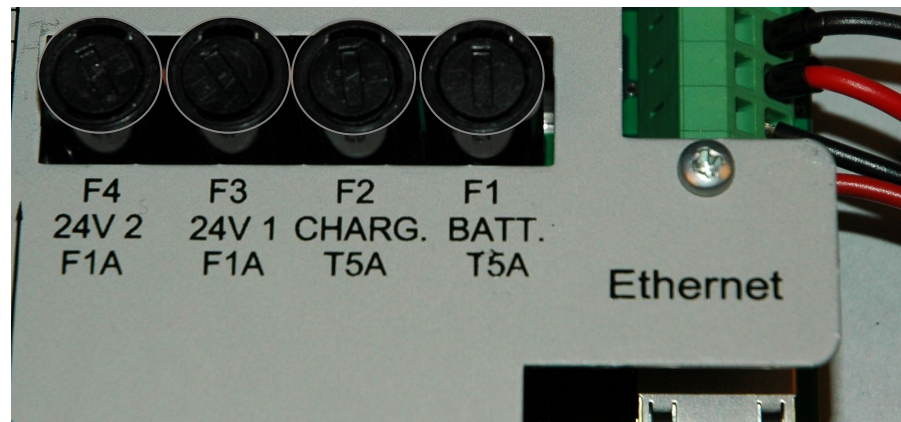
### Caution

Do NOT touch the potentiometer labeled V, ADJ unless the charger needs to be calibrated (see chapter 17, Charger Calibration).

## 10.5 Fuses



The Fire Alarm Control Panel is provided with 4 fuses, easily accessible from the main circuit board inside the cabinet.



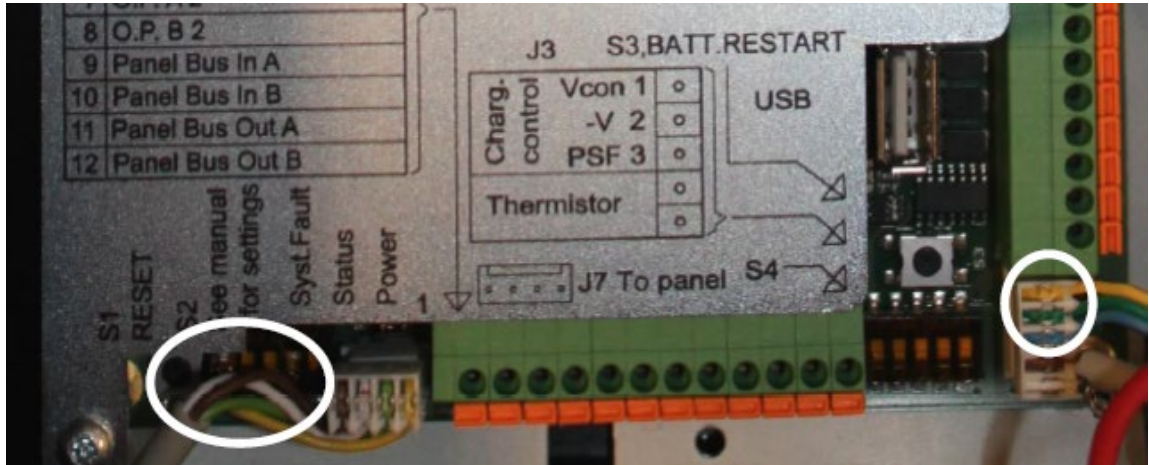
Fuse	Value	Description
F4	1A Fast	24V output 2. Used to power external equipment. Typical application will be to power the panel bus +24V 2
F3	1A Fast	24V output 1. Used to power external equipment. Typical application will be to power the panel bus +24V 1
F2	5A Slow	Battery charger fuse.
F1	5A Slow	Battery connection fuse. Used to cut the connection between the battery and the charger in the event that the battery shorts out.

## 10.6 Connection of External DC Power

The default power configuration for Autoprime is mains power (230V/110V) and 24V batteries. If mains power not is available, it is possible to power the system with single or double external 24V DC.

External DC power for Autoprime will not be in accordance with EN54 part 4 unless the external power supply is approved for EN54 part 4.

To enable external 24V power solution for Autoprime, BSA-200A dip switch S2.3 must be set ON, and connector on J3.1 – J3.3 must be removed.



When a single 24V DC input is used, it shall be connected to J1.3/J1.4

When a second 24V DC input is available, it shall be connected to J1.1/J1.2, and dip switch S2.5 must be set in ON position.

Note that there is no monitoring whether external 24 V is connected on J1.3/J1.4 or J1.1/J1.2 or both. All monitoring related to battery and fuses F1 and F2 is disabled. Fuses F1 and F2 must be checked manually at regular time intervals to ensure that the system is working properly.

Whenever dipswitch S2.3 or S2.5 is changed the system must be HW rebooted to read the new settings. Reboot by pressing the HW reset button S1 or powering the system off and then on.

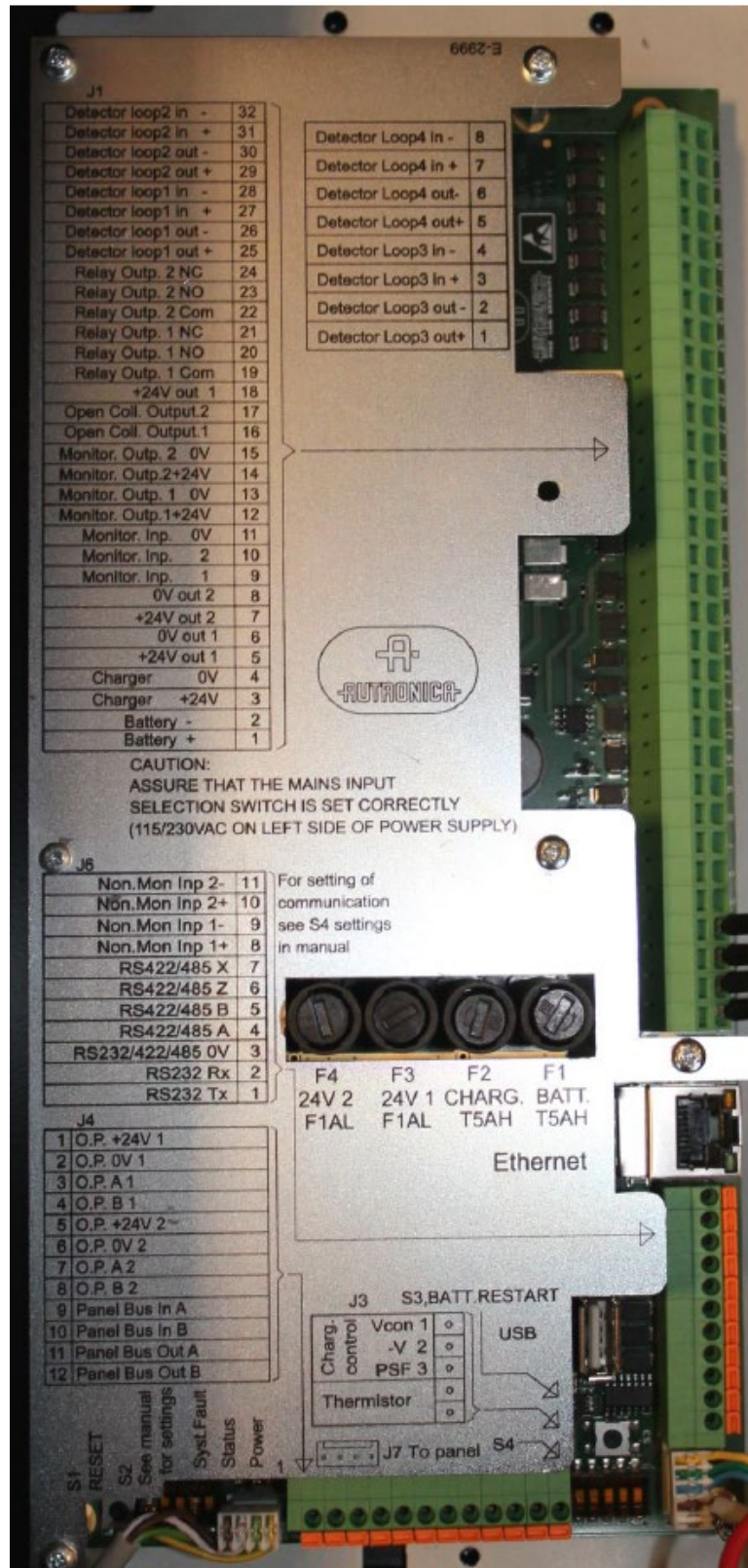
When the system has started, the configuration must be saved and the system restarted.

If there is a conflict between the actual power source and the switch settings on dipswitch S2.3/S2.5, the fault message “Power source conflict” will appear.

If there is a conflict between the configuration and the settings on switch S2.3, the fault message “Power source config conflict” will appear. Voltage for the external inputs should be a standard 24 VDC within the range of 22 – 28 VDC. The system will give the user a warning if the external power is outside system limits.



## 10.7 Terminal Points Overview – Main Board



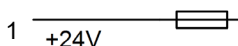
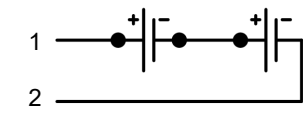
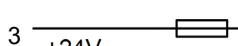
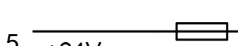
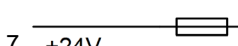
## 10.8 Description of Terminal Points – Main Board

NOTE: For specific information on the installation and cable connections for *maritime* installations, refer to chapter 11.

### 10.8.1 Main Terminal Block J1

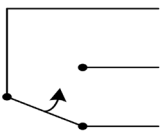
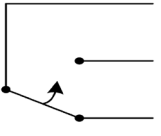
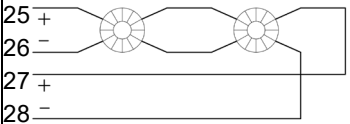
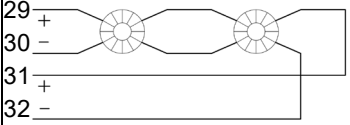
The main spring-loaded connector block J1 is capable of up to 4mm<sup>2</sup> solid core cables or up to 2.5mm<sup>2</sup> multi-stranded core cables. If multistranded cables are used, cable crimps should be used.

Note that first connector J1.1 is physically located at the lower end of the terminal block (refer to the picture on the previous page).

J1-	Description			Internal	External
1	Battery +	Fuse F1, T5AH	For connection of standby battery	1  +24V	
2	Battery -			2 0V	
3	Charger +24V	Fuse F2, T5AH	For connection of internal charger	3  +24V	Battery charger or 24V supply
4	Charger 0V			4 0V	
5	+24V out 1	Fuse F3 F1AL. Max 1A (includes output 18)	Power to panel bus. (24V1).	5  +24V	
6	0V out 1			6 0V	
7	+24V out 2	Fuse F4 F1AL. Max 1A	Power to panel bus (24V2).	7  +24V	
8	0V out 2			8 0V	
9	Monitored Input 1		User configurable input. Monitored for open and short circuit. 2k resistor to 0V. Activates at 910 ohm to 0V.		

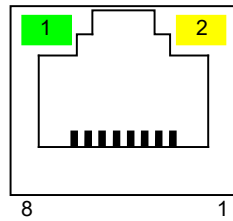
J1-	Description			Internal	External
10	Monitored Input 2		User configurable input. Monitored for open and short circuit. 2k resistor to 0V. Activates at 910 ohm to 0V.		
11	Monitored Input 0V		0V reference for Monitored Inputs 1 & 2		
12	Monitored Output 1 +24V	0,5 A resettable fuse.			
13	Monitored Output 1 0V				
14	Monitored Output 2 +24V	0,5 A resettable fuse.	Default configured as Fire Alarm Device Output. Monitored for short and open circuit. 2kohm end resistor. Max 500mA.		
15	Monitored Output 2 0V				
16	Open Collector Output 1		User configurable Open collector output. Non-monitored Switches to 0V at activation. Max.0,5A		
17	Open Collector Output 2		User configurable Open collector output. Non-monitored Switches to 0V at activation. Max.0,5A		
18	Auxiliary1 +24V out	Same fuse as J1.7	Supply voltage for loads connected to Open collector outputs 1 and 2. Max.1A		



J1-	Description			Internal	External
19	Relay Output 1 Com				
20	Relay Output 1 NO				
21	Relay Output 1 NC		Default configured as Fire Alarm Routing Equipment. (FARE) Potential free change-over contact. Non-monitored. Max. 30VDC/1A		
22	Relay Output 2 Com				
23	Relay Output 2 NO				
24	Relay Output 2 NC		Default configured as (FWRE) Fault Warning Routing Equipment. Potential free change-over contact. Non-monitored. Max.30VDC/1 A	(non-energized)	
25	Detection Loop1 out +		For connection of Max 127 detectors/ loop units		
26	Detection Loop1 out -				
27	Detection Loop1 in +				
28	Detection Loop1 in -				
29	Detection Loop2 out +		For connection of Max 127 detectors/ loop units		
30	Detection Loop2 out -				
31	Detection Loop2 in +				
32	Detection Loop2 in -				

Connection of additional loops, refer to chapter 11.2.2

## 10.8.2 Ethernet RJ45 connector J2



LED 1	Link/Activity LED
LED 2	If ON, 100MBit/s, if OFF, 10MBit/s

## 10.8.3 Power Supply Control and Battery Temperature Measurement J3

J3-	Description
1	
2	A cable from J3 is connected to the power.
3	
4	A wire goes from the thermistor to the battery.
5	

## 10.8.4 Auxiliary Terminal Block J4

The auxiliary spring-loaded connection block J4 is capable of cables up to 0,5mm<sup>2</sup> single or multi stranded cables. If multi stranded cables are used, cable crimps should be used.

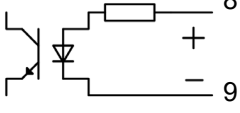

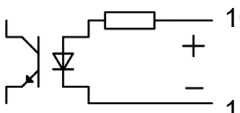
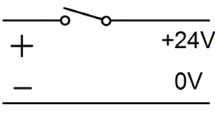
J4-	Description	
1	O.P. +24V 1	
2	O.P. 0V 1	
3	O.P. A 1	
4	O.P. B 1	
5	O.P. +24V 2	
6	O.P. 0V 2	
7		Connections to Operator Panel (Return/Input for redundancy)
8	O.P. B 2	Connections to panel bus. Connects from unit to unit. (Return/Input for redundancy)
9	Panel Bus in A	
10	Panel Bus in B	
11	Panel Bus Out A	
12	Panel Bus Out B	

## 10.8.5 USB Host J10



The USB host connector mates with USB type A connector. This connection is used for saving and loading configurations and software upgrades.

## 10.8.6 Auxiliary Terminal Block J6

J6-	Description		Internal	External
1	RS-232 TX	External Interface Optional data lines		
2	RS-232 RX			
3	RS-232/422/485 0V			
4	RS-422/485 A			
5	RS-422/485 B			
6	RS-422/485 Z			
7	RS-422/485 X			
8	Non-monitored Input 1 +	User configurable input Activates on closing contacts between 24VDC and 0V. Observe polarity		
9	Non-monitored Input 1 -			
10	Non-monitored Input 2 +	User configurable input Activates at application of 24VDC. Observe polarity		
11	Non-monitored Input 2 -			

## 10.8.7 User Configurable Inputs

User configurable inputs can be used for

- Day/Night input
- User Configurable input
- Morse input
- Mute Fire Alarm Device (FAD) input
- Reset in
- Silence in
- Fire Alarm Routing Equipment (FARE) feedback (signal from fire brigade)
- Activate all alarms
- Monitored Fault Warning Routing Equipment, FWRE

## 10.8.8 User Configurable Outputs

User configurable outputs can be used for

- User Configured output (or General output)
- Reset Out
- Silence Out
- Disable Out
- Silent Alarm Out
- Small Alarm Out
- Fire Alarm Device, FAD
- Fire Alarm Routing Equipment, FARE
- Fault Warning Routing Equipment, FWRE

## 10.9 Cable Connections inside the Cabinet (Fire Alarm Control Panel)



### CAUTION

Do not connect the 24V wire to the terminal points used for communication (A and B terminals). This will lead to malfunction of the communication circuits.

### 10.9.1 Connections (J7) for a standalone cabinet with integrated BS-210

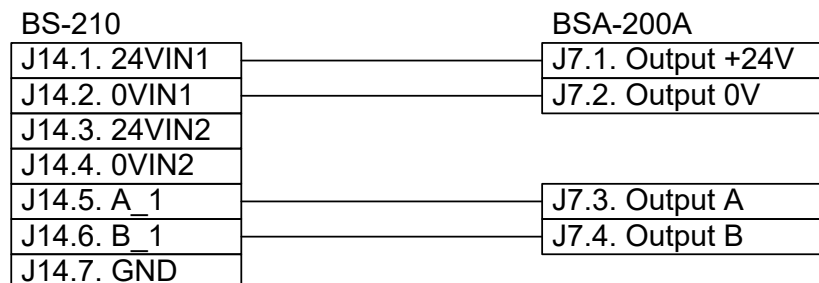
Delivered from the factory, the cables from the integrated operator panel (BS-210) in a standalone cabinet are connected to connector J7.

As the operator panel BS-210 is integrated in a standalone cabinet, redundancy is not required.

#### Note:

From the factory, the default configuration of the panel connection (Service Menu/System Settings/"Set Operator Panel connection") is set to "J7, Operator Panel" (connector

#### Standalone cabinet, with integrated BS-210



## 10.9.2 Connections (J4) for a cabinet with external BS-210 and no external panel bus

If the Operator Panel BS-210 is to be placed outside a cabinet, and no external panel bus (with additional panels) is to be connected to the cabinet, the Auxiliary terminal connector J4 must be used.

**Note:**

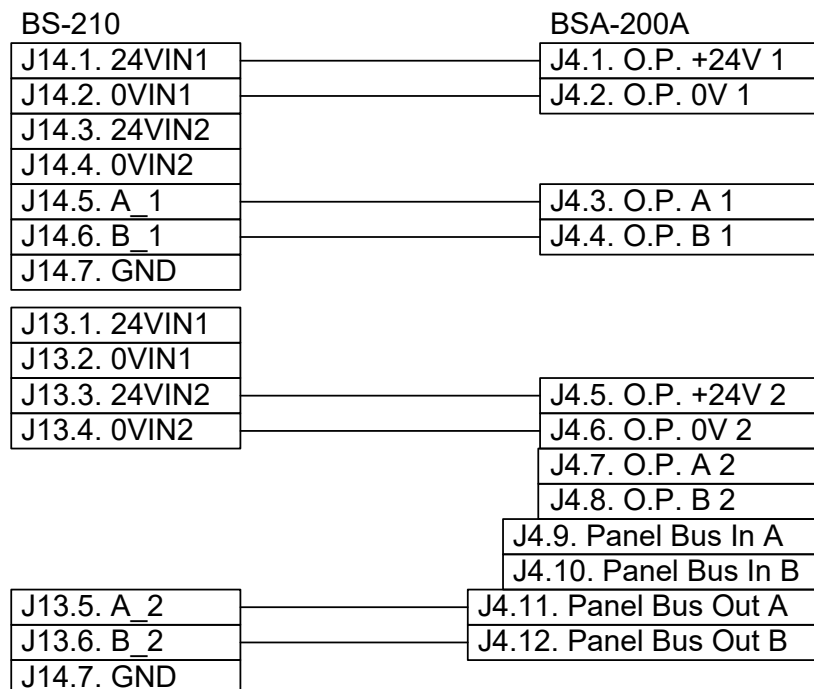
From the factory, the configuration is by default prepared for a standalone panel with integrated BS-210.

*If the Operator Panel BS-210 is to be placed outside the cabinet and no external panel bus is to be connected to the cabinet, the configuration of the panel has to be changed during commissioning in order to achieve redundancy and fault monitoring of the panel bus.*

**Configuration change:**

The configuration of the panel connection (Service Menu/System Settings/"Set Operator Panel connection") must be set to "J4, Auxiliary terminal block" (connector J4) during commissioning/reconfiguration.

### Cabinet with external BS-210, no external panel bus



### 10.9.3 Connections (J4) for a cabinet with integrated BS-210 and external panel bus

If the cabinet has an integrated operator panel BS-210 and an external panel bus (with additional panels) is to be connected to the cabinet, the Auxiliary terminal connector J4 must be used.

**Note:**

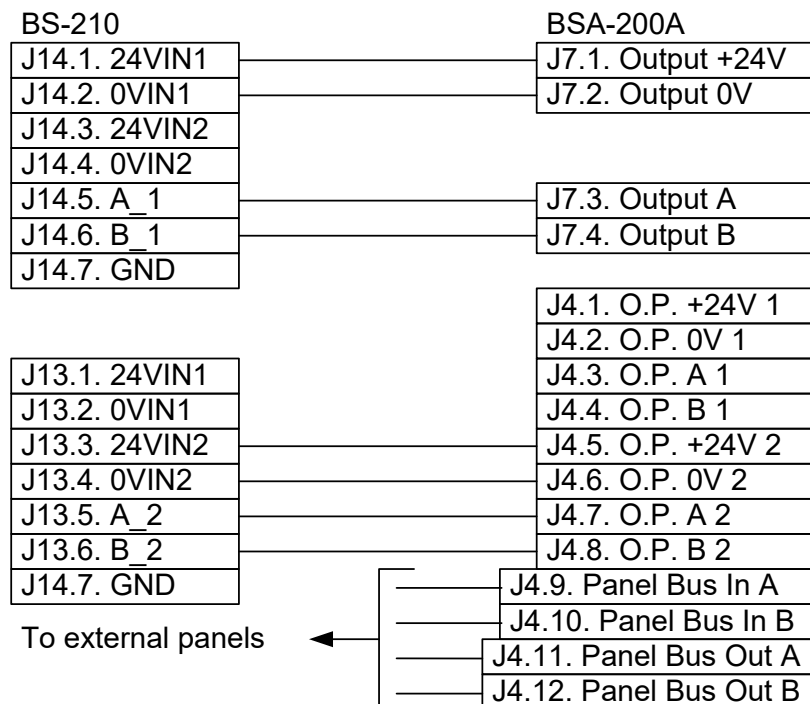
From the factory, the configuration is by default prepared for a standalone panel with integrated BS-210.

*If the cabinet has an integrated BS-210 and an external panel bus is to be connected to the cabinet, the configuration of the panel has to be changed during commissioning in order to achieve redundancy and fault monitoring of the panel bus.*

Configuration change for panels on a panel bus:

The configuration of the panel connection (Service Menu/System Settings/"Set Operator Panel connection") must be set to "J4, Auxiliary terminal block" (connector J4) during commissioning/reconfiguration.

#### Cabinet with integrated BS-210, external panel bus



## 10.9.4 Connections (J4) for a cabinet with external BS-210 and external panel bus

If the Operator Panel BS-210 is to be placed outside a cabinet and an external panel bus (with additional panels) is to be connected to the cabinet, the Auxiliary terminal connector J4 must be used.

**Note:**

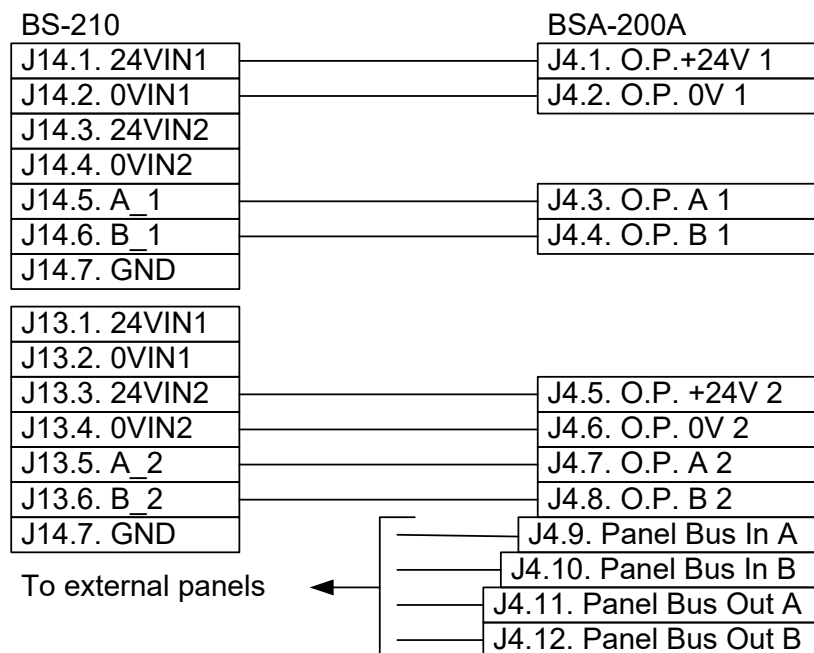
From the factory, the configuration is by default prepared for a standalone panel with integrated BS-210.

*If the Operator Panel BS-210 is to be placed outside the cabinet and an external panel bus is to be connected to the cabinet, the configuration of the panel has to be changed during commissioning in order to achieve redundancy and fault monitoring of the panel bus.*

Configuration change for panels on a panel bus:

The configuration of the panel connection (Service Menu/System Settings/"Set Operator Panel connection") must be set to "J4, Auxiliary terminal block" (connector J4) during commissioning/reconfiguration.

Cabinet with external BS-210, external panel bus





## 10.10 Panel Bus Connections to BU-, BV- and BS-panels

### CAUTION



Do not connect the 24V wire to the terminal points used for communication (A and B terminals). This will lead to malfunction of the communication circuits.

Note that when connecting additional panels on a panel bus, the communication cables inside the cabinet (Fire Alarm Control Panel) must be connected as shown in chapter 10.9.2.

If additional panels are to be connected to the RS-485 Panel Bus, the additional panel's Panel Bus connector J13 and J14 is used. This connector is located on the rear side of the BU-, BV- and BS-panels.

Panel Bus connector on additional panels (viewed from rear side of panel where cables are to be connected)

J14							J13						
24VIN1	0V iN 1	24VIN2	0v iN 2	A1_1	B1_1	GND	24VIN1	0V iN 1	24VIN2	0v iN 2	A2_2	B2_2	GND
Panel Bus In							Panel Bus Out						

## 10.11 Overview Panel Bus

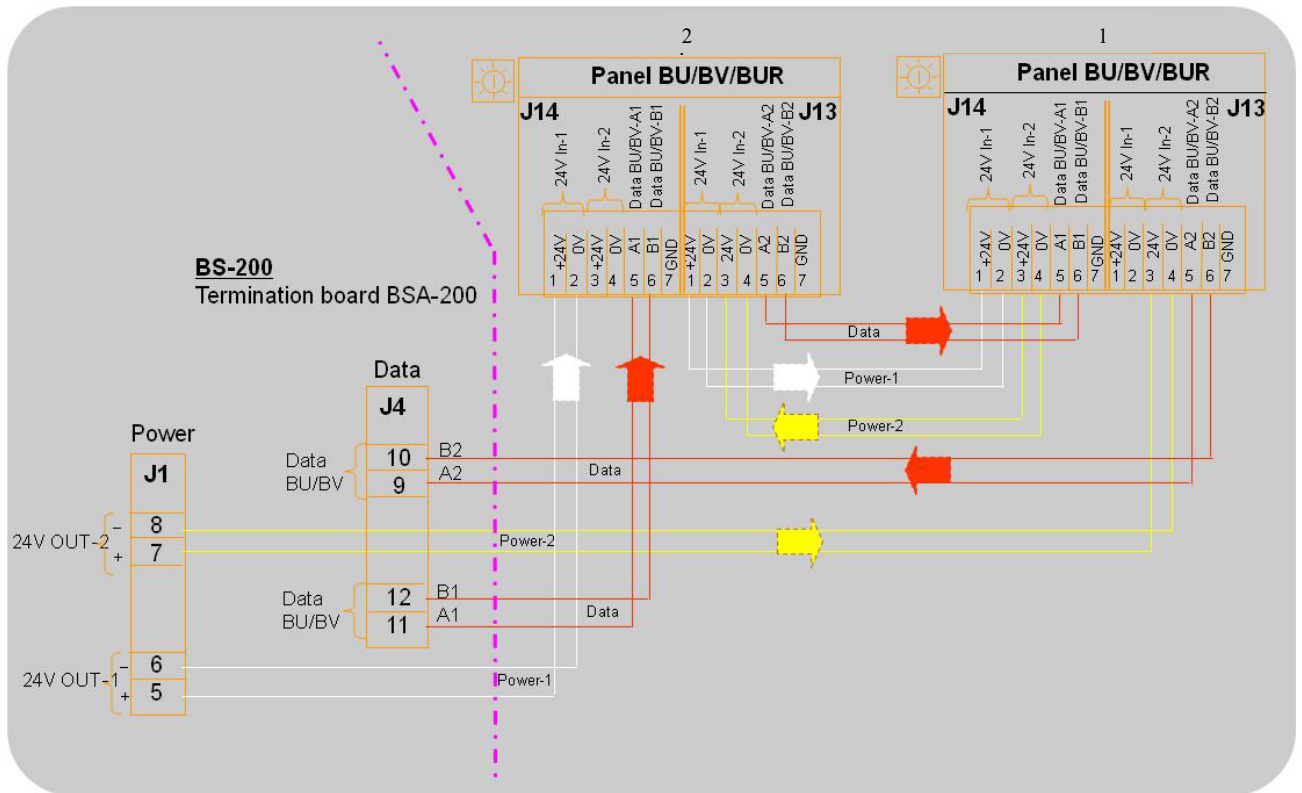
### CAUTION



Do **not** connect the 24V wire to the terminal points used for communication (A and B terminals). This will lead to malfunction of the communication circuits.

The termination point "GND" is available for termination of the shield from a shielded cable. In this way, it is possible to establish a through-connected shielded cable. Note that it is not required to terminate this point to an Earth connection.

### Connection of panels on the Panel Bus



## 10.12 Connections to Mimic Drivers (BUR-200)

NOTE: For specific information on the installation and cable connections for *maritime* installations, refer to chapter 11.

The BUR-200 is a Mimic Driver that is capable of driving 32 LEDs with series resistors on a mimic panel for additional indication of alarms. In addition, 8 standard monitored inputs can be used for reading various switches.

Power redundancy is achieved by using a daisy-chain connection with master and slave drivers. A maximum of 8 Mimic Drivers can be connected to the panel bus, providing a total of 256 outputs and 64 monitored inputs.

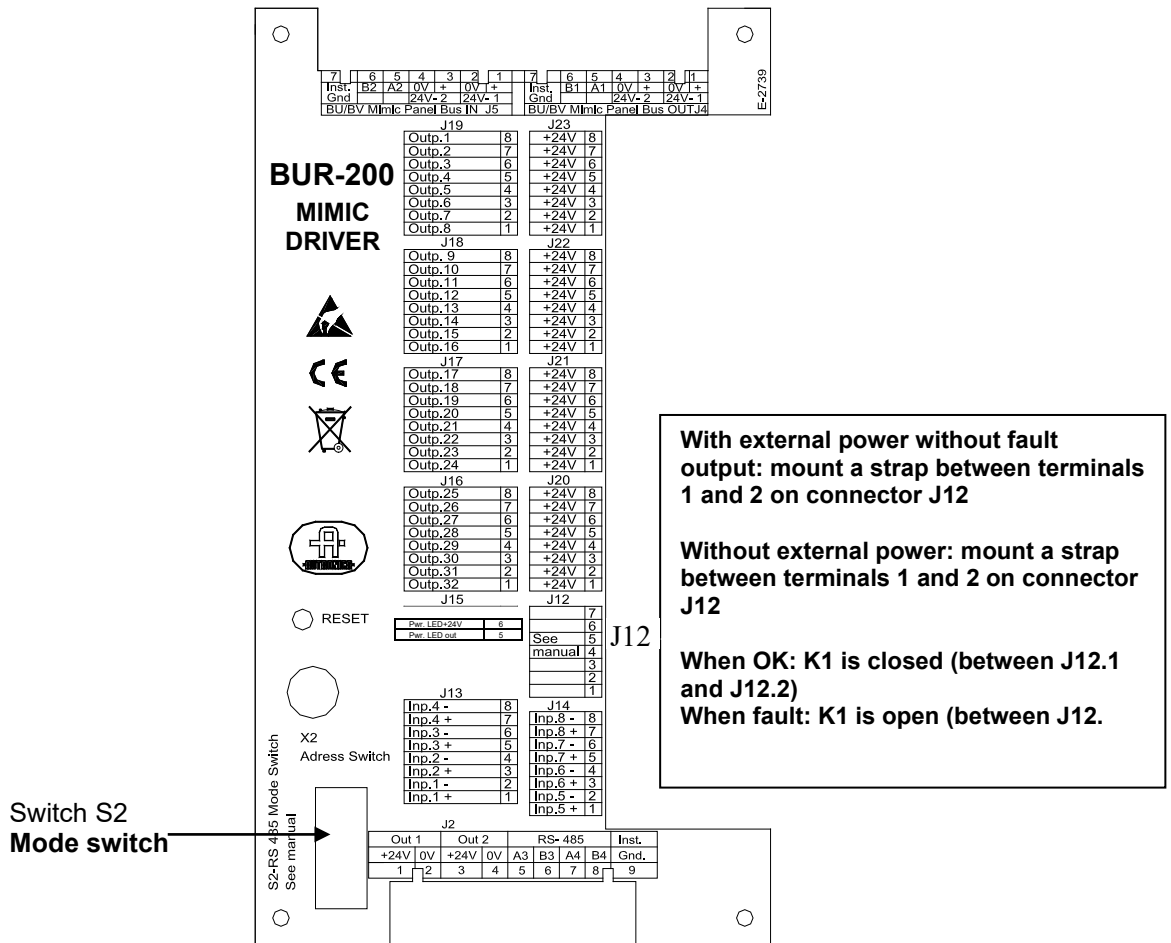
Note that when connecting additional panels on a panel bus, the communication cables inside the cabinet (Fire Alarm Control Panel) must be connected as shown in chapter 10.10.

### CAUTION



Do not connect the 24V wire to the terminal points used for communication (A and B terminals). This will lead to malfunction of the communication circuits.

## 10.12.1 Terminal Points – Overview



## 10.12.2 Switch Settings

RS-485 termination and board mode switch.

Switch	Description
S2.1	RS-485 3 Failsafe termination
S2.2	(see description below)
S2.3	RS-485 3 Line termination
S2.7	BUR-200 Master/Slave select (ON: Master, OFF: Slave)
S2.8	Toggle function: impedance versus light intensity.

### Switch Settings Failsafe and Line Termination

Master and the *last*\* Slave: The switches S2.1, S2.2 and S2.3 are to be set to ON.

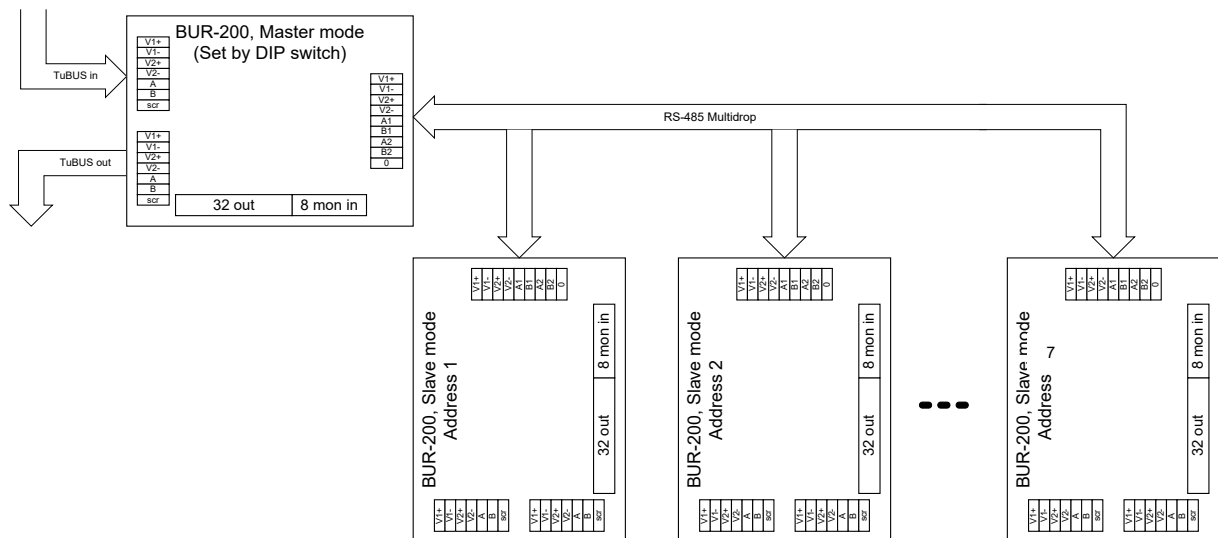
Other Slaves: The switches S2.1, S2.2 and S2.3 are to be set to OFF.

\*Refer to the next chapter: Connection of Master and Slave Mimic Drivers.

### X2 Panel Bus Address Switch

If S2.7 is set to Master, X2 sets the panel bus address. If S2.7 is set as slave, X2 sets the RS-485 daisy-chain slave address. The range for the switch is 1-9.

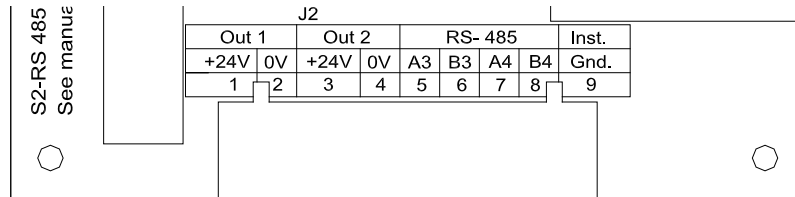
## 10.12.3 Connection of Master and Slave Mimic Drivers



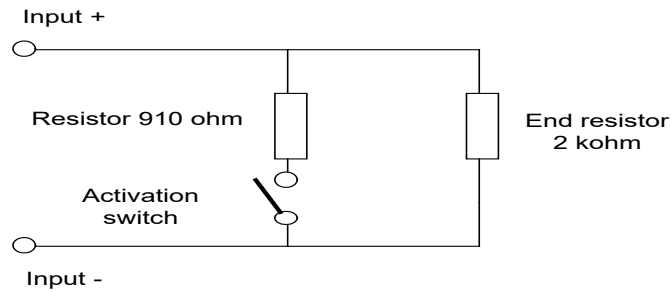
### 10.12.4 Connections for Panel Bus

7	6	5	4	3	2	1	7	6	5	4	3	2	1
Inst	B2	A2	0V	+	0V	+	Inst	B1	A1	0V	+	0V	+
Gnd			24V- 2		24V- 1		Gnd			24V- 2		24V- 1	
BU/BV Mimic Panel Bus IN J5						BU/BV Mimic Panel Bus OUT J4							

### 10.12.5 Connections for Slave Panels



### 10.12.6 Terminals for monitored inputs



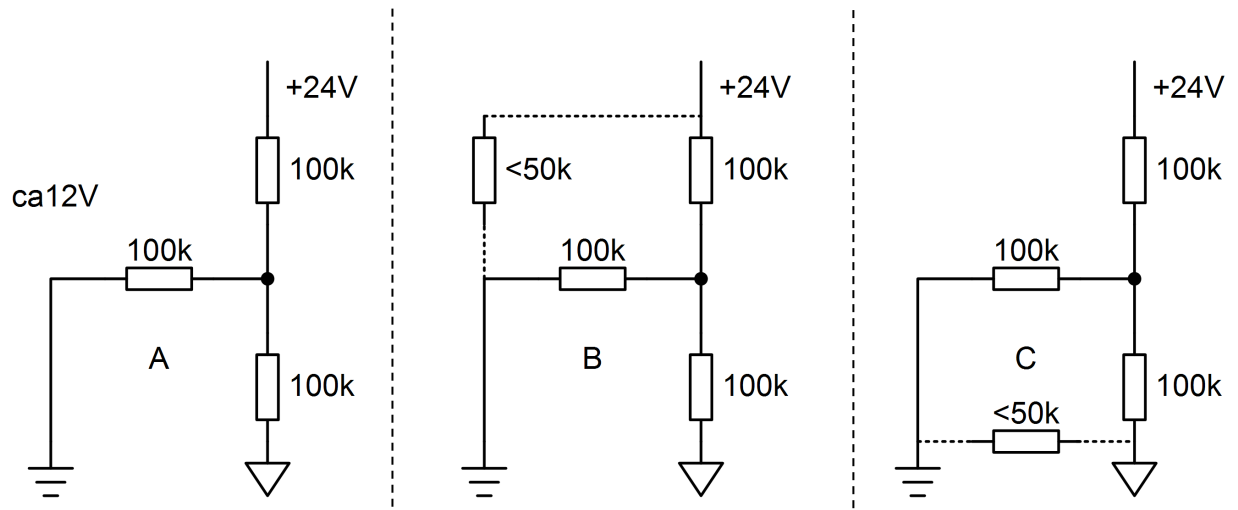
## 10.13 Ground Fault

A) Normal situation, there shall be approximately 12VDC between GND and 0V.

Fault scenarios:

B) Ground fault to +24V, if there is less than 50kohm between GND and +24V.

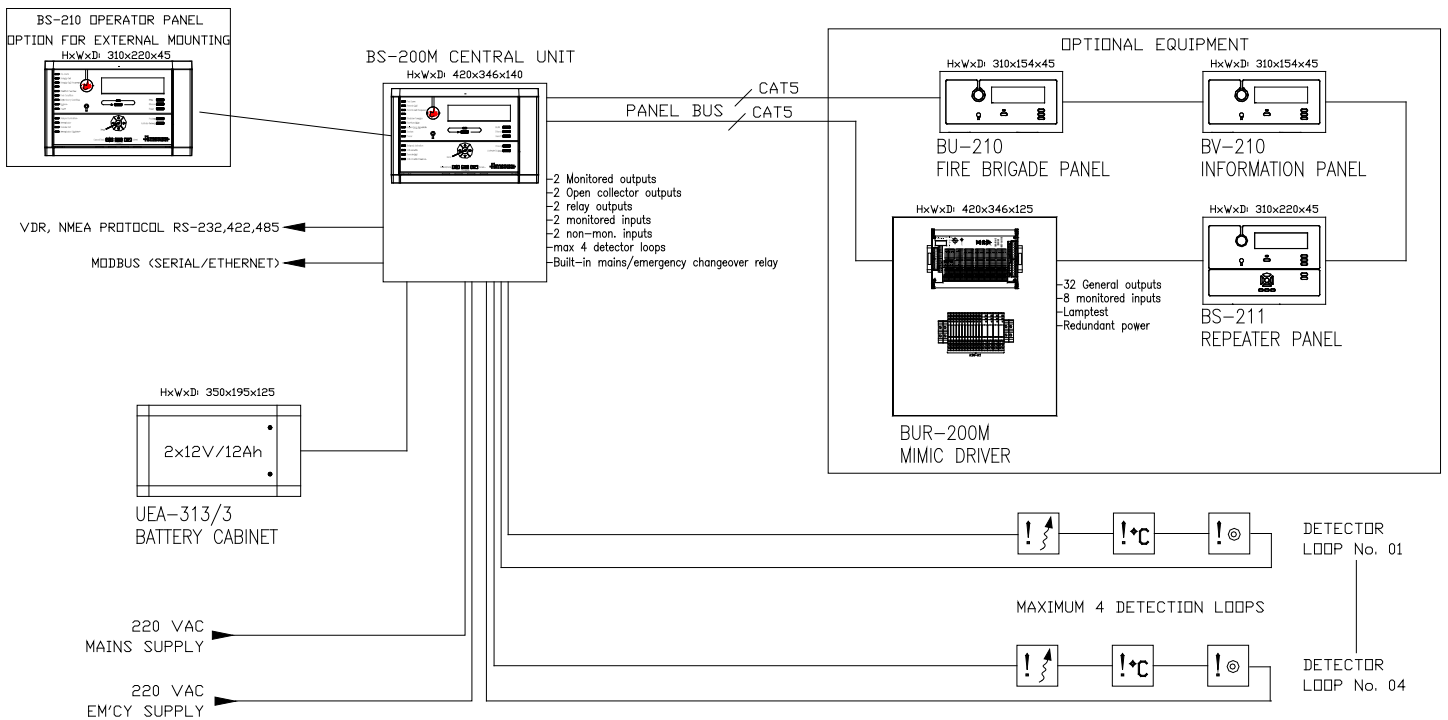
C) Ground fault to 0V, if there is less than 50kohm between GND and 0V.



# 11. Maritime Installations

## 11.1 Typical Maritime Installation – Overview

The overview below shows an example of a typical system layout for a maritime installation.





## 11.2 Fire Alarm Control Panel BS-200M

The BS-200M is specifically designed for use in maritime applications. The panel is provided with a filter.

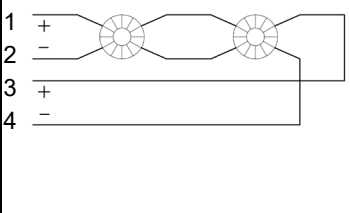
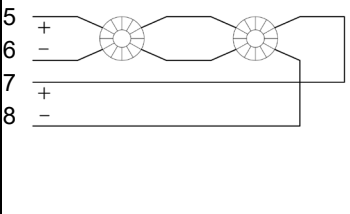
### 11.2.1 External Connections

116-71211549 (230VAC) and  
116-71211550 (110VAC)

X1	Description
1	Mains 110/230 VAC
2	Mains 110/230 VAC
3	Emergency 110/230 VAC
4	Emergency 110/230 VAC
5	Earth
K15	Change-over Relay
K16	Mains Fault
K17	Emergency Fault

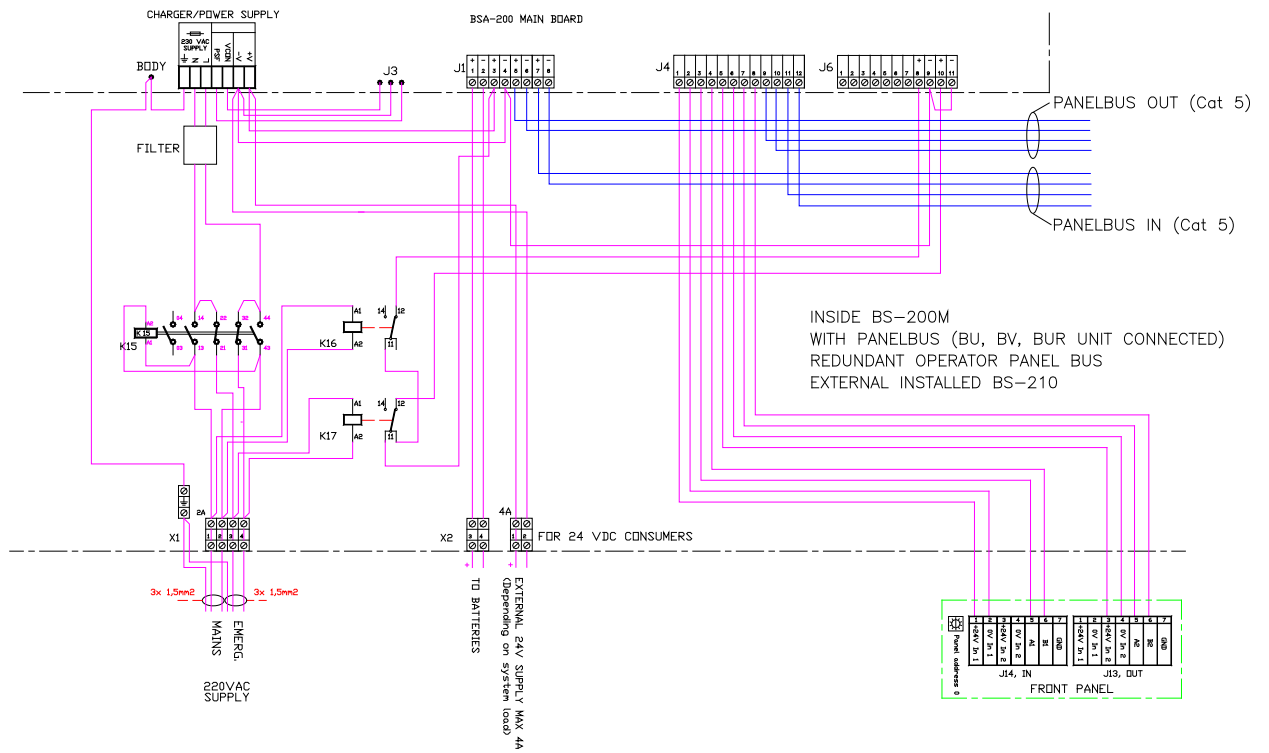
X2	Description
1	External 24V +
2	External 24V -
3	Battery 24V +
4	Battery 24V -

### 11.2.2 Detection Loop Connections – Extended Terminal Block

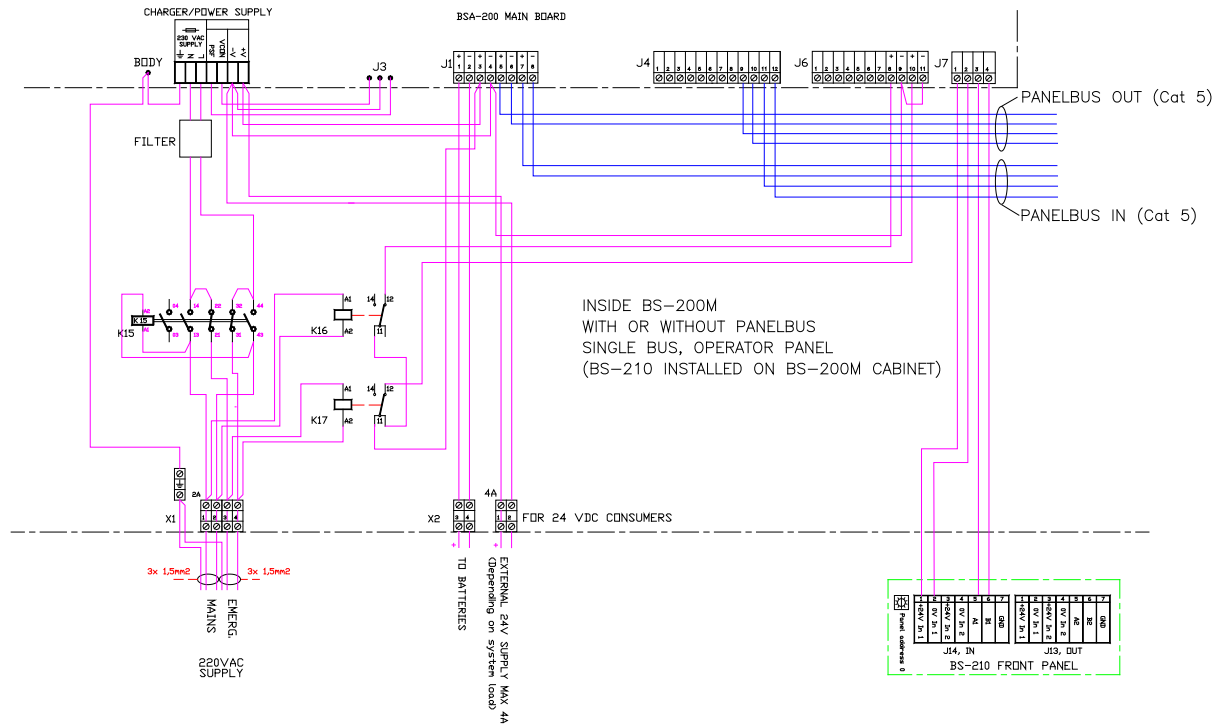
1	Detection Loop 3 out +	For connection of Max 127 detectors/ loop units	
2	Detection Loop 3 out -		
3	Detection Loop 3 in +		
4	Detection Loop 3 in -		
5	Detection Loop 4 out +	For connection of Max 127 detectors/ loop units	
6	Detection Loop 4 out -		
7	Detection Loop 4 in +		
8	Detection Loop 4 in -		



### 11.2.3.2 Cabinet with external BS-210 and external panel bus



### 11.2.3.3 Cabinet with integrated BS-210 with/without external panel bus – with mains changeover relay

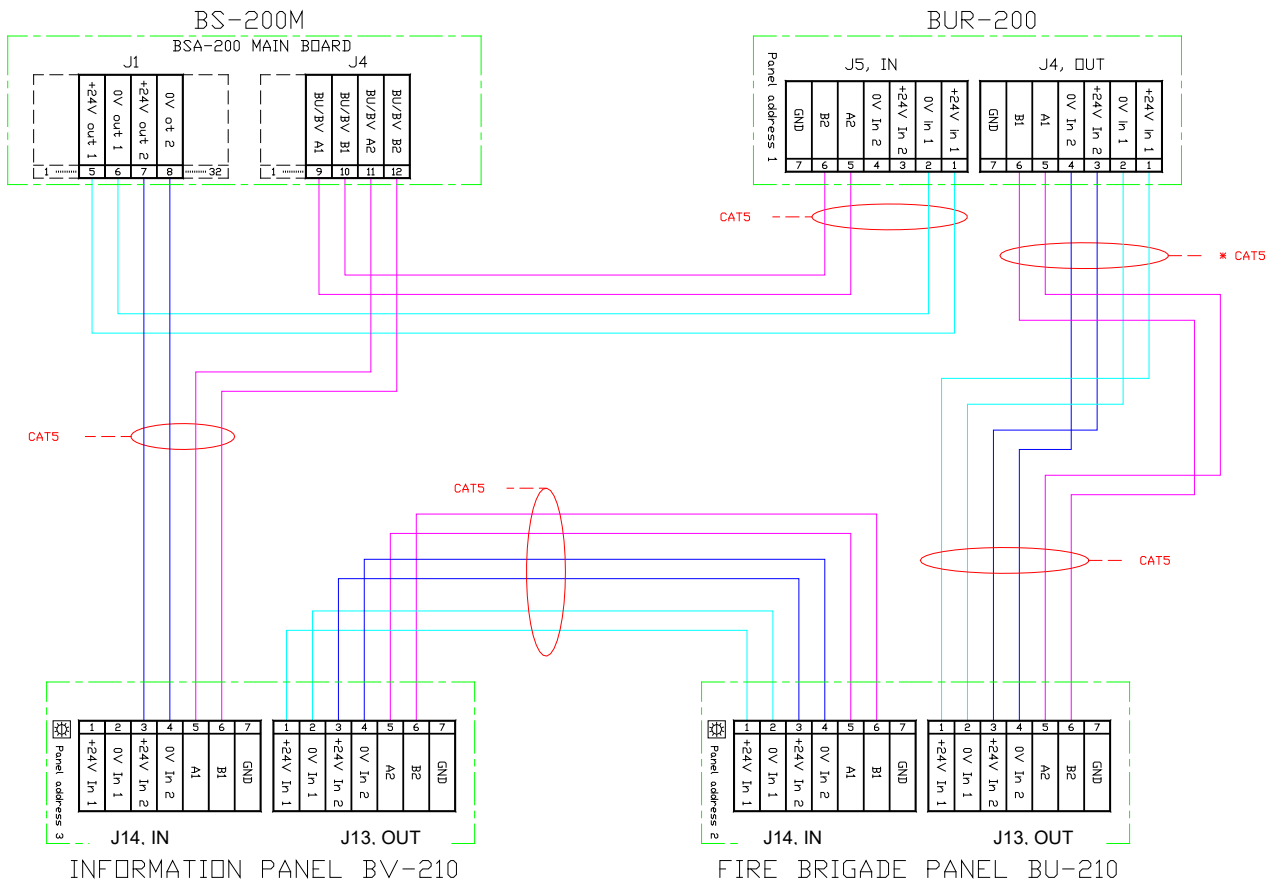




## 11.3 Panel Bus Connection

The drawing below shows an example of a panel bus interconnecting a Fire Alarm Control Panel BS-200M, a Repeater Panel BS-211, an Information Panel BV-210 and a BUR-200 Mimic Driver.

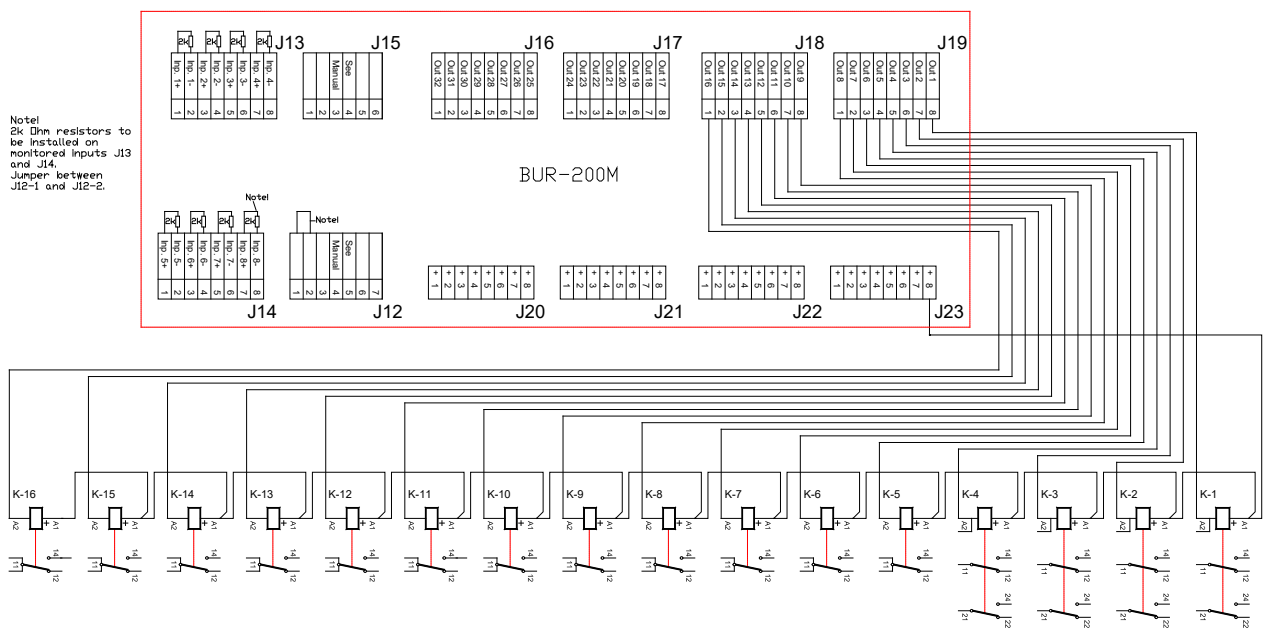
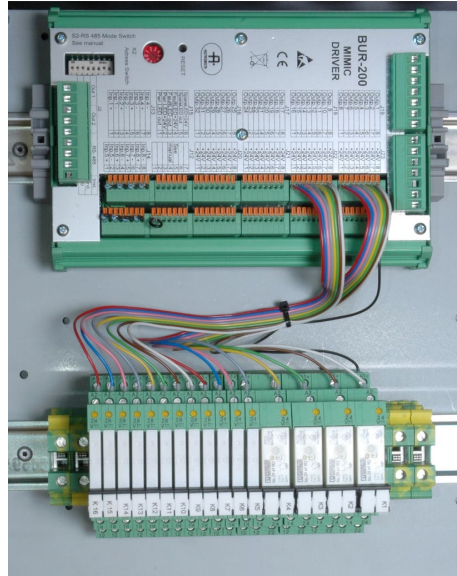
Note that connections depend on the number of panels on the Panel Bus.



J14						J13							
24ViN1	0V IN 1	24ViN2	0v IN 2	A1_1	B1_1	GND	24ViN1	0V IN 1	24ViN2	0v IN 2	A2_2	B2_2	GND
Panel Bus In						Panel Bus Out							

## 11.4 Mimic Cabinet BUR-200

The Mimic Cabinet BUR-200 is specifically designed for use in maritime applications. It includes 1 Mimic Driver BUR-200 and 16 programmable relays.

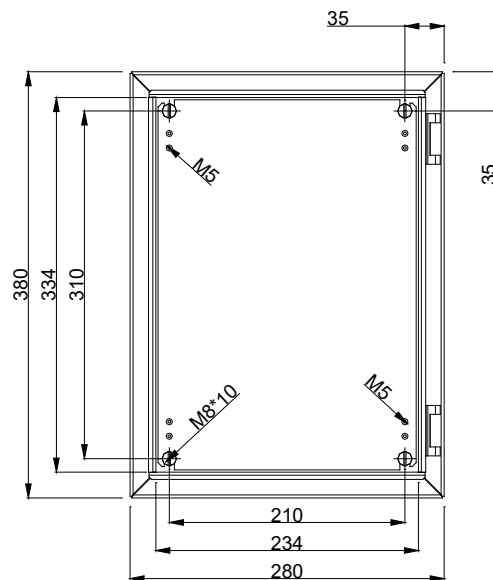
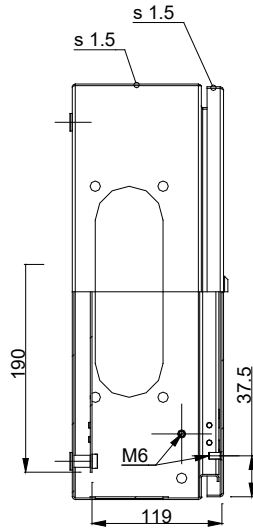


Note:  
2k Ohm resistors must be installed on the monitored inputs J13 and J14. A jumper must be installed between J12-1 and J12-2.

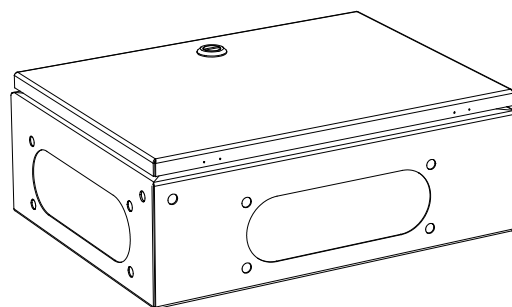
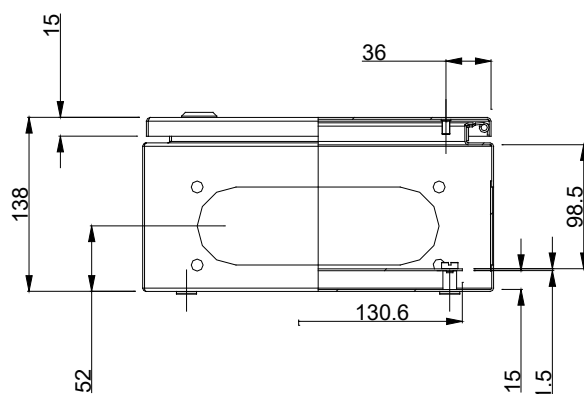
## 11.5 External Battery Cabinet

Part number	Description
116-234403	Battery Cab. 1x24 DC 12Ah CS

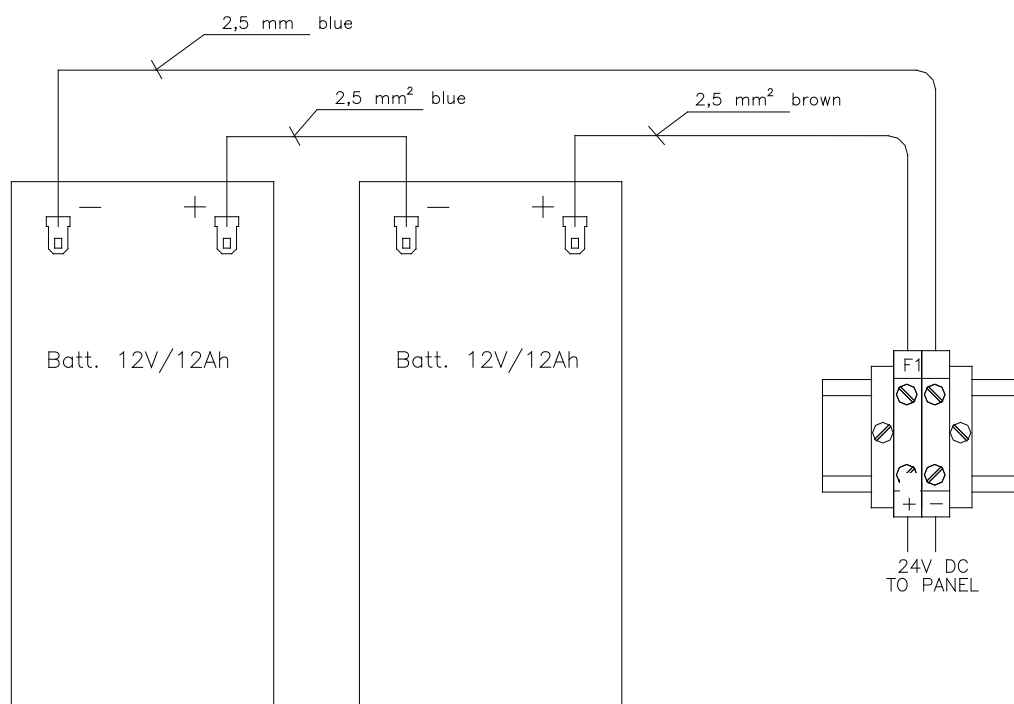
### 11.5.1 Dimensions







### 11.5.2 Internal Connections in Battery Cabinet



# 12. Startup


## 12.1 Power Up

Autroprime is provided to the user in a pre-configured state. In this state the panel is set to recognize detectors and other loop units connected to the detection loops and the availability of routing equipment, etc. As such, the system is fully functional and ready-to-use simply by turning ON the power and following the simple steps below.

When the necessary cabling for the Fire Alarm Control Panel and all other panels that are to be interconnected is completed, you are ready to power up the Fire Alarm Control Panel.

- To turn ON the Fire Alarm Control Panel, connect the mains cable, then connect the internal battery cables to the correct terminal points. Refer to *Cable Connections*, chapter 0.

The green Power-indicator lights up with a steady green light, and an initialization starts.

Step	Display Indication / What happens?	Actions to be taken
1	The panel type, firmware version and address are shown in the display. A pulsing cursor starts to move from left to right on the bottom line of the display, indicating the progress of the initialization procedure. The length of the initialization period depends on the number and types of loop units, and whether there are branches on the loops. After a short time, the system will prompt you to select the appropriate language.	<ul style="list-style-type: none"> <li>• To select the appropriate language, press the Enter button, then use the left/right arrow buttons.</li> <li>• To accept the selected language, press the Enter button twice.</li> </ul> 
2	The system will then prompt you to enter a password.	<ul style="list-style-type: none"> <li>• Press Enter, use the alphanumeric keypad to type the password and then type it once more to confirm the password.</li> </ul>
3	The system will prompt you to set the date and time.	<ul style="list-style-type: none"> <li>• Press Enter, use the alphanumeric keypad to set the time, press the Enter button, then set the date.</li> <li>• To accept, press the Enter button twice.</li> </ul>
4	When the initialization procedure is completed, the panel will recognize detectors and other loop units and the system topology is shown in the display. A functional verification of the panel is run to assure the panel itself is fully functional.	<ul style="list-style-type: none"> <li>• Verify that the topology is correct according to the actual installation.</li> </ul>

Step	Actions to be taken
5	<ul style="list-style-type: none"> <li>• Turn the key clockwise (not necessary for Access Level 3).</li> <li>• To enter Service Mode, press and hold down the Enter button for a few seconds.</li> <li>• Use the Arrow down button to select Enter Service Mode, then press Enter.</li> <li>• Select System Settings (the uppermost menu selection which is highlighted), then press Enter.</li> <li>• Select <b>Save Configuration</b> (the uppermost menu selection which is highlighted), then press Enter twice.</li> <li>• Type the Operator Name, then press Enter.</li> <li>• Type the Site Configuration Version, then press Enter.</li> <li>• Type a Description, then press Enter.</li> <li>• Press Enter once more to confirm.</li> <li>•</li> <li>• Use the Arrow down button to select <b>Restart System</b>.</li> <li>• Use the left Arrow button to select Accept, then press Enter.</li> <li>• The message “System is now shutting down...” will appear, and the system will reboot automatically.</li> </ul> <p>The system topology is shown in the display. Press the Cancel/Back button to reveal the idle display.</p>
6	<p>Before leaving the system unattended, all faults should be corrected. Any fault preventing the system from detecting or reporting a fire must be corrected.</p>

The system now functions with the default configuration. Site-specific configuration can now be carried out. For details on system configuration and examples on how to configure a site-specific configuration, refer to the Configuration Handbook.

## 12.2 Testing

To ensure that the system works properly during normal operation after commissioning, the whole system (control panel, detectors, control functions, activation groups, activation of inputs/outputs) must be verified.

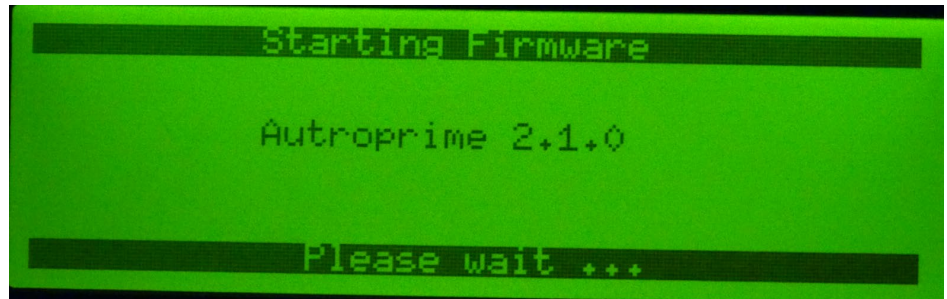
## 12.3 Safety Measures during Commissioning and Maintenance

### NOTE

To avoid unmotivated activation of release outputs on connected safety-critical systems, it is important that service personnel physically disconnects or disables (in the Service Menu) the safety-critical system from the fire detection system during commissioning and maintenance.

## 12.4 Service Menu when the System is Starting

If a USB-stick is connected when the system is powered on, or HW reset by pressing button S1 on BSA-200A, the Enter button lights up after approx. 35 seconds, and the display writes "Starting Firmware".

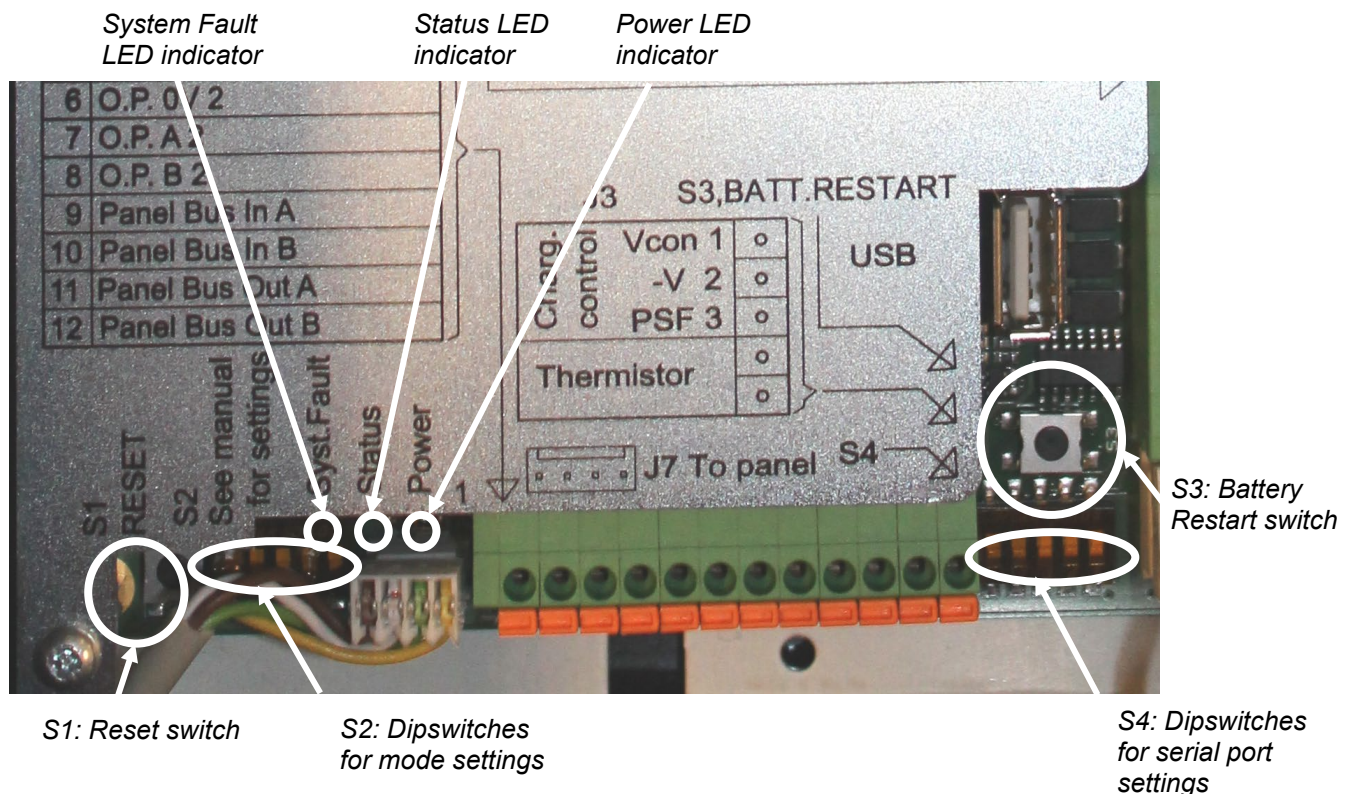


By pressing the Enter button a service menu is shown.



# 13. Switches and Indicators on the Main Board

## 13.1 Overview



## 13.2 Reset Switch (S1)



**Warning:**

The reset switch (S1) on the main board is to be pressed only if the System Fault indicator on the main board for any reason is lit.

(A normal system reset – which is a quite different operation - is done by pressing the green Reset button on the front panel. Also, if a restart of the panel is required , this is to be done via the Menu entry in Service mode.)

## 13.3 Dip-switches for Mode Settings (S2)

Switch	Description	Default
S2.1	Boot from internal memory (flash). In normal operation set to ON. Switch to OFF if reprogramming flash from PC.	ON
S2.2	Not in use.	OFF
S2.3	Run without batteries when switch is ON	OFF
S2.4	Market selection. Select between Land (BS-200) and Maritime (BS/200M) Land: S2.4 ON Maritime: S2.4 OFF	ON
S2.5	ON: disable Deep Discharge protection. Refer to chapter 13.5.	OFF

## 13.4 Battery Short-circuit Protection

The battery circuit is protected with an automatic resettable electronic fuse that prevents system shutdown in case of short-circuit in the battery circuit.

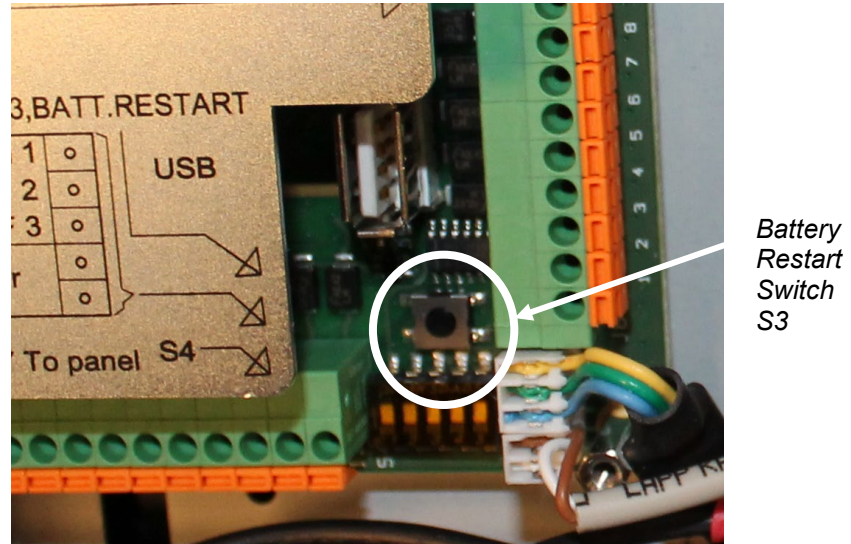
Internal Cabling

Connector	Description	Power Supply	
J3.1	Charge Control	VCON	
J3.2	Charge Control FB	-V	
J3.3	Mains OK	PSF	
J3.4	Battery Temperature Sense +		Battery Temperature Sensor
J3.5	Battery Temperature Sense -		
J1.3	Charger +24V	+V	
J1.4	Charger 0V	-V	



## 13.5 Battery Restart after Deep Discharge (S3)

The Battery Restart switch (S3) is to be pressed only in case you need to commission the panel by means of the batteries (if the mains power is not available). A complete hardware reset will take place.



The switch turns on the relay in the battery circuit.

- If the system is run from battery and the battery is replaced, the switch must be operated to restart the system

EN54 part 4 states that if the battery voltage drops below a limit specified by the manufacturer (17V) the battery shall be disconnected to prevent deep discharge. The battery is disconnected using a relay.

## 13.6 Serial Port Settings (S4)

Switch	Description
S4.1	Multi purpose serial port RS485/RS422 failsafe termination, ON/OFF
S4.2	
S4.3	Multi purpose serial port RS485/RS422 line termination, ON/OFF
S4.4	RS485/RS422 mode select
S4.5	RS485 mode: both switches ON, RS422 mode: both switches OFF

## 13.7 System Fault LED indicator (yellow)

The yellow System Fault indicator is lit if a system fault occurs. The board enters this security mode if the main processor fails to function due to hardware problems on the main board, programme faults or faults in the file system. If such a fault occurs, the reset switch (S1) has to be pressed to regain normal operation of the board. If it is not possible to regain normal operation, the board must be replaced.

## 13.8 Status LED indicator (red)

When the system is being powered up, or a HW reset is performed by pressing button S1 on BSA-200A, the red status indicator is turned on for about 6 seconds, and then switched off.

## 13.9 Power LED indicator (green)

The green Power LED indicator is lit when the main board is supplied with the correct power (3,3VDC and 5VDC).

## 13.10 Regulated 24V Indicator (green)

The green LED indicator is lit when the regulated 24V power is OK.



# 14. Exporting / Importing Configuration Data



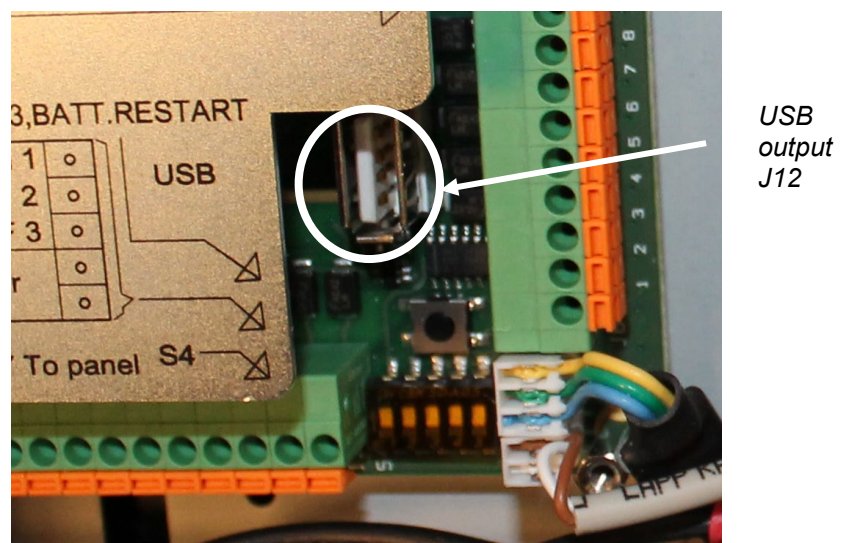
This product contains static-sensitive devices. Please avoid any electrostatic discharge during these operations.

## 14.1 USB Output

By means of a USB memory stick, configuration data can be exported or imported.

The USB output J12 is used for this purpose. It is easily accessible from the inside of the front panel door.


**Note that the maximum load on the USB port is 100mA.  
The USB port is provided with a resettable fuse.**



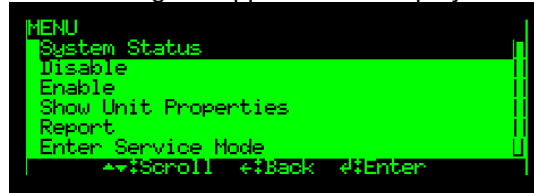
We recommend that the USB-stick that is to be used contains Autronica-related files only.

## 14.2 Entering the Service Menu

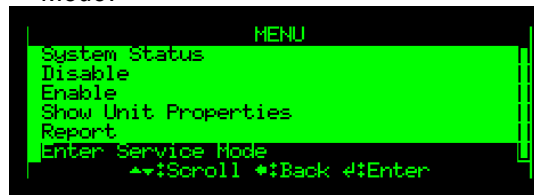


- First, to enter the *Menu Mode* from operation mode or the panel's idle state, press and hold down the Enter button  for a few seconds.

The following will appear in the display:



- Use the arrow down button to scroll down and select *Enter Service Mode*.




- Press Enter twice, then use the alphanumeric keypad and type the password that has been selected during commissioning (4 characters).

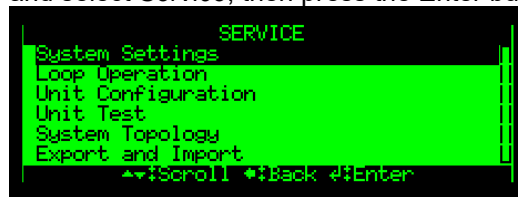


- To accept the password, press Enter once more.

The menu selections *Service* and *Exit Service* now appear in the display.



To enter the *Service* menu, use the arrow down button to scroll down and select *Service*, then press the Enter button 



## 14.3 Exporting Configuration Data

- To export configuration data, enter the service menu (see chapter 14.2), select the Export and Import menu, then perform the command Export Configuration.

This command allows you to export configuration files from the system to a USB memory stick.

**Make sure to save all recent configuration changes (using the Save Configuration command in the System Settings menu, chapter 14.7) before executing the Export Configuration command.**

From the Service Menu, perform the following:

- Use the arrow down button to scroll downwards to Export and Import, then press Enter.
- Press the arrow down button to select Export Configuration, then press Enter.

The following message will appear:

” Copy the last saved configuration file to a USB device.”

- To execute the command, use the left arrow button to select Accept, then press Enter.

## 14.4 Importing Configuration Data

- To import configuration data, enter the service menu (see chapter 14.2), select the Export and Import menu, then perform the command Import Configuration.

**The imported configuration will have no impact on the running system. To use the imported configuration the system must be restarted (Restart System, chapter 14.6).**

Note that when importing a configuration from AutoClient, all configurations saved by AutoClient 1.0.4 or previous versions will be rejected by Autoprime. Open the configuration in AutoClient 1.0.5 (or newer) and save to Config.xml before importing into Autoprime.

This command allows you to import configuration files from a USB memory stick.

From the Service Menu, perform the following:

- Use the arrow down button to scroll downwards to Export and Import, then press Enter.
- Press the arrow down button to select Import Configuration, then press Enter.

The following message will appear:

"Import configuration files from the USB device. The imported configuration will not have any impact on the running system. To use the imported configuration, please restart the system."

- To execute the command, press the left arrow button to select Accept, then press Enter.

## 14.5 Backup Current Configuration

- To perform an internal backup of a current configuration, enter the service menu (see chapter 14.2), then perform the command Backup Current Configuration.

This command allows you to take an internal backup of the current configuration.

**Make sure to save all recent configuration changes (using the Save Configuration command in the System Settings menu, chapter 14.7) before executing the Backup Current Configuration command.**

From the Service Menu, perform the following:

- Use the arrow down button to scroll downwards to Export and Import, then press Enter.
- Press the arrow down button to select Backup Current Configuration, then press Enter.

The following message will appear:

" Create backup of the current configuration. Please save the configuration if configuration has been changed".

- To execute the command, use the left arrow button to select Accept, then press Enter.

## 14.6 Select Configuration & Restart System

This command allows you to restart the system by using one of the configuration files available (current configuration, imported configuration or backup configuration).

From the Service Menu, perform the following:

- Use the arrow down button to scroll downwards to Export and Import, then press Enter.
- Press the arrow down button to select Select Configuration & Restart System, then press Enter twice.

The following message will appear:

" Restart the system by using one of the configurations available".

- If several configurations are available, use the left/right arrow buttons to select the configuration (Current Configuration, Imported Configuration or Backup Configuration).
- Press Enter.
- To execute the command, press Enter once more.

## 14.7 Save Configuration

Each time a configuration has been changed, this command should be run. The changes will not become effective until a Restart System command is performed.

From the Service Menu, perform the following:

- Press Enter to select System Settings.
- Press Enter twice to select Save Configuration.
- Type a new Site Name, or accept the existing one by pressing the arrow down button.
- Type a new Operator Name, or accept the existing one by pressing the arrow down button.
- Press Enter to type a new Site Configuration Version then press Enter, or accept the existing one by pressing the arrow down button.
- Press Enter to type a new Description then press Enter, or accept the existing one by pressing the arrow down button.
- To confirm, press Enter.

# 15. Changes on the Detection Loop

## 15.1 Typical Scenarios

This chapter provides information on how changes on the detection loop affect the system during normal operation.

The table below gives an overview of typical scenarios for various examples, including the actions to be carried out and the panel indication (visual/audible).

Note that some fault messages may not appear if a change is done rapidly (for example, a unit is removed and another unit is inserted rapidly). However, the procedures will be the same, regardless of how quick the changes are done.

Before a point is to be added or removed from the loop (for example, a new detector base for a detector is added or an existing is removed), the detection loop in question has to be disabled after entering service mode. When the change has been done, the detection loop has to be enabled.

## 15.2 Remove a unit and Insert the same unit

Scenario during normal operation / actions to be carried out		Panel indication (visual/audible)
<b>For example, remove an optical smoke detector BH-300 from its base, and reinsert the same one into the base.</b>		
1	Remove the detector from its base.	Observe two fault warnings: "Loop Cable Fault" "Loop Unit not responding"
2	Acknowledge all faults.	Buzzer off, indicator to steady
3	Insert the same detector.	No change
4	Operate reset.	Panel to quiescent condition.

## 15.3 Remove a unit and insert another unit of the same type

Scenario during normal operation / actions to be carried out		Panel indication (visual/audible)
<b>For example, remove an optical smoke detector BH-300 from its base and insert another optical smoke detector BH-300 into the same base</b>		
1	Remove the detector from its base.	Observe two fault warnings: "Loop Cable Fault" "Loop Unit not responding"
2	Insert another detector of same type in the base.	Observe fault warning "Loop Unit has been replaced"
3	In service menu, select System Settings/Save Configuration, then Restart System.	After restart of system observe quiescent condition on the panel.

## 15.4 Remove a unit and insert another unit of a different type

Scenario during normal operation / actions to be carried out		Panel indication (visual/audible)
<b>For example, remove an optical smoke detector BH-300 from its base and insert a heat detector BD-300.</b>		
1	Remove the detector from its base.	Observe two fault warnings: "Loop Cable Fault" "Loop Unit not responding"
2	Insert a detector of a different type in the base.	Observe fault warning: "Loop unit has been replaced"
3	In service menu, select System Settings/Save Configuration, then Restart System.	After restart of system observe quiescent condition on panel.



## 15.5 Add a new unit to the detection loop

Scenario during normal operation / actions to be carried out		Panel indication (visual/audible)
<b>For example, an optical smoke detector BH-300 is added to the detection loop.</b>		
1	Enter service mode and disable the detection loop in question.	
2	Mount a new base on the detection loop.	
3	Insert the new detector in its base.	
4	Enable the detection loop.	Observe fault messages: "Topology has Changed" "Configuration Mismatch"
5	From the menu check the loop topology.	Observe that the topology is in accordance with the new detector added.
6	Add the appropriate properties to the new unit (Service Menu/Unit Configuration/Points).	
7	In service menu, select System Settings/Save Configuration-Restart System. Accept restart of system.	After restart of system observe quiescent condition on panel.

## 15.6 Remove a loop unit from the detection loop

Scenario during normal operation / actions to be carried out		Panel indication (visual/audible)
<b>For example, an existing heat detector BD-300 is removed from the detection loop.</b>		
1	Enter service mode and disable the detection loop in question.	
2	Remove the detector from its base and repair the cable break.	
3	Enable the detection loop.	Observe fault messages: "Topology has Changed" "Loop Cable Fault" "Loop Unit is Not Responding"
4	From the menu check the loop topology.	Observe that the topology is in accordance with the new detector added. An "X" sign is indicated at the position of the removed unit
5	In service menu, select System Settings/Save Configuration. Accept to view list of units to be removed.	The removed unit is presented in the list
6	Mark the unit by pressing the Select button and then the Function button. Press Enter button to start the command "Remove Unit From Configuration", and finally accept the command. Complete parameters to save the configuration.	
7	In service menu, select System Restart System. Accept restart of system.	After restart of system observe quiescent condition on panel.

## 15.7 Major Changes / Clear Loop Config. - Restart System

Note that, when major changes are to be done on an existing detection loop, i.e. a large amount of points on an existing detection loop are to be removed and others are to be added, it is recommended to use the command Clear Loop Config. - Restart System. This command allows you to delete *all* points on a *selected* detection loop, meaning that you can start from the beginning configuring the detection loop in question.

For further information, refer to the Configuration Handbook.

# 16. Changes on the Panel Bus

## 16.1 Typical Scenarios

This chapter provides information on how changes are to be carried out on the panel bus (typical scenarios), plus the panel indication (visual/audible) and the results of the changes.

## 16.2 Adding an extra panel to the Panel Bus

Step	Task	Expected results
<b>For example, an Information Panel BV-210 is added to the Panel Bus.</b>		
1	The system is to be in quiescent condition. Enter access level 3 (service mode).	
2	Add a new panel to the panel bus. Make sure that the panel's address (refer to Addressing Panels, chapter 7) is not already used for other existing panels.	Within 100 seconds the Fault indicator starts to pulse and the internal buzzer is turned on.  The panel display shows the following message: "Panel topology mismatch"
3	Press the Mute Panel button	The internal buzzer is turned off.
4	Acknowledge the fault by pressing the Function button, then press the Enter button to accept.	The Fault indicator goes steady.
5	Save the configuration and restart the system	The system restarts. The system starts in quiescent condition, and the new panel is operative.

## 16.3 Removing a panel from the Panel Bus

Step	Task	Expected results
<b>For example, a Fire Brigade Panel BU-210 is removed from the Panel Bus.</b>		
1	The system is to be in quiescent condition. Enter access level 3 (service mode).	
2	In service menu, select System Topology and observe the current state of the panel bus and number of units on the panel bus	
3	Remove a panel from the panel bus by disconnecting the cables from the panel.	Within 100 seconds the Fault indicator starts to pulse and the internal buzzer is turned on.
4	Connect the wires where the break is.	Within 100 seconds the Fault indicator starts to pulse and the internal buzzer is turned on.
5	Wait up to 100 seconds.	Observe that panel bus topology is reduce by 1 unit
6	In the service menu, select System Settings/Save Configuration. Accept to view list of units to be removed.	The removed unit is presented in the list
7	Mark the unit by pressing the Select button an then the Function button. Press Enter button to start the command "Remove Unit From Configuration". Complete parameters to save the configuration.	

## 16.4 Replacing a panel of the same type and with the same address

Step	Task	Expected results
<b>For example, a Repeater Panel BS-211 is to be replaced by another Repeater Panel BS-211 with the same address.</b>		
1	The system is to be in quiescent condition. Enter access level 3 (service mode).	
2	In service menu, select System Topology and observe the current state of the panel bus and number of units on the panel bus	
3	Replace a panel with another one of the same type and the <i>same</i> address.	Within 100 seconds the Fault indicator starts to pulse and the internal buzzer is turned on.
4	Wait until the number of units on the panel is correct	
5	Save the configuration and restart the system.	The system restarts. The system starts in quiescent condition.

## 16.5 Replacing a panel of the same type but with a different address

Step	Task	Expected results
For example, a Repeater Panel BS-211 is to be replaced by another Repeater Panel BS-211 with a different address.		
1	The system is to be in quiescent condition. Enter access level 3 (service mode).	
2	In service menu, select System Topology and observe the current state of the panel bus and number of units on the panel bus	
3	Replace a panel with another one of the same type but with a <i>different</i> address (not used by any other panels on the panel bus).	Within 100 seconds the Fault indicator starts to pulse and the internal buzzer is turned on.
4	Wait until the number of units on the panel is correct	
5	In the service menu, select System Settings/Save Configuration. Accept to view list of units to be removed.	The removed unit is presented in the list
6	Mark the unit by pressing the Select button an then the Function button. Press the Enter button to start the command "Remove Unit From Configuration". Complete parameters to save the configuration.	
7	In the service menu, select System Restart System.	The system restarts. The system starts in quiescent condition.

## 16.6 Replacing a panel of a different type

Step	Task	Expected results
<p><b>For example, a Repeater Panel BS-211 is to be replaced by an Information Panel BV-210. System behaviour does not differ if the new panel use the same or different address.</b></p>		
1	The system is to be in quiescent condition. Enter access level 3 (service mode).	
2	In the service menu, select System Topology and observe the current state of the panel bus and number of units on the panel bus	
3	Replace a panel with another one of the same type. You may keep the same address as the previous panel, or change to <i>different</i> address (not used by any other panels on the panel bus).	Within 100 seconds the Fault indicator starts to pulse and the internal buzzer is turned on.
4	Wait until the number of units on the panel is correct	
5	In the service menu, select System Settings/Save Configuration. Accept to view list of units to be removed	The removed unit is presented in the list
6	Mark the unit by pressing the Select button an then the Function button. Press the Enter button to start the command "Remove Unit From Configuration". Complete parameters to save the configuration.	
7	In the service menu, select System Restart System.	The system restarts. The system starts in quiescent condition.

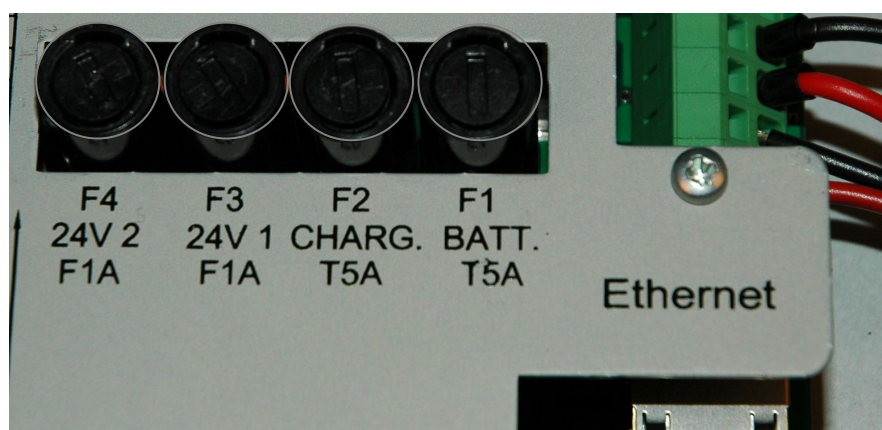
# 17. Charger and Battery

## 17.1 Calibration

The charger is factory calibrated. If an Autoprime system gives the fault message «Charger Control Output Fault», the charger needs to be calibrated.

The procedure is as follows:

1. If the system is running, enter the service menu (chapter 14.2) and shut down the system
2. To power off the BSA-200A board, disconnect fuses F1 and F2



3. On the charger (consult the picture below), use a multimeter to monitor the DC voltage between terminals “-V “ and “ +V “ while slowly adjusting the plastic knob “V ADJ” until the multimeter shows 27.2 V



4. Re-connect fuse F1 and then fuse F2 to start the system

If the charger cannot be calibrated to 27,2V +3% (minimum 26,4V and maximum 28,0V), it must be replaced with a new charger.

## 17.2 Battery and Charger Characteristics

EN54 term	Description	Value
I <sub>max a</sub> , I <sub>max b</sub>	Rated maximum output current which can be supplied continuously from the charger	5,1A
V <sub>bmax</sub>	Battery float voltage	27,2v
Final voltage	Lowest voltage, specified by the battery manufacturer, to which a battery should be discharged	21,0v

## 17.3 Battery Maintenance

### 17.3.1 Batteries

- Check manufactured date.
- Replace according to statement of lifecycle.

### 17.3.2 Periodic maintenance check of batteries

- Disconnect the Mains input, possibly by removing the fuse for main AC input.
- Wait at least 2 minutes and measure battery voltage.

This shall be > 25,2v. Unless they are not fully charged when tested, they must be replaced.



# 18. Appendix

## 18.1 Text Foils

**Autoprime** supports the following languages (listed in alphabetical order):

Danish (DK)  
 Dutch (NL)  
 English (GB)  
 Finnish (SF)  
 French (F)  
 Hungarian (H)  
 Icelandic (IS)  
 Italian (I)  
 Norwegian (N)  
 Polish (PL)  
 Portuguese (Brazilian) (BR)  
 Russian (RUS)  
 Spanish (E)  
 Swedish (S)

The text foils in the relevant language are to be inserted in the correct locations (there are two different types of foils). The table below gives an overview of the different textfoils (part numbers for indicators and keypads) and for the various languages (the letters XX indicate the language, DK, NL, etc.).

Text foils for:	Indicators	Keypad
Operator Panel BS-210 (integrated part of BS-200/BS-200M) and Repeater Panel (BU-200)	E-2717/XX-1	E-2717/XX-2
Fire Brigade Panel (BU-210)	E-2721/XX-1	E-2721/XX-2
Information Panel (BV-210)	E-2735/XX-1	E-2735/XX-2
"Larmlagringspanel" (BU-211)	E-2736/XX-1	E-2736/XX-2

