

Quick Start Guide

Solo 220 Detector Removal Tool

Detector Removal Instructions for AutoGuard® Multicriteria Detectors

Important:

Before any work begins on the fire detection system, all necessary persons should be notified that the fire system is to undergo maintenance and that the system, or part of it, will be temporarily out of service.

Ensure the control panel is in 'Test Mode' and/or take the necessary precautions to prevent unwanted alarms.

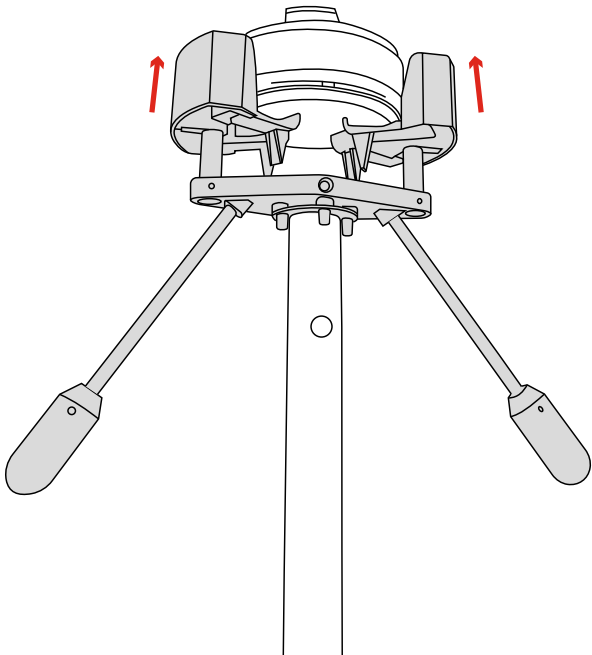
Ensure that the same persons are informed once the system is fully operable again.

A

AutroGuard® Multicriteria Detector removal/ replacement using the Solo 220 Removal Tool

1. Position

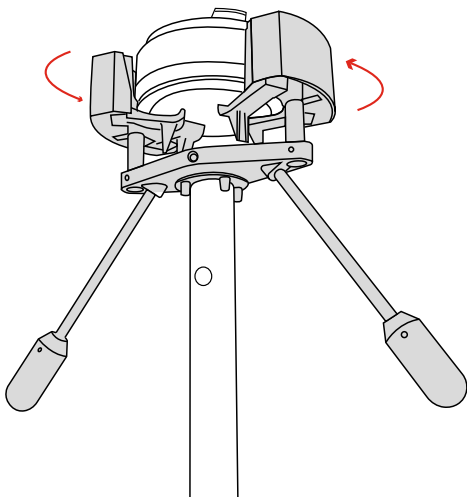
Position the removal tool over the detector and apply gentle upward pressure to engage the sprung arms.





2. Remove

Rotate the removal tool anti-clockwise whilst applying gentle pressure to disengage the detector from its base.



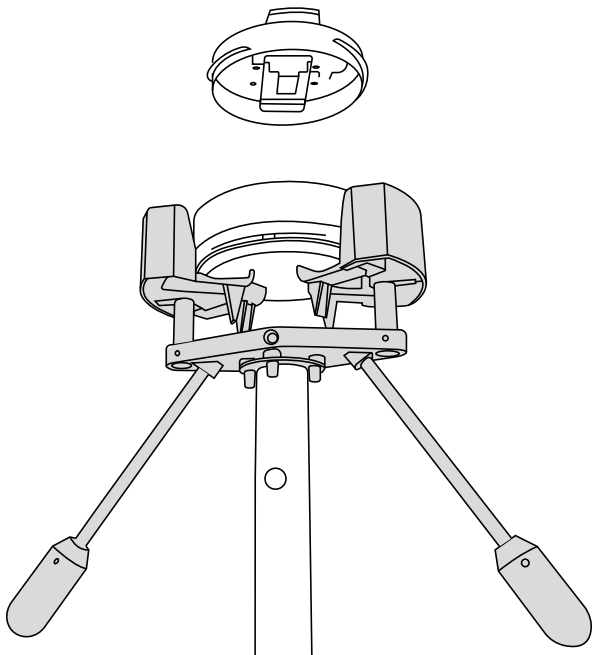
Note:

When replacing a detector rotate the removal tool clockwise whilst applying pressure to engage the base of the detector.



3. Lower

Carefully lower the removal tool keeping it upright.

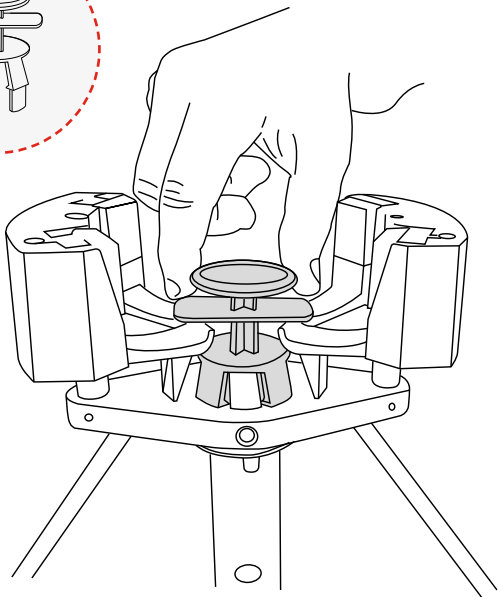
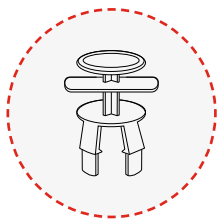


B

Removal of dust cover for AutoGuard® Detectors with Solo 220 Dust Cover Adapter Tool

1. Attach & Position

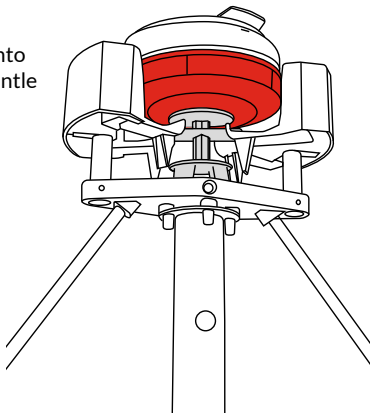
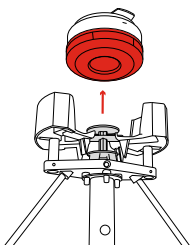
Attach the Dust Cover Adapter to the Solo 220 Removal Tool and position the catches above the sprung arms to partially engage them.





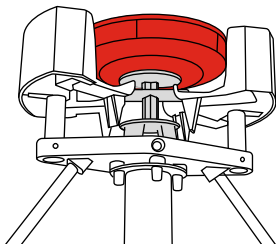
2. Remove

Guide the removal tool onto the detector and apply gentle pressure to grip the dust cover.



3. Lower

Lower the removal tool to detach the dust cover from the detector.

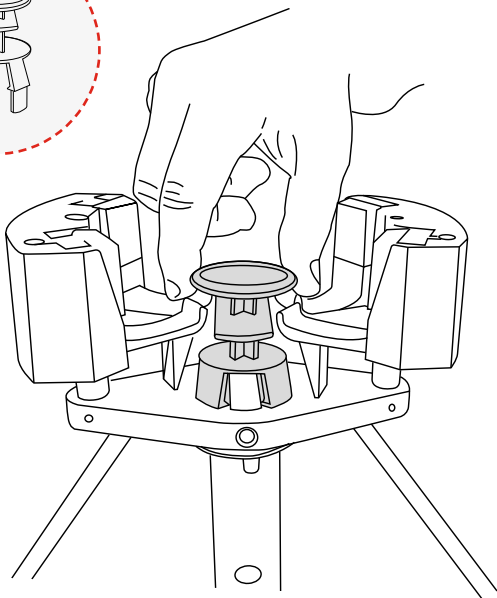
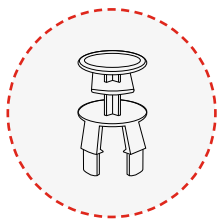




Application of dust cover for AutoGuard® Detectors with Solo 220 Dust Cover Adapter Tool

1. Attach & Position

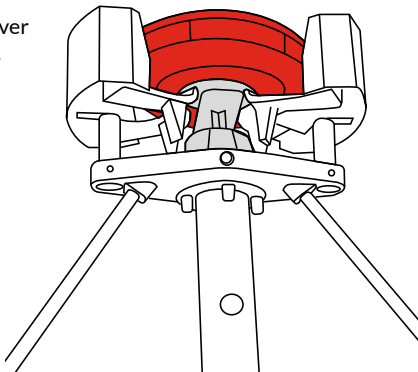
Attach the Dust Cover Adapter to the Solo 220 Removal Tool and position the catches beneath the sprung arms.





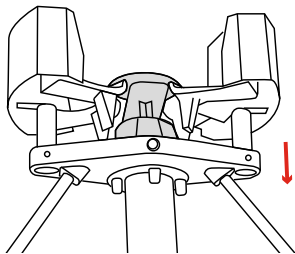
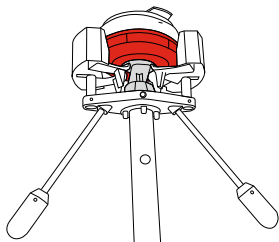
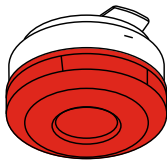
2. Place

Place the dust cover onto the adapter.



3. Secure

Guide the dust cover onto the detector and apply gentle pressure to ensure it is engaged securely.





UK: No Climb Products Ltd
Welham Green, AL9 7JE, UK
Tel +44 (0)1707 282 760

EU: shift-consult Hubert Scherzinger
79108 Freiburg, DE
Tel +49 (0) 7665 91 21 74



support@detectortesters.com