

Flash light - Xenon

Alarm unit

Product datasheet

Features

- 200 output (clear lens)
- Tube life: 5 Mill. Flashes (after which emissions reduced to 70%)
- Reverse polarity protection

Description

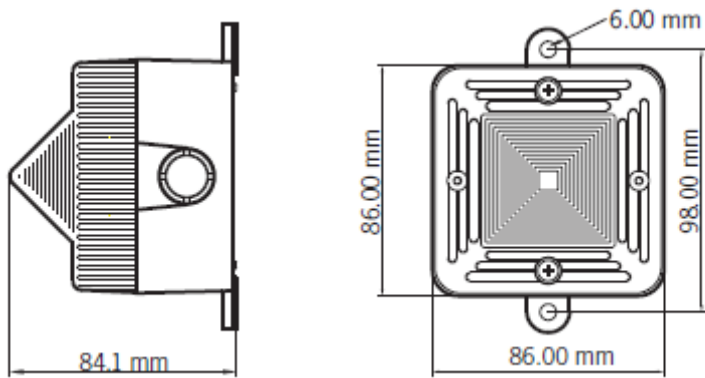
Compact Xenon Flash Light enclosed in an IP66 plastic casing.
Reliable in operation and robust design.
Simple mounting in all relevant directions.



Part number	Description
116-4340-006.0201	Flash Light 24 VDC/300 mA Red
116-4340-006.0202	Flash Light 24 VDC/300 mA Orange
116-4340-006.0203	Flash Light 24 VDC/300 mA Clear
116-4340-006.0204	Flash Light 24 VDC/300 mA Green
116-4340-006.0205	Flash Light 24 VDC/300 mA Blue

Technical specifications	
Voltage	20 - 28 VDC
Luminosity	5 Joule v/ 1 Hz
Flash rate	60/min
Operating temperature	-25 °C to +55 °C
Material	Lens - Polycarbonate Base - ABS
Degree of protection	IP66
Weight	200 gr
Relative humidity	90 % at 20 °C
Cable entry	Ø20, 4 mm (for M20)
Terminals accept	0,5 mm ² to 4 mm ² cables

Dimensions



AUTRONICA FIRE AND SECURITY AS

Head office, Trondheim, NO-7483 Norway Tel: +47 73 58 25 00, fax: +47 73 58 25 01, e-mail: info@autronicafire.no
Oil and Gas division, Stavanger, Norway Tel: +47 51 84 09 00, fax: +47 51 84 09 99
Maritime division, Spikkestad, Norway Tel: +47 31 29 55 00, fax: +47 31 29 55 01

Visit Autronica Fire and Security AS' website: www.autronicafire.com