

Sauna heat detector - SWM-1KL 140

Conventional fire detection systems
Product datasheet

Features

- Heat detector for damp areas, sauna

Description

The SWM-1KL 140 is a fixed-temperature heat detector. It contains a bi-metallic sensor with a contact which closes at alarm temperature, thereby transmitting an alarm signal to the central panel.

The construction and function of the SWM-1KL 140 permit an unlimited number of function tests.

The detector is made for alarm temperature 140 °C.

The detector consists of two main parts:

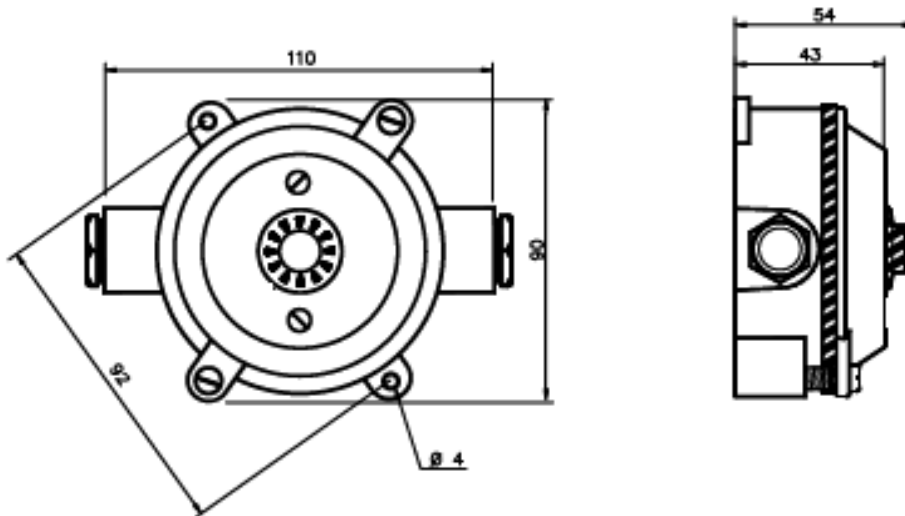
- Junction box with cable inlets and terminals
- Cover with sensor



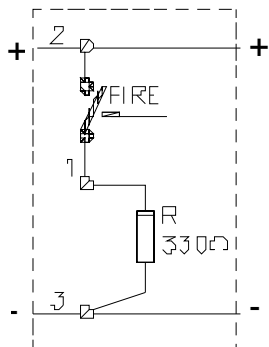
Part number	Description
116-5861-033.0150	Heat detector SWM-1KL 140 °C

Technical specifications	
Detector type	SWM-1KL 140
Weight	250 g
Materials	Aluminium
Colour	Cream
Working voltage	14 VDC \pm 2 V
Current consumption	
Normal	0 mA
Alarm	> 35 mA
Alarm temperature	140 °C
Degree of protection	IP55
Temperature	-10 °C to +110 °C
Cable inlets	2 x \varnothing 18,6 mm
Maintenance	None
Service	Replace at faulty condition

Dimensions (mm)



Connections



NOTE! Alarm resistor 330Ω must be fitted between terminal 1 and 3. See fig.

AUTRONICA FIRE AND SECURITY AS

Head office, Trondheim, NO-7483 Norway Tel: +47 73 58 25 00, fax: +47 73 58 25 01, e-mail: info@autronicafire.no
Oil and Gas division, Stavanger, Norway Tel: +47 51 84 09 00, fax: +47 51 84 09 99
Maritime division, Spikkestad, Norway Tel: +47 31 29 55 00, fax: +47 31 29 55 01

Visit Autronica Fire and Security AS' website: www.autronicafire.com