

CONDUIT BOX - BWP-100

Interactive fire detection systems Product Datasheet

Features

- Designed to protect the connections to detectors in humid environments
- Easy to mount

Description

BWP-100 is a conduit box for installation of detectors in environments that may be humid/wet. The conduit box is designed for use with Autronica's interactive fire detection systems, to make the detector terminals dust and jet proof.

BWP-100 is suitable for use in environments such as engine rooms, workshops, storerooms, etc.

Terminal block with 3 terminals is mounted in the box. One more terminal block may be mounted if needed (optional).

Standard detector base BWA-100 is used for connecting and mounting the detector head.

Versions

- BWP-100/20
Standard version, four knockouts for mounting of M20 cable glands.
Two M20 cable glands (116-6571-011.1920) for 5 - 12 mm wires and two back nuts (116-6531-006.1920) are included with the unit.
- BWP-100/25
Offshore version, four holes, $\varnothing=25$ mm, for mounting of glands or blanks (not included with the unit).
Optional cable gland and nuts: for 13 - 18 mm wires or 17 mm wires

See part numbers listed on next page.



BWP-100/20

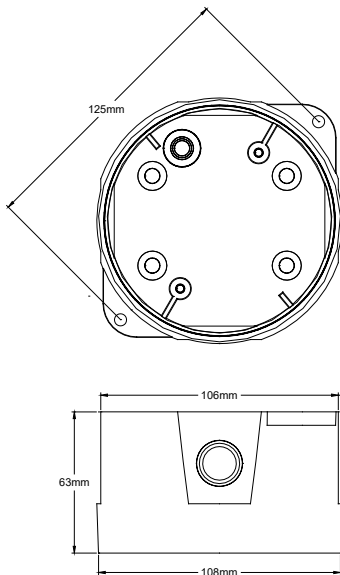


BWP-100/25

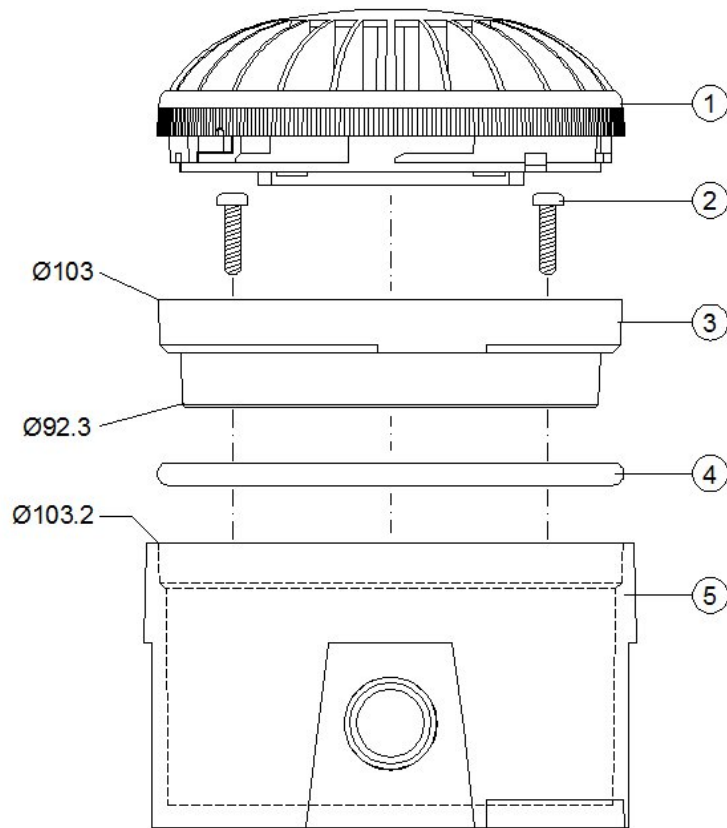
Part Number	Description
116-BWP-100/20	Conduit (Standard version) M20, cable diameter gland 5-12 mm
116-BWP-100/25	Conduit (Offshore version) 4 x M25 holes
Accessories:	
116-6370-008.0032	O-ring N674-70 for IP65
116-7354-040.0001	Spare terminal block with 3 terminals
116-6332-032.1925	Blind plug, M25EEXEIP67 GHG9601952
116-6571-011.1922	Gland PG16, 10-14 mm
116-6571-011.1926	Gland M25, 13-18 mm
116-6571-011.1927	Gland M25, 9-17 mm
116-6531-006.1925	Back nut for gland M25
116-6571-011.1920	Gland M20, for cable 5-12 mm + 116-6531-006.1920 Back nut for gland M20

Technical Specification	
Weight	116-BWP-100/20: 140g 116-BWP-100/25: 172g
Material	Self-extinguishing polycarbonate
Colour	RAL 9010 White
Degree of protection	IP65 (IEC 529) with detector and O-ring (option) IP55 with detector without O-ring
Maintenance	None

Dimensions



Assembly Drawing



- 1) Smoke/Heat Detector
- 2) Screws 3,5x16mm
- 3) Detector Base
- 4) O-ring N674-70
- 5) Conduit Box BWP-100/20