

# AutoSafe/BU-70 interface module - BSL-337

AutoSafe interactive fire detection system  
Product datasheet

## Features

- Enables transmission of alarm messages (detection zone text) from an AutoSafe panel to BU-70 display units and BU-100/BU-101 parallel operation panels
- Presents alarms and prealarms in BU panel displays
- Indication of faults on BU panel LEDs
- Simple and cost effective retrofitting with AutoSafe
- A maximum of 16 BU panels can be connected to an AutoCom port
- Converts AutoCom protocol to ASSP protocol
- DIN rail mounting

## Description

The AutoSafe/BU-70 Interface BSL-337 allows BU panels (BU-70 display units and BU-100/BU-101 parallel operation panels) in existing BS-100 systems to be interfaced to AutoSafe series fire detection panels.

The purpose of the BSL-337 interface is to convert data transmitted from AutoSafe, via a RS232 serial connection using the AutoCom protocol, into the proprietary communication protocol ASSP (Autronica Standard Short Protocol for BU panel communication).

The RS232/20mA current loop converter BSL-12/2 must be used to convert RS232 to 20mA current loop communication.

In a new AutoSafe system installation old BS-100 control panels can thus be removed, while BU panels and existing cabling still can be used. Furthermore, using the BS-100 Loop converter BSD-330 also enables the connection of existing BS-100 loops. This interface solution allows a simple and cost effective retrofitting with AutoSafe.

## Messages transmitted to/from AutoSafe

Alarms, prealarms, more alarms, LED On/Off  
Reset commands (resetting all BU-panel tables and panels).

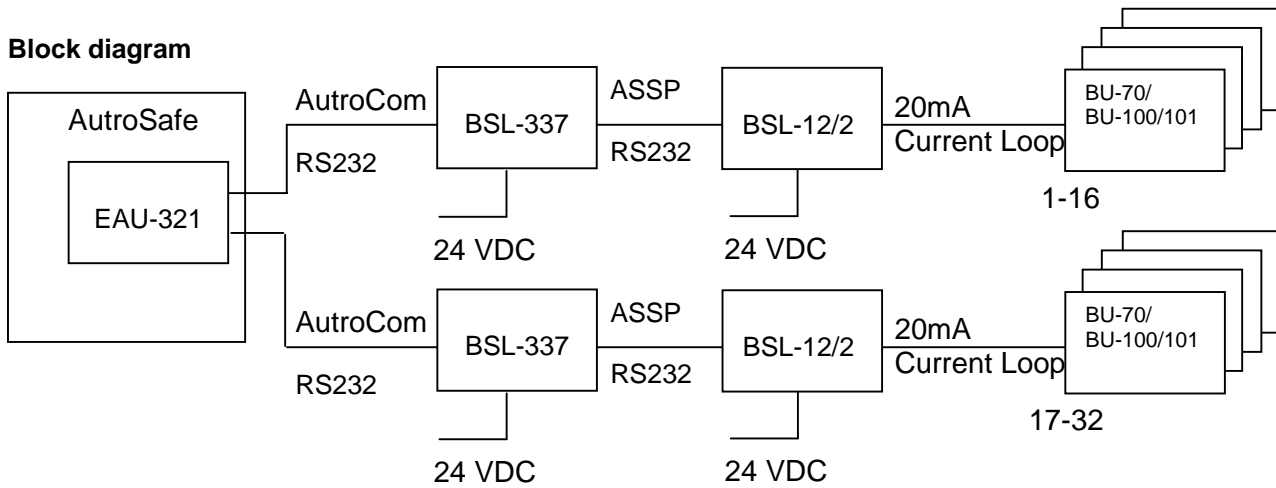
RESET and SILENCE commands can be transmitted from the BU-100 panels (parallel operation panels) to the AutoSafe system by operating the RESET button and SILENCE button (silence alarm) on the BU-100 panel.



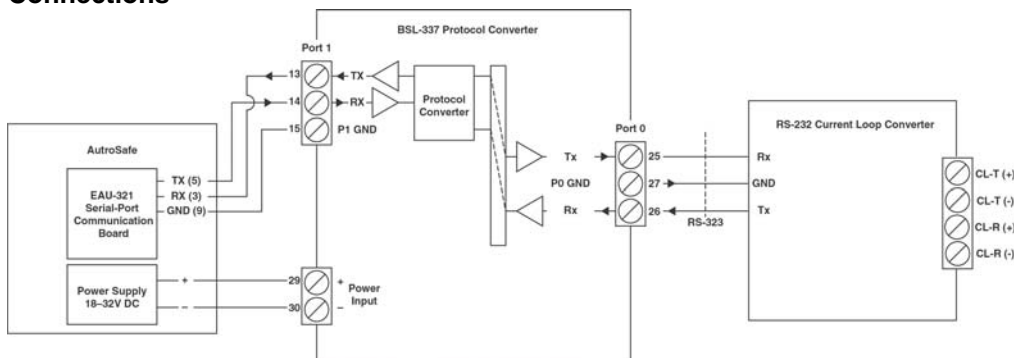
Technical specifications		
<b>Physical</b>		
Dimensions (mm)	114,5 x 120 x 45 (HxDxW)	
Weight	250g	
Mounting	TS-35 DIN rail (internally or externally to AutoSafe panels)	
Materials	PC/ABS	
Colour	Green	
<b>Interface</b>		
Ports	Two asynchronous ports + service port	
BU-70 communication	Port 0 1200 baud	RS232
AutoSafe communication	Port 1 9600 baud, 8, N, 1	RS232
Service PC	Service port 115200 baud, 8, N, 1	RS232
Protocol conversion	Port 0: Autronica Standard Short Protocol (ASSP) Port 1: AutoCom protocol	
Cable terminals	Plug in screw connection, maximum 2.5mm <sup>2</sup> cable	
<b>Interface options</b>		
Port 0 (to BU-70)	RS232 (maximum length 10m)	
Port 1 (to EAU-321)	RS232 (maximum length 10m)	
<b>Power</b>		
Power supply (from AutoSafe)	18 - 32 VDC	
Current consumption	Typically 150 - 200mA @ 24 VDC	
<b>Environmental</b>		
Working temperature	-10+60°C	
Storage temperature	-25+70°C	
Relative humidity (operating and storage)	10-95%, RH (non condensing)	
Degree of protection	IP20	
<b>EMC compliance</b>		
EMC compliance	IEC 60945	
Emissions	EN 50081-2 (94)	
Immunity	EN 50082-2 (95)	



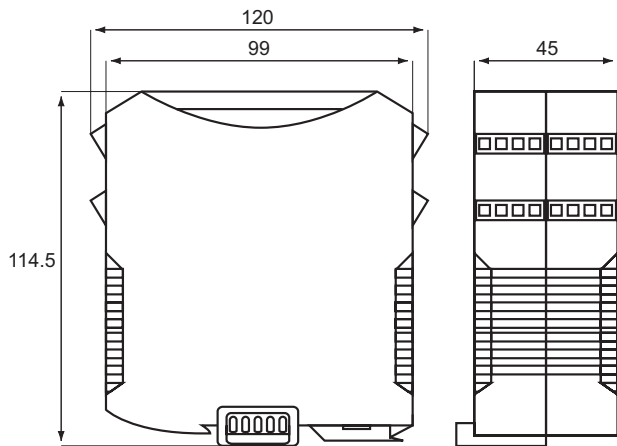
**Block diagram**



**Connections**



**Dimensions**



Terminal	Function	Terminal	Function
1	NC	17	NC
2	NC	18	NC
3	NC	19	NC
4	NC	20	NC
5	NC	21	Service port, TX, RS232
6	NC	22	Service port, RX, RS232
7	NC	23	Service port, RS232, Signal reference
8	NC	24	NC
9	NC	25	Port 0, TX, RS232
10	NC	26	Port 0, RX, RS232
11	NC	27	Port 0, Signal reference
12	NC	28	Port 0, Instrument earth
13	Port 1, TX, RS232	29	+24 VDC input
14	Port 1, RX, RS232	30	0 VDC input
15	Port 1, Signal reference	31	Instrument earth, common
16	Port 1, Instrument earth	32	Protective earth, common

Part number	Description
116-BSL-337	AutoSafe/BU-70 interface module
116-EAU-321*	Serial port communication board
116-BSL-12/2*	RS232/20mA current loop converter

\* See separate datasheet.  
See also datasheets on BU-70 and BU-100/101.

**AUTRONICA FIRE AND SECURITY AS**

Head office, NO-7483 Trondheim, Norway Tel: +47 73 58 25 00, fax: +47 73 58 25 01, e-mail: info@autronicafire.no  
Oil and Gas division, Stavanger, Norway Tel: +47 51 84 09 00, fax: +47 51 84 09 99  
Maritime division, Spikkestad, Norway Tel: +47 31 29 55 00, fax: +47 31 29 55 01

Visit Autronica Fire and Security AS' website: [www.autronicafire.com](http://www.autronicafire.com)