

OPTICAL SMOKE DETECTOR - BH-31A

Analogue addressable fire detection systems Product Datasheet

Features

- Comprises a built-in alarm indicator (LED)
- Proven technology

Applications

Smoke detector for detection of combustion gases, mainly consisting of visible (large) particles. The detector is not influenced by electrical radiance from mobile telephones etc. The standard version and S-version comprise a built-in alarm indicator (LED). For use with Autronica type BS- fire alarm panels.

Principle

Measurement of reflected infrared light in a measuring chamber.

Versions

- BH-31A Standard version
- BH-31A/EXN Ex ic detector for use in zone 2
- BH-31A/S Version with extra high sensitivity*
- BH-31A/EX Ex ia version for use in zone 1 or zone 2*
- BH-31A/S/EX Ex ia version for use in zone 1 or zone 2 with extra high sensitivity*

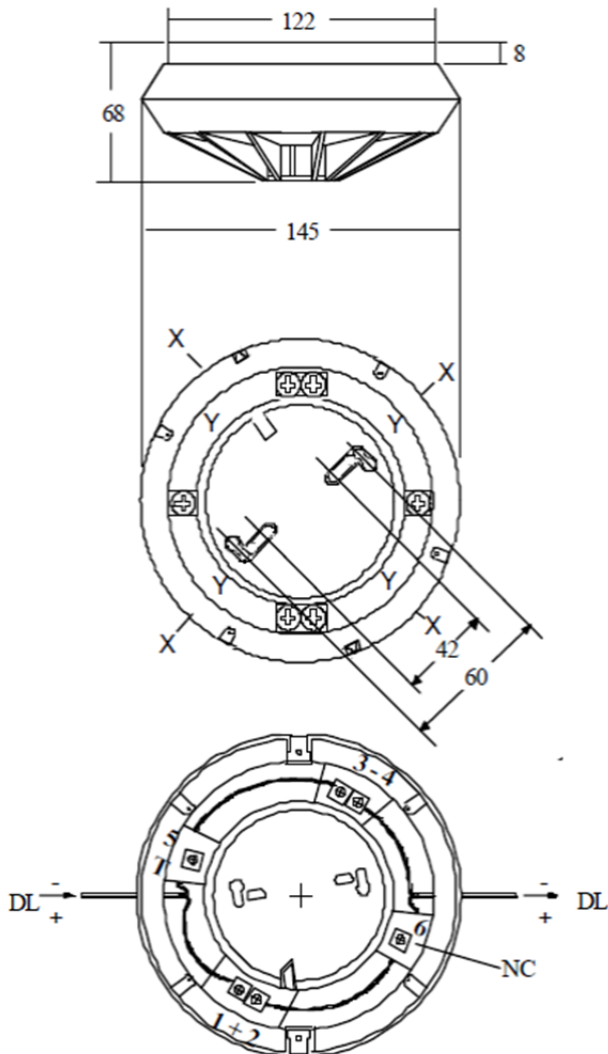
*See separate datasheet



Technical specifications	
Weight	280 g
Materials	Self-extinguishing polycarbonate
Colour	Light grey
Sensitivity	Acc. to EN 54 part 7/9
Voltage	14 V DC \pm 2 V
Current consumption	
Stand by:	0,3 mA
ext. alarm indicator:	Max. 6 mA
Environm. requirement	EN 54 part 7, EN 50130-4
Degree of protection	IP44D
Working temperature	- 20 °C - + 70 °C
Humidity (non-condensing)	Max. 90% RH
Service	Replace if faulty
CPD certificate	1134-CPD-015

Product Name	Part number	Description
BWA-40A/1	116-BWA-40A/1	Socket (Base)
BHH-31A	116-BHH-31A	Detector head

Dimensions (mm)



Connections

See terminal connections on the dimension drawing.

1+2. Common + in/out

3+4. Common - in/out

5. Alarm indicator (T)