

# MANUAL CALL POINT WITH SELFVERIFY - BF-502/N

## Interactive fire detection systems Product Datasheet

### Features

- Break glass unit for use in harsh environmental conditions
- Weather proof
- Corrosion resistant GRP
- Protection degree IP66
- Short circuit isolator in each unit
- Automatic addressing
- Proven technology
- With SelfVerify function for reduced maintenance/testing and increased reliability
- Designed to meet the requirement of the major maritime classification societies

### Description / Application

BF-502/N is a manual call point designed for use with Autronica's interactive fire detection systems, and comprises the SelfVerify function. This function ensures the highest grade of reliability and the lowest degree of manual testing, because all units comprising this function are automatically self-tested once every 24 hours. The high IP degree and mechanical strength of the enclosure makes the call point suitable for outdoor applications in industrial, maritime and offshore installations.

The call point is for use in hazardous area zone 2. It must be connected to a loop driver approved for zone 2.

The call point must be installed according to local regulations, which normally means along escape routes, landings and exits.

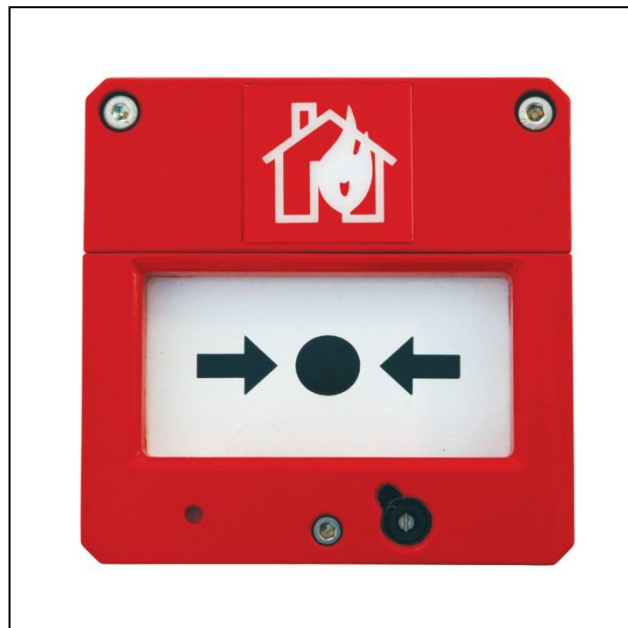
### Principle

Break glass operation, releasing alarm switch.  
Reset when a new glass is mounted.

SelfVerify: the call point's ability to initiate alarms is regularly checked.

#### Related Drawing

No modifications permitted  
without reference to  
Ex Responsible




### Versions

- BF-502\* Manual call point with SelfVerify
- BF-502/EX\* Manual call point with SelfVerify.  
Ex ia version for use in zone 0, 1 and 2
- BF-502/N Manual call point with SelfVerify.  
Ex ic version for use in zone 2 only

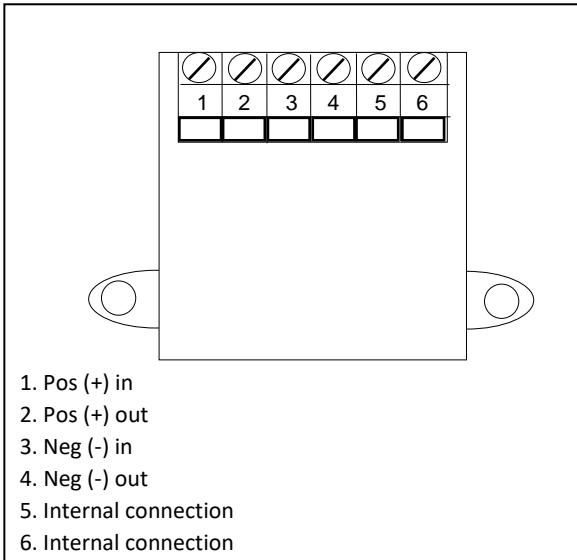
\* See separate data sheet

Product Name	Part number	Description
BF-502/N	116-BF-502/N	Manual call point with 2 glands (type 116-6571-011.1920)
<b>Accessories</b>		
	116-6571-011.1920	GLAND ST M20X1,5 PG13,5 (1 pcs)
	116-4890-021.0001	Lift flap PC
	116-4890-021.0010	Lift flap SS
	116-4860-009.9905	Test key

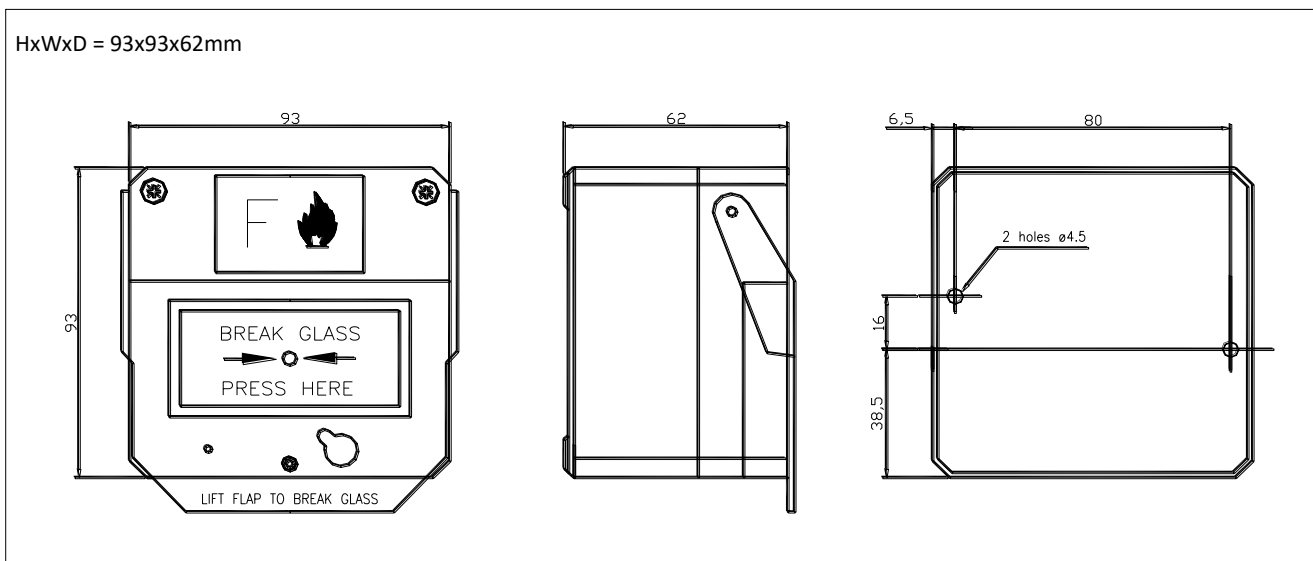
<b>Technical specifications</b>	
Weight	0,5 kg
Material	Glass reinforced polyester
Colour	Red
Voltage	10 - 27 VDC
Current consumption stand by	0,3 mA
Environm. requirement	EN 54
Degree of protection	IP66*
Working temperature	-25 - +70 °C
Storage temperature	-55 - +70 °C
Cable inlets	2 x M20
Maintenance	Replace broken glass
Service	Replace if faulty
Certificates	See website
Notified body	Nemko ID No. 0470 CSA
Type examination certificate	NEMKO 03ATEX217X IECEX NEM 11.0017X
Directives and standards	Refer to Doc-1004552 (Schedule drawing: "Control Drawing/User Manual/Technical Specifications and Instructions") where this information is listed. A link to this document is included on the product page for this product at <a href="http://www.product.autronicafire.com">www.product.autronicafire.com</a> .
Approvals	<a href="http://www.autronicafire.com">www.autronicafire.com</a>
Ex parameters	 II 3G Ex ic IIB T4 Gc Class I, Zone 2, AEx ic IIB T4 Gc <b>Warning: Do not rub.</b>

\*requires approved cable glands and/or plugs of minimum the same IP level.

## Connections



## Dimensions



**Control drawing**

