

MANUAL CALL POINT W/SELFVERIFY - BF-500V2/EX

Interactive fire detection systems
Product Datasheet

Features

- Automatic addressing
- Maximum 3-second response time
- Can be tested by means of a special testkey
- With the SelfVerify function
- For outdoor use
- Short-circuit isolator in each call point
- Resettable plastic element
- Designed to meet the requirement of the major maritime classification societies
- Approved according to EN 54-11 and EN 54-17

Description / Application

BF-500V2/EX is a manual call point for use in hazardous area zone 0,1 or 2. It must be connected to the approved AutoSafe barrier BZ-500.

The call point is designed for use with Autronica's interactive fire detection systems, and comprises the SelfVerify function. This function ensures the highest grade of reliability and the lowest degree of manual testing because all units comprising this function are automatically self-tested once every 24 hours.

The call point must be installed according to local regulations, which normally means along escape routes, landings and exits.

Principle

- Press white plastic element. Resettable by means of dedicated test key.
- Optional: Break glass element. Resettable by mounting new glass element.

SelfVerify: the call point's ability to initiate alarm is regularly checked.

Related Drawing

No modifications permitted
without reference to
Ex Responsible



Versions

- BF-300V2* Manual call point with SelfVerify
- BF-300M* Manual call point with SelfVerify, with metal mounting box and cable glands.
- BF-500V2/EX Manual call point with SelfVerify. Ex ia version for use in zone 0, 1 and 2
- BF-500V2/N* Manual call point with SelfVerify. Ex ic version for use in zone 2 only

* See separate datasheet

Installation

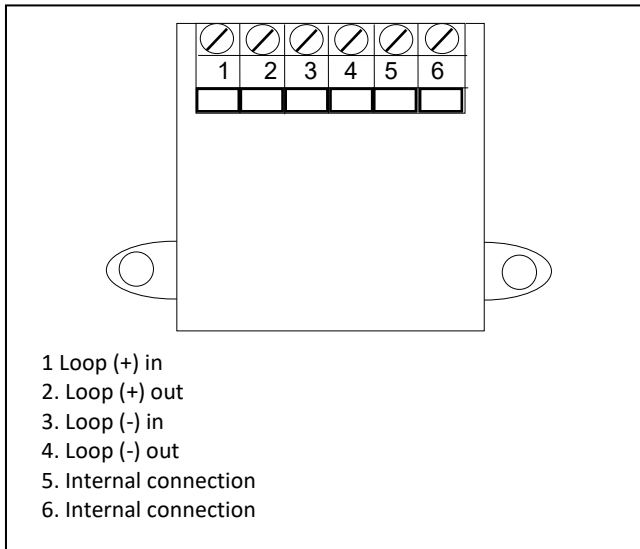
The back box is provided with three knockouts for M20 cable glands, two at the top and one at the bottom.

The recommended mounting of the backbox to the wall is by using the provided mounting ears, this will ensure the Ingress Protection. If holes are made in the back box, they need to be sealed to ensure that ingress protection is maintained.

Technical specifications	
Weight	160 g
Material	ABS
Colour	Red
Voltage	Maximum 15,75 VDC
Current consumption, stand by	0,3 mA
Degree of protection	IP 65
Working temperature	-20 °C - + 70 °C
Storage temperature	-55 °C - + 70 °C
Humidity (non-condensing)	Max. 95 % RH
Service	Replace if faulty
EN54 certification	EN 54-11:2001/A1:2005 EN 54-17:2005/AC:2007
Notified body	Nemko ID No. 0470 CSA
Type examination certificate	NEMKO 03ATEX218X IECEX NEM 11.0009X
Directives, standards and Ex parameters	Refer to Doc-1003606 (Schedule drawing: "Control Drawing/User Manual/Technical Specifications and Instructions") where this information is listed. A link to this document is included on the product page for this product at www.product.autronicafire.com .
Approvals	www.autronicafire.com

Product Name	Part number	Description
BF-500V2/EX	116-BF-500V2/EX	Manual call point with SelfVerify
Accessories		
	116-4860-011.0100	Polycarbonate cover
	116-BFG-3/PACK	Glass element, pack of three

Connections



Dimension Drawing (mm)

