

# Heat detector - BD-200

Interactive fire detection systems  
Product datasheet

## Features

- Interactive
- Plug-in detector head
- Heat detector intended for use in dry areas
- Short circuit isolator in each detector
- Conforms to EMC directive
- Comprises a built-in alarm indicator (LED)
- Automatic addressing
- Proven technology
- Configurable to class A1, A1R, A2S, B, C
- Not influenced by dust, humidity, exhaust gases, electromagnetic fields such as radio transmitters, cellular telephones, etc.
- EN 54-5/EN 54-17
- Designed to meet the requirement of the major maritime classification societies

## Applications

BD-200 is a point heat detector for detection of rise in environment temperature caused by a fire. The detector is designed for use with Autronica's interactive fire detection systems.

BD-200 is often used in areas where the environment is likely to produce false/unwanted alarms from smoke detectors such as:

- Kitchens
- Galleys
- Bathrooms
- Boiler rooms
- Workshops, etc.

## Principle

Temperature measurement by means of a thermistor for registration and reading of temperature at the detector point. Alarms at temperature according to configured class (Ref. table 1).



## Versions

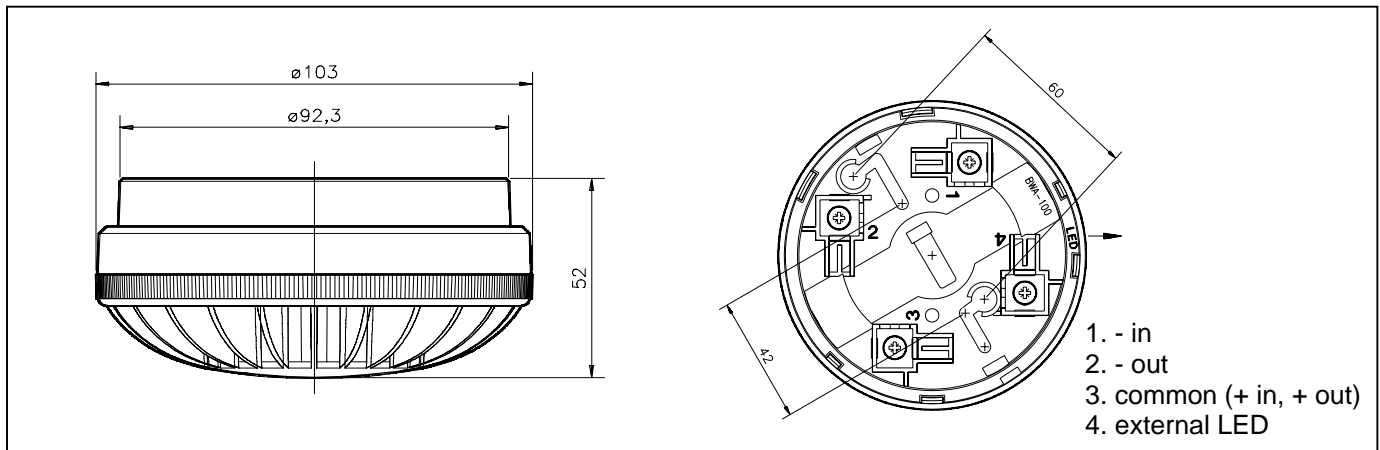
- BD-200 Heat detector without SelfVerify
- BD-300\* Heat detector with SelfVerify
- BD-500\* Heat detector with SelfVerify, environmentally protected
- BD-500/Ex\* Heat detector with SelfVerify, EExia-version for use in all zones

\* See separate data sheet

Technical specifications	
Weight	140 g
Materials	PC/ABS
Colour	Light grey
Sensitivity	Ref. table 1
Voltage	10 – 27 VDC
Current consumption	
Stand by:	< 0,3mA
External alarm indicator:	6mA
CPD certificate	1134-CPD-018
Degree of protection	IP44D
Working temperature	-20 - +80°C
Storage temperature	-55 - +80°C
Max. application	Ref. table 1
Humidity (non condensing)	Max. 95%
Maintenance	None
Service	Replace if faulty
Approvals	See web site



## Dimensions/Connections



## Use of LED output

When LED or other equipment is connected to the LED output, a varistor - Siemens SIOVS07K25 (39V) - Autronica part. no. 116-8464-003.5039, is required between terminals 1 and 4 in base.

The LED is connected between terminals 3 and 4, terminal 3 being the positive terminal.

Table 1

Detector class	Typical application temperature °C	Maximum application temperature °C	Minimum static response temperature °C	Maximum static response temperature °C
A1	25	50	54	65
A1R*	5	50	54	65
A2S*	25	50	54	70
B	40	65	69	85
C	55	80	84	100

\* R= Rate of rise.

\* S= (Slow) Does not respond below the minimum static response temperature.

*Note: The detector may give prewarning on a temperature below the max. application temperature.*

Part number	Description
116-BWA-100	Detector base
116-BDH-200	Detector head
116-BWP-100/20	Optional conduit box for M20 glands
116-BWP-100/25	Optional conduit box for M25 glands
116-BBR-52	Optional audible indicator – SmartBuzzer

## AUTRONICA FIRE AND SECURITY AS

Head office, Trondheim, Norway Tel: +47 73 58 25 00, fax: +47 73 58 25 01, e-mail: info@autronicafire.no  
 Oil and Gas division, Stavanger, Norway Tel: +47 51 84 09 00, fax: +47 51 84 09 99  
 Maritime division, Spikkestad, Norway Tel: +47 31 29 55 00, fax: +47 31 29 55 01

Visit Autronica Fire and Security AS' website: [www.autronicafire.com](http://www.autronicafire.com)