

Features

- Low current consumption
- No adjustment
- High sound level
- IP 42
- Simple installation

Applications/Description

The alarm bell BBR-25 is a larger bell for installation in corridors and large rooms. The bell has a sound output of 95 dBA at 1 metre.

No adjustment of the bell is required.
Low current consumption.

Principle

Centrifugal bell, driven by a DC-motor.

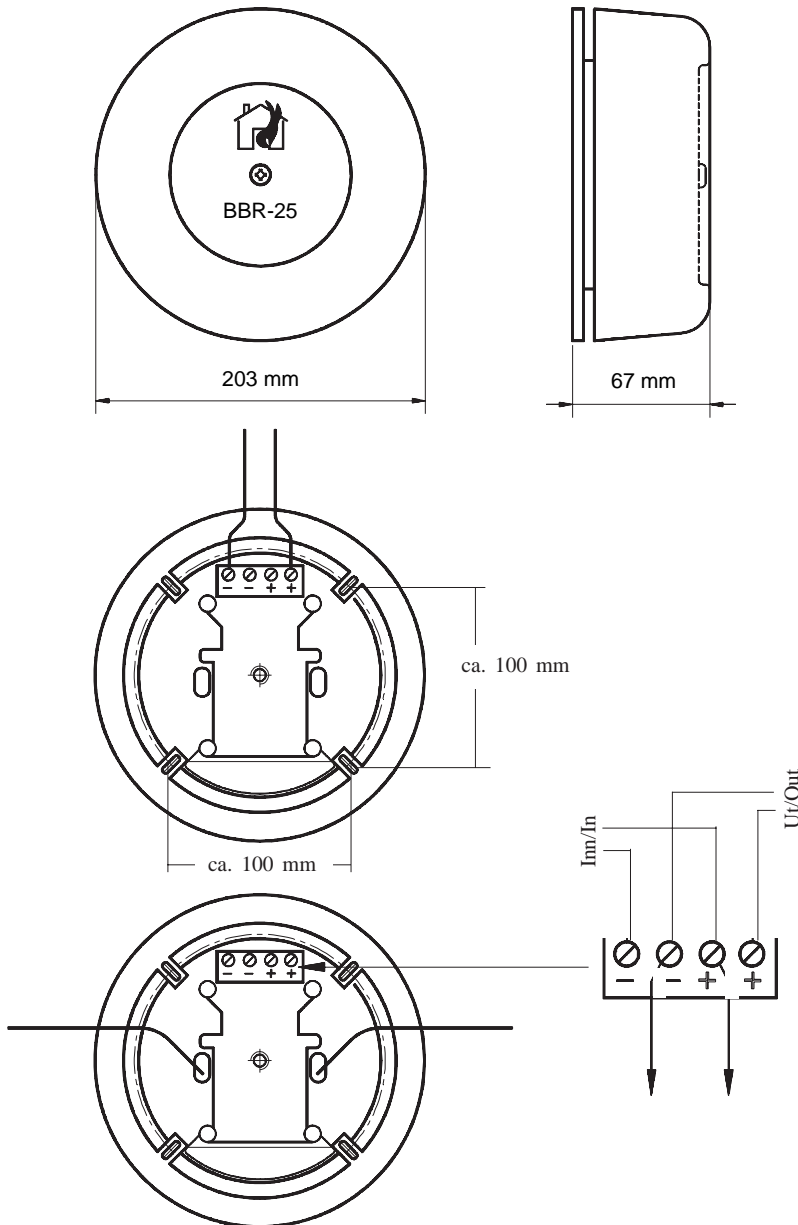
Note! Delivered with built-in series diode.
The alarm line is monitored with reversed polarity.
The monitoring resistor must be connected across terminals on the bell farthest from the panel.



Part number	Description
116-BBR-25	Alarm bell 20 cm

Technical specifications	
Consist of	Base plate Gong
Weight	1,7 kg
Materials:	
Gong	Red steel
Base plate	Black polycarbonate
Working voltage, nominal	18-30 V DC
Current consumption, nominal	28 mA
Sound output	95 dBA / 1 m
Degree of protection	IP 42
Working temperature	-10°C to +55°C
Humidity	Max. 90 % R.H.
Maintenance	None
Service	Replace if faulty

Dimensions and connection

**Mounting:**

1. Remove the gong.
2. **Fixing the standard box:**
Insert cables through entries provided in base plate before fixing.
- Fixing to wall:**
Use knockout provided at top of base plate.
3. Connections: Two in, two out for connection in series.
Note! Polarity dependent.
4. Refit the gong.

AUTRONICA FIRE AND SECURITY AS

Fire and Security, Trondheim, Norway Phone: +47 73 58 25 00, Fax: 73 58 25 01, e-mail: info@autronicafire.no

Oil and Gas, Stavanger, Norway Phone: +47 51 84 09 00, Fax: +47 51 84 09 99

Maritime division, Spikkestad, Norway Phone: +47 31 29 55 00, Fax: +47 31 29 55 01

Visit Autronica Fire and Security AS' website: www.autronicafire.com