

SOUNDER INDOOR ADDRESSABLE - BBR-230

Interactive fire detection systems Product Datasheet

Features

- Sounder intended for indoor use
- Connects directly to the detection loop
- no extra wiring needed
- Automatic addressing
- Configurable sound pattern
- Used with interactive fire detection systems
- High/low volume setting
- Short circuit isolator in each unit

Application / Description

BBR-230 is an addressable sounder that is connected directly to the detection loop. The standard version is designed for indoor applications (degree of protection IP42).

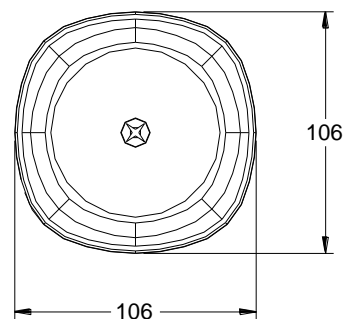
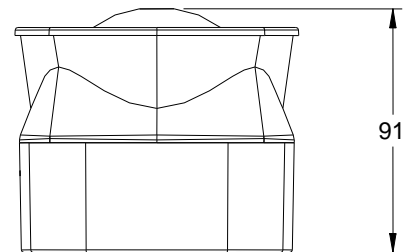
The sounder provides different advanced sound patterns according to configuration.

All sounders within the same loop will have synchronized sound outputs, so two sounders located near each other will be perceived as one.

The maximum number of sounders on a detection loop must be calculated according to the limitation of the system in question.



Dimensions



Part number	Description
116-BBR-230	Sounder Indoor Addressable
116-BBR-230/W	Sounder Indoor Addressable, White

Technical specifications	
Appearance	
Weight	193,5g
Main body colour (RAL no.)	Red 21-0301, Hvit
Finish	Polished
Material type	ABS FR and PC
Installation	
Total cable qty / type / size	4 x 0.5 to 2.5mm ² MICC
I.P. rating	IP42
Operating conditions	
Voltage range (/s)	17 - 25VDC
Current - Alarm total	Sounder LP: 2,18mA Sounder HP: 4,44mA Peak current: 5mA
Current - Quiescent	330uA
Temperature range	-15 to +70 C
Humidity range	Relative humidity 0% to 90% non-condensing
Sound performance	
Operational performance	Ref. AFS doc. BB-212
SPL @ 1m	Max=100dB(A) +/-3 (17-25V)
Low volume setting	Low volume=90dB +/-3
Volume selection method	Configurable
Synchronisation	Yes - Panel Control
Tones list / Details	See configuration manual for panel
Tone selection method	Configurable
Address function	
Address setting method	Software
Approvals	
Refer to https://product.autronicafire.com/products/	