

SOUNDER/OPTICAL INDICATOR w/base - BBQ-130

Interactive fire detection systems Product datasheet

Features

- Sounder/optical indicator with base intended for indoor use
- Connects directly to the detection loop - no extra wiring needed
- Automatic addressing
- Configurable sound pattern
- High sound output
- Used with interactive fire detection systems
- High/low volume setting
- Short circuit isolator in each unit

Application/Description

BBQ-130 is a combined detector base and addressable sounder/indicator that is connected directly to the detection loop. The standard version is designed for indoor applications (degree of protection IP22).

The sounders/indicators provide different advanced sound patterns according to configuration.

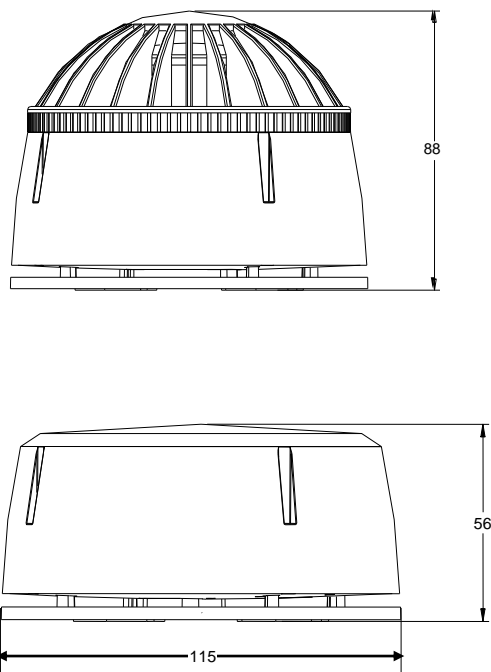
All sounders/indicators within the same loop will have synchronized sound outputs, so two sounders located near each other will be perceived as one.

The maximum number of sounders/indicators on a detection loop must be calculated according to the limitation of the system in question.

The total height depends on the detector type. Detector not included.



Dimensions



Technical specifications	
Appearance	
Weight	237 g
Colour (main body)	Transparent
Lens colour	Transparent
Finish	Polished
Material	ABS FR / Polycarbonate
Installation	
Total cable qty / type / size	4 x 0.5 to 2.5mm ² MICC
I.P. rating	IP22
Detector lock to socket	Yes
Operating conditions	
Voltage range (/s)	17 - 25VDC
Current - Alarm total	Indicator only: 4,56mA Sounder LP: 2,15mA Sounder HP: 4,3mA Peak current (sounder + strobe): 8,56mA
Current - Quiescent	260uA
Conventional / addressable	Addressable
Temperature range	-15 to +70 C
Humidity range	Relative humidity 0% to 90% non-condensing

Sound performance	
Operational performance	Ref. AFS doc. BB-212
SPL @ 1m	Max=90dB(A) +/-3 (17-25V)
Low volume setting	Low Volume=80dB +/-3
Volume selection method	Panel
Synchronisation	Yes - Panel control
Tones list / details	See configuration manual for panel
Tone selection method	Panel
Light performance	
Flash power / light output	2 candela (spread around 360deg) @ 24V
Spatial distribution	360 degrees
Flash rate /s	1Hz
Synchronisation	Yes - Panel control
Source / colour	Red / LED
Address function	
Address setting method	Software
Approvals	
Refer to http://product.autronicafire.com/products/	

Part number	Description
116-BBQ-130	Sounder/Optical Indicator w/base
116-BW-227	Dome cover for detector base
116-BW-240	Deep mount plate base

